

preliminary data sheet



Product description

LED-display in wall mounted housing for visualization of standard flow volume and standard flow velocity with totalizer at any place on site.

Applicable with all SCHMIDT® flow sensors as well as with other sensors (i.e. pressure, temperature).

Small wall-mounted housing with hinge lid and cable glands.

Membrane key pad for operation and programming

Applications

- **Measurement of compressed air consumption**
- **Building automation and air condition**
- **Exhaust systems and gas consuming processes**

Product advantages

- **Quick and easy installation**
- **Power supply with standard voltage (i.e. 230 VAC)**
- **Supply of attached sensor**
- **Very simple programming of volume flow**
- **Separate version with totalizer and 2nd measuring input**
- **Analog output scalable**
- **Applicable with different analog signals:
0 ... 20 mA, 4 ... 20 mA or 0 ... 10 V**
- **Two programmable relay outputs**
- **Rugged plastic housing (IP 65)**

Programmable settings

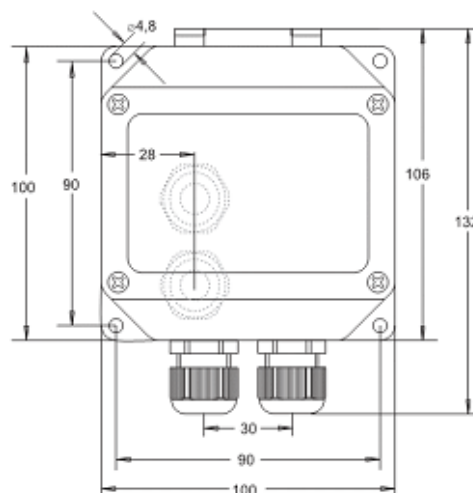
These settings can be adapted:

- Display brightness
- Memory reset
- Switching point of alarm
- Signal input scalable
- Damping
- Decimal place
- Initial and final value of analog output
- Password

Technical Data

Display	LED red, 14,2 mm high, 6-digits Add-on display: 2-digits, 7 mm
Analog inputs	1 x 0 ... 20 mA or 4 ... 20 mA or 0 ... 10 V (Basis) 2 x 0 ... 20 mA or 4 ... 20 mA or 0 ... 10 V (Totalizer)
Analog output	1 x 4 ... 20 mA or. 0 ... 10 V
Relay outputs	2 x Relay 250 VAC, 2A
Supply voltage U_b	24 VAC/DC – 230 VAC, 50 ... 60 Hz
Supply sensor	24 VDC, 160 mA
Operating temperature	-20 ... +60 °C
Electrical connection	Spring terminal, 2mm ² , single wire
Material housing	Polyamide, glass fibre reinforced
Storage temperature	-40 ... +70 °C
Humidity range	0 ... 75 % r.h.
Power drain	3,5 VA
Protection class	IP 65
Weight	Ca. 500 g

Physical dimensions



Ordering Information

Description	Article number
LED display in wall mounted housing for visualization of standard flow, volume and standard flow velocity and power supply of the attached sensor	527 320
LED display in wall mounted housing as 527 320, but with additional totalizer and 2 nd . Measuring input.	527 330