

Certified according to DIN EN ISO 9001

Technical Datasheet



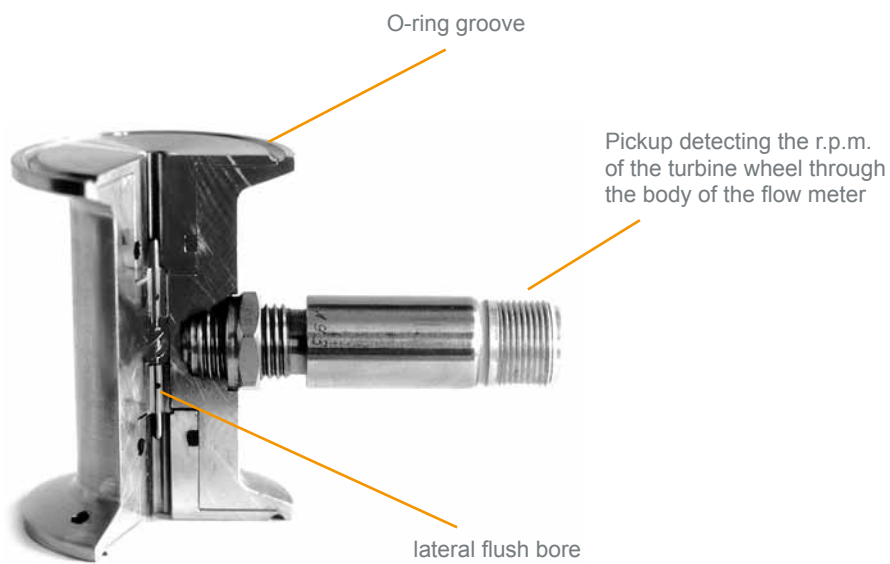
HM...FT

Turbine Flow Meters for pharmaceutical Applications

Description

For sanitary and purity reasons HM...FT meters have the following features:

- Threadless tube fittings type »Tri-Clamp« as per DIN 32676
- Special design eliminating dead spot
- Slide bearings with lateral bores to enable flush processes



Technical Data

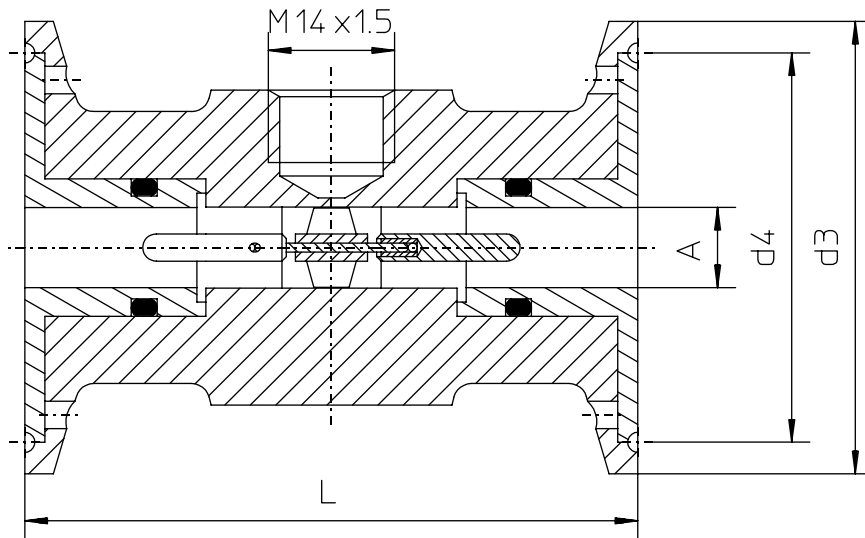
Type	Measuring range, ltr./min	K-Factor*, pulses/ltr.	Frequency range*, in Hz
HM 3 FT	0.3 up to 1.5	32,000	1,000
HM 3/4 FT	0.5 up to 4	24,000	1,250
HM 5 FT	0.8 up to 6	17,800	1,740
HM 5/10 FT	1.2 up to 10	11,000	1,750
HM 7 FT	2.0 up to 20	3,200	1,800
HM 9 FT	3.3 up to 33	1,900	2,400
HM 11 FT	6.0 up to 60	1,300	2,800
HM 13 FT	8.5 up to 85	900	3,000
HM 17 FT	12 up to 120	380	1,600
HM 19 FT	15 up to 150	310	1,600
HM 22 FT	20 up to 200	217	1,600
HM 24 FT	25 up to 250	170	2,000
HM 28 FT	30 up to 360	155	2,000
HM 30 FT	35 up to 400	130	1,850

* Average values, individual K-factors can be taken from calibration records

Linearity:	±2.0% of actual flow
Repeatability:	±5%
Pressure:	max. 16 bar
Temperature:	up to +150 °C
Material:	Housing: stainless steel as per DIN 1.4571 (AISI 316 Ti) Internal parts: stainless steel as per DIN 1.4571 (AISI 316 Ti) Wheel: stainless steel as per DIN 1.4460 (AISI 329) Bearings: Teflon

The principle corresponds to our standard turbines type HM...F and HM...E.

Dimensional Drawing (mm)



Type	DN	A	L*	d3	d4
HM 3 FT	25	4	68	50.5	43.5
HM 3/4 FT	25	4	68	50.5	43.5
HM 5 FT	25	5	68	50.5	43.5
HM 5/10 FT	25	5	68	50.5	43.5
HM 7 FT	25	7	68	50.5	43.5
HM 9 FT	25	9	68	50.5	43.5
HM 11 FT	25	11	68	50.5	43.5
HM 13 FT	40	13	150	50.5	43.5
HM 17 FT	40	17	150	50.5	43.5
HM 19 FT	40	19	150	50.5	43.5
HM 22 FT	50	22	197	64	56.5
HM 24 FT	50	24	197	64	56.5
HM 28 FT	50	28	197	64	56.5
HM 30 FT	50	30	197	64	56.5

* Dimension L, d3 and d4 as per DIN 32676

Contact worldwide

KEM-Headquarter

Liebigstraße 2
D-85757 Karlsfeld
T. +49 8131 5 93 91 - 0
F: +49 8131 9 26 04
info@kem-kueppers.com

KEM-Office West

Im Langen Hahn 44
D-58515 Lüdenscheid
T. +49 2351 9 78 80
F: +49 2351 9 78 83 1
kem-west@kem-kueppers.com

KEM-Office South

Dahlienweg 35
D-73765 Neuhausen
T. +49 7158 98 56 82
F: +49 7158 98 56 83
kem-sued@kem-kueppers.com

Denmark

E. Eberhardt ApS
Bygstubben 6
DK-2950 Vedbæk
T. +45/45/89 33 66
info@eeberhardt.dk

Norway

Flow Teknikk as
Olav Brunborgsv. 27, Postboks 244
N-1377 Billingstad
T. +47/66/77 54 00
mail@flow.no

Singapore

Polyquip Engineering Pte Ltd
Blk 20 Woodlands Link #08-12
Woodlands East Industrial Est.
SGP- 738733 Singapur
T. +65/6753/79 97
sales@polyquip.com.sg

China

KEM China
Mr. Xiao Tianxiang
Rm.2429, JinYuan Office Building, No. 36,
CN- BeiYuan Road, Beijing 100012
T. +86/10/52 00 37 38
Shaw@kem-kueppers.com

Poland

Newtech Engineering
ul. Sowinskiego 3
PL-4-100 Gliwice
T. +48/32/237 61 98
newtech@newtech.com.pl

Slovakia

Bibus SK, s.r.o.
Priemysel'na 4
SK-949-01 Nitra
T. +421/377/41 25 25
gyenes@bibus.sk

Finland

Wexon Oy
Juhanilantie 4
FI-01740 Vantaa
T. +358/9/29 04 40
wexon@wexon.com

Portugal

Contimetra Departamento Indústria
R. Braamcamp 88-40 Dt0
P-1269-020 Lisboa
T. +351/213/86 05 00
contimetra@contimetra.com

Spain

Ortrat S.L.
Calle La Sofora 13 + 15
ES-28020 Madrid
T. +349/1/57 91 60 6
ortrat@ortrat.es

United Kingdom & Eire

KEM Küppers UK
2 Highfield Drive
Ickenham Uxbridge
UB10 8AL England
T. +44/1895/23 35 52
hans.rader@kueppers.co.uk

Russia

Michael Dueck
Industrievertretungen und Vertrieb
St.-Vither-Str. 12
D-50171 Kerpen
T. +49/2237/67 91 88
info@m-dueck.de

Taiwan

Yuden Electric Co.,Ltd
Taiwan Headquarter
5F, No.121, Li De ST, JHONGHE TAIPEI
COUNTY 235, Taiwan ROC
T. +886/2/82 21 29 58
sales@yuden.com.tw

Hong Kong Area

Asia Technology and Instrument Ltd.
Unit 5, 9/F., Free Trade Centre
49 Tsun Yip Street, Kwun Tong
HK-Kowloon
T. +85/227/16 55 56
ati@ati.com.hk

Sweden

Pentronic AB
SE-590 93 Gunnebobruk
T. +46/490/25 85 00
info@pentronic.se

United States of America

AW-LAKE Company
Electronics for Instrumentation
8809 Industrial Dr.
Franksville, WI 53126, USA
T. +1/262/88 49 80 0
sales@aw-lake.com

Italy

Ingg. Vigo e Cova SAS
Piazzale Segrino 6/a
I-20159 Milano
T. +39/02/668 82 02
vigo.cova@vigocova.com

www.kem-kueppers.com
info@kem-kueppers.com