

Certified according to DIN EN ISO 9001

## Technical Datasheet



## ZHM...KL Series Gear Flow Meters

Application .....	3
Technical Data .....	3
Pickups .....	4
Dimensional Drawings .....	5

# Index

Index

### Technical Data

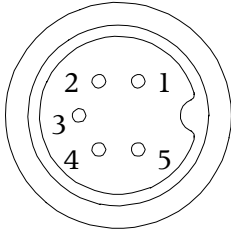
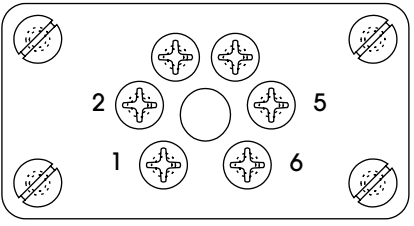
Type	Measuring Range, ltr./min	K-Factor*, pulse/ltr.	max. pressure bar	Weight kg
ZHM 01/KL	0.02 up to 3	14,000	630	1.3
ZHM 02 KL <sup>1)</sup>	0.1 up to 7	4,200	630	2.2
ZHM 03 KL	0.5 up to 25	1,740	630	2.9
ZHM 04 KL	0.5 up to 70	475	630	8.5
ZHM 05 KL	5 up to 150	134	400	23.0
ZHM 06/1 KL	5 up to 250	106	400	27.0
ZHM 06 KL	20 up to 500	53	400	52.0
ZHM 07 KL	50 up to 1.000	24	400	66.5

\*Mean figures with single pickup type VTE\*/P. A new centre pickup is available to improve the resolution. All pickups maybe supplied in IS-approved design complete off intrinsically safe power supply and separation amplifier type EWS.

Materials	housing: stainless steel as per DIN 1.4305 (cf. AISI 303) gears: stainless steel as per DIN 1.4122 (cf. AISI 303) seals: O-rings: viton or teflon bearings: ball bearings
-----------	--

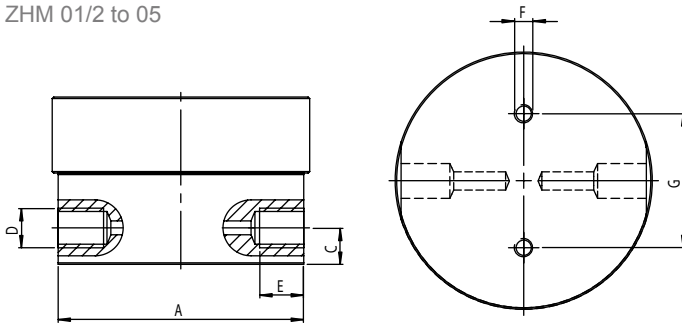


Pickups

<b>VTE*/P EX ATEX Pickup</b>		
Supply Voltage	8.5 to 29 VDC, controlled	
Frequency range	2 up to 4,000 Hz	
Output	Square wave signal, push pull or open collector passive	
Ambient temperature	-40 up to +50°C	
Fluid temperature	max. +120/150°C (as per height)	
Ex approval as per ATEX	EX II 2 G EEx ia IIC T4	
Electrical connection	5-pin plug 1 = Supply voltage 2 = Output signal push pull 3 = 0V/GND 4 = OC Collector 5 = OC Emitter	
<b>VTM Local Display EX ATEX</b>		
Supply Voltage	14 to 30 V DC; controlled	
Frequency range	2 up to 4,000 Hz	
Output	4 to 20 mA and frequency output	
Ambient temperature	-40 up to +60°C	
Fluid temperature	max. +120°C	
Ex approval as per ATEX	EX II 2 G EEx ia IIC T4	
Electrical connection	6-pin junction box 1 = Supply voltage 2 = Frequency Output 3 = 0V/GND 4 = -IA 5 = +IA 6 = Shield	

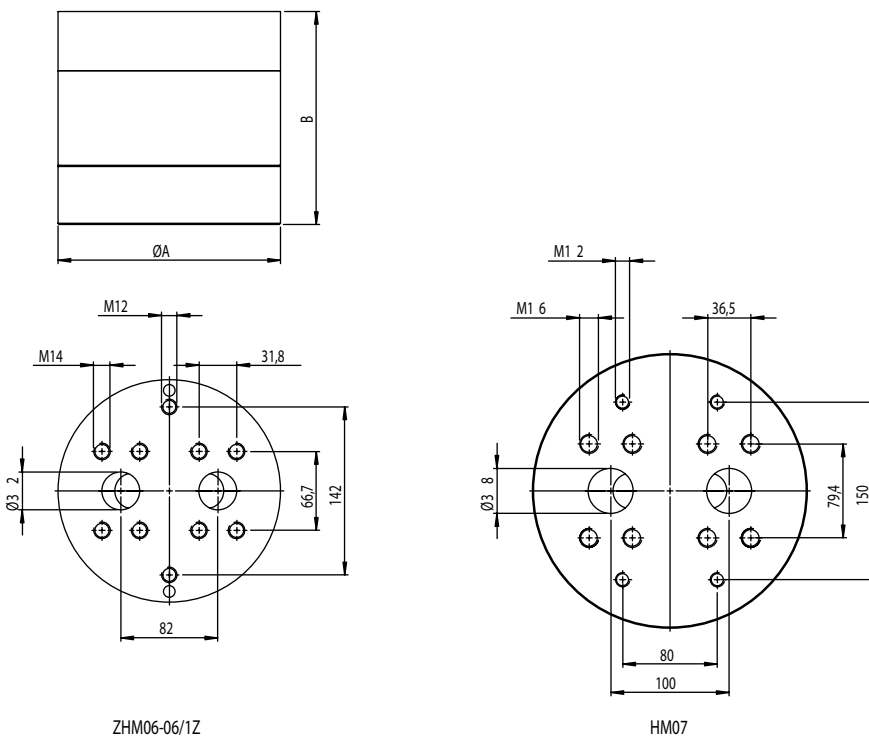
**Dimensional Drawings (mm)**

ZHM 01/2 to 05



Type	AØ	B	C	D	E	F
ZHM 01/2 KL	72.0	50	12	G¼"	44	M6
ZHM 02 KL	80.5	55	12	G¼"	44	M6
ZHM 03 KL	80.5	67	12	G¼"	44	M6
ZHM 04 KL	121.0	96	17	G½"	60	M6
ZHM 05 KL	170.0	133	22.5	G1"	100	M8

ZHM 06/1 to 07



ZHM06-06/1Z

HM07

Type	AØ	B	142
ZHM 06/1 KL*	188,0	180	142
ZHM 06 KL*	188,0	200	142
ZHM 07 KL*	232,0	220	142

\* Bodenseitiger Ein- und Auslauf.

## Contact worldwide

### KEM-Headquarter

Liebigstraße 2  
D-85757 Karlsfeld  
T. +49 8131 5 93 91 - 0  
F: +49 8131 9 26 04  
info@kem-kueppers.com

### KEM-Office West

Im Langen Hahn 44  
D-58515 Lüdenscheid  
T. +49 2351 9 78 80  
F: +49 2351 9 78 83 1  
kem-west@kem-kueppers.com

### KEM-Office South

Dahlienweg 35  
D-73765 Neuhausen  
T. +49 7158 98 56 82  
F: +49 7158 98 56 83  
kem-sued@kem-kueppers.com

### Denmark

E. Eberhardt ApS  
Bygstubben 6  
DK-2950 Vedbæk  
T. +45/45/89 33 66  
info@eeberhardt.dk

### Norway

Flow Teknikk as  
Olav Brunborgsv. 27, Postboks 244  
N-1377 Billingstad  
T. +47/66/77 54 00  
mail@flow.no

### Singapore

Polyquip Engineering Pte Ltd  
Blk 20 Woodlands Link #08-12  
Woodlands East Industrial Est.  
SGP- 738733 Singapur  
T. +65/6753/79 97  
sales@polyquip.com.sg

### China

KEM China  
Mr. Xiao Tianxiang  
Rm.2429, JinYuan Office Building, No. 36,  
CN- BeiYuan Road, Beijing 100012  
T. +86/10/52 00 37 38  
Shaw@kem-kueppers.com

### Poland

Newtech Engineering  
ul. Sowinskiego 3  
PL-4-100 Gliwice  
T. +48/32/237 61 98  
newtech@newtech.com.pl

### Slovakia

Bibus SK, s.r.o.  
Priemysel'ná 4  
SK-949-01 Nitra  
T. +421/377/41 25 25  
gyenes@bibus.sk

### Finland

Wexon Oy  
Juhanilantie 4  
FI-01740 Vantaa  
T. +358/9/29 04 40  
wexon@wexon.com

### Portugal

Contimetra Departamento Indústria  
R. Braamcamp 88-40 Dt0  
P-1269-020 Lisboa  
T. +351/213/86 05 00  
contimetra@contimetra.com

### Spain

Ortrat S.L.  
Calle La Sofora 13 + 15  
ES-28020 Madrid  
T. +349/1/57 91 60 6  
ortrat@ortrat.es

### United Kingdom

KEM Küppers UK  
2 Highfield Drive  
Ickenham Uxbridge  
UB10 8AL England  
T. +44/1895/23 35 52  
hans.rader@kueppers.co.uk

### Russia

Michael Dueck  
Industrievertretungen und Vertrieb  
St.-Vither-Str. 12  
D-50171 Kerpen  
T. +49/2237/67 91 88  
info@m-dueck.de

### Taiwan

Yuden Electric Co.,Ltd  
Taiwan Headquarter  
5F, No.121 , Li De ST, JHONGHE TAIPEI  
COUNTY 235, Taiwan ROC  
T. +886/2/82 21 29 58  
sales@yuden.com.tw

### Hong Kong Area

Asia Technology and Instrument Ltd.  
Unit 5, 9/F., Free Trade Centre  
49 Tsun Yip Street, Kwun Tong  
HK-Kowloon  
T. +85/227/16 55 56  
ati@ati.com.hk

### Schweden

Pentronic AB  
SE-590 93 Gunnebobruk  
T. +46/490/25 85 00  
info@pentronic.se

### United States of America

AW-LAKE Company  
Electronics for Instrumentation  
8809 Industrial Dr.  
Franksville, WI 53126, USA  
T. +1/262/88 49 80 0  
sales@aw-lake.com

### Italy

Ingg. Vigo e Cova SAS  
Piazzale Segrino 6/a  
I-20159 Milano  
T. +39/02/668 82 02  
vigo.cova@vigocova.com

[www.kem-kueppers.com](http://www.kem-kueppers.com)

[info@kem-kueppers.com](mailto:info@kem-kueppers.com)