

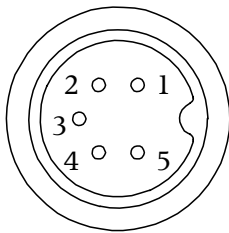
## VIE\* /P Technical Information

supply voltage:

$U_B$  +7 up to 29VDC  
(incl. reverse-battery protection)

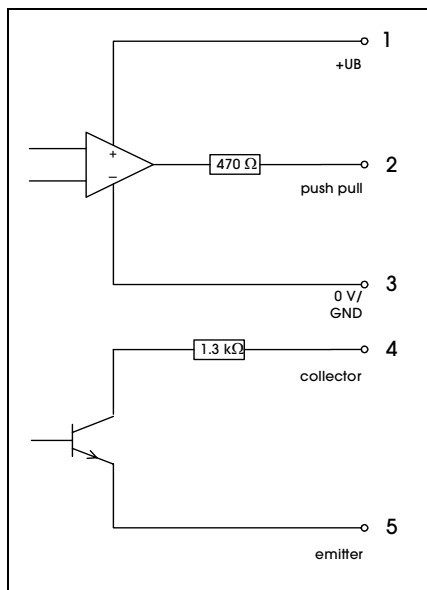
electrical connection:

5-pin amphenol plug



- 1 = +UB
- 2 = signal push pull
- 3 = 0 V
- 4 = open collector signal (collector)
- 5 = open collector signal (emitter)

output (short-circuit proof):



• push pull

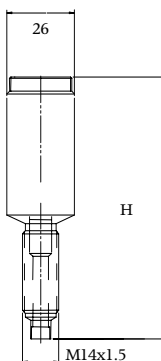
• voltage level NPN/OC passive

$$U_{High} > U - (I_{out} \text{ (mA)} \cdot 1.3k\Omega)$$

$$U_{Low} < 0.6V + (I_{out} \text{ (mA)} \cdot 1.3k\Omega)$$

$$U_{max} = 30V$$

dimensions:



$$H = 110 \text{ mm (VIEK/P)}$$

$$H = 149 \text{ mm (VIEL/P)}$$

$$\varnothing = 26 \text{ mm}$$

$$\text{thread M 14 x 1.5}$$