

Certified according to DIN EN ISO 9001

Technical Datasheet & Manual



TD-Ex

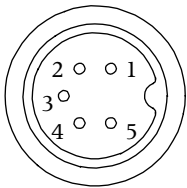

Carrier-Frequency Amplifier with Dual Pickup

Description

The integral pickups detect the r.p.m. of KEM gear flow meters. This happens without contacting the measuring medium. The output signal of the pickups is amplified, transformed and finally provided as a current or voltage square wave pulse signal for further processing.

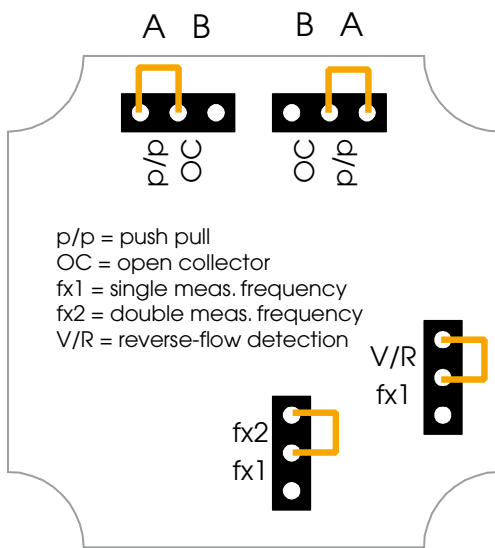
The TD* is operated in a three-wire mode. Two output signals phase-shifted by 90° enable for frequency doubling and detection of reverse flow. Versions TD *.*-(Ex) are IS approved as per EExialICT4. It is recommended to use our intrinsically safe power supply type EWS for these versions.

Technical Data

Supply voltage U_B :	8 up to 30 V DC	
Quiescent current:	< 4 mA each channel	
Frequency range:	3 up to 3,000 Hz in accordance with flow meter	
Ambient temperature:	-20 up to +50 °C	
Medium temperature:	up to +80 °C	
Phase shift:	90°, ±30°	
Electrical connection:	5-pin plug for supply and output signals 1 = +UB 8 up to 30 V DC 2 = signal out B: push pull or open collector (f x 1 or f x 2) 3 = 0 V 4 = signal out A: push pull or open collector (f x 1 or reverse flow) 5 = com, common 0 V of both open collector outputs	
Housing:	Aluminium	
Ingress protection:	IP 65	
Dimensions:	L = 50 mm, W = 45 mm, H = 30 mm	
Weight:	approx. 200 g	
IS approval ATEX 100:	 I 2 G EEx ia IIC T4, BVS01.E.2012	
Operating modes:	a) 2x single measuring frequency (90° phase-shifted) output A leads b) double measuring frequency and reverse flow detection valid only within permissible measuring range direction forward = output transistor conducting	
Output modes:	<ul style="list-style-type: none"> push pull $I_{out \max} = 20 \text{ mA}$ voltage level NPN/OC passive $U_{High} > U - (I_{out} \text{ (mA)} \cdot 1.3 \text{ k}\Omega)$ $U_{Low} < 0,6 \text{ V} + (I_{out} \text{ (mA)} \cdot 1.3 \text{ k}\Omega)$ $U_{max} = 30 \text{ V}$ 	

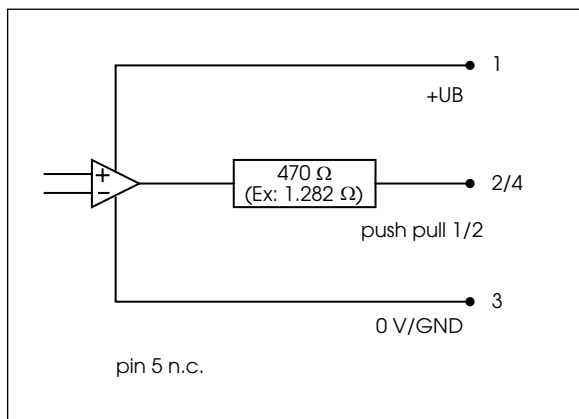
Electrical connection

Jumper layout:

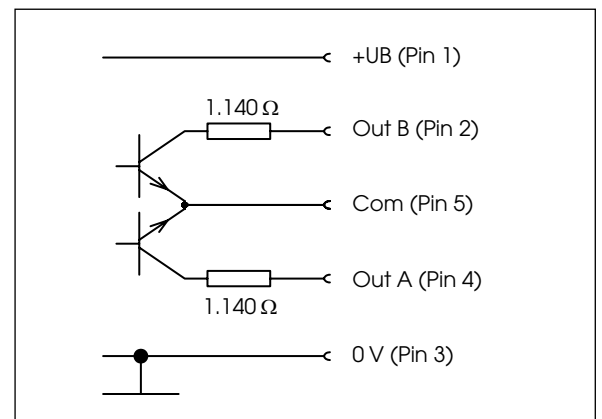


2x push pull output
 1x double measuring frequency
 1x reverse-flow detection

2x Push pull:



NPN open collector passive:



Electrical Data

Current supply circuit pins 1 and 3

voltage: $U_i = DC\ 30\ V$
 current power: $I_i = 120\ mA$
 power: $P_i = 750\ mW$
 effective internal capacity: $C_i = \text{negligible}$
 effective internal inductivity: $L_i = \text{negligible}$

Current signal circuit pins 2 and 3 push/pull (jumpers VB1 and VB2 in position A)

voltage: $U_o = DC\ 30\ V$ $U_i = DC\ 30\ V$
 current power: $I_o = 21\ mA$ $I_i = 120\ mA$
 power: $P_o = 157\ mW$ $P_i = 750\ mW$
 internal resistance: $R_i \geq 1282\ \Omega$
 effective internal capacity: $C_i = \text{negligible}$
 effective internal inductivity: $L_i = \text{negligible}$

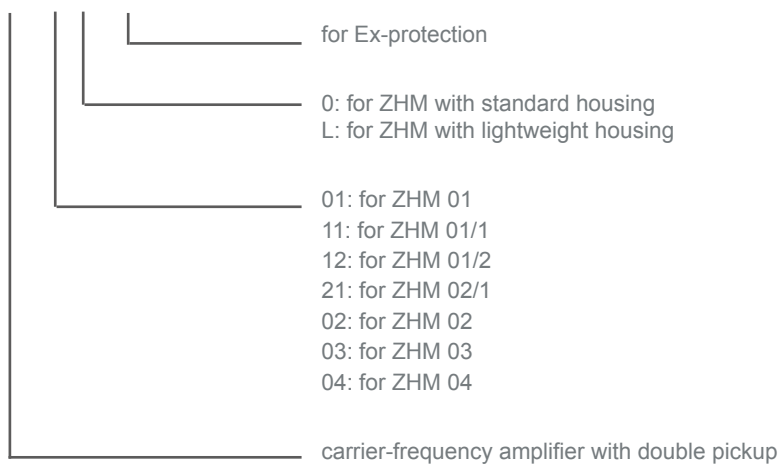
Current signal circuit pins 2 and 3 open collector (jumpers VB1 and VB2 in position B)

voltage: $U_i = DC\ 30\ V$
 current power: $I_i = 120\ mA$
 power: $P_i = 750\ mW$
 internal resistance: $R_i \geq 1140\ \Omega$
 effective internal capacity: $C_i = \text{negligible}$
 effective internal inductivity: $L_i = \text{negligible}$

The signal current circuit and supply current circuit are galvanically connected

Ordering Information

TD - **. *-Ex



Notes on Installation

The following has to be adhered to:

- a) Installation instructions for electrical devices
Installation instructions for associated intrinsically-safe devices
The »Special conditions for safe use« as per EC-Type Examination Certificate.
- b) The amplifier has to be installed in a way that the max. ambient temperature does under no circumstances exceed +50°C (consider self heating).
- c) With cables care should be taken, that the max inductivity and capacity of the respective voltage or gas group are not exceeded.
- d) Exceeding or falling below the regular measuring range will cause invalid frequency output signals.
- e) Shielded cables are to be used as connecting lines.
- f) Generally, supplied units have to be connected by an expert according to EMC stipulations.

Marking of the pulse amplifier

KEM Küppers Elektromechanik GmbH

 0123  II 2G Ex ia IIC T4

DMT 01 ATEX E 2012

TD-*. *-Ex Ser.Nr. ...

-40°C ≤ TA ≤ +50°C

Ui = 30V, Li = 120 mA, Pi = 750m W

Contact worldwide

KEM-Headquarter

Liebigstraße 2
D-85757 Karlsfeld
T. +49 8131 5 93 91 - 0
F: +49 8131 9 26 04
info@kem-kueppers.com

KEM-Office West

Im Langen Hahn 44
D-58515 Lüdenscheid
T. +49 2351 9 78 80
F: +49 2351 9 78 83 1
kem-west@kem-kueppers.com

KEM-Office South

Dahlienweg 35
D-73765 Neuhausen
T. +49 7158 98 56 82
F: +49 7158 98 56 83
kem-sued@kem-kueppers.com

Denmark

E. Eberhardt ApS
Bygstubben 6
DK-2950 Vedbæk
T. +45/45/89 33 66
info@eeberhardt.dk

Norway

Flow Teknikk as
Olav Brunborgsv. 27, Postboks 244
N-1377 Billingstad
T. +47/66/77 54 00
mail@flow.no

Singapore

Polyquip Engineering Pte Ltd
Blk 20 Woodlands Link #08-12
Woodlands East Industrial Est.
SGP- 738733 Singapur
T. +65/6753/79 97
sales@polyquip.com.sg

China

KEM China
Mr. Xiao Tianxiang
Rm.2429, JinYuan Office Building, No. 36,
CN- BeiYuan Road, Beijing 100012
T. +86/10/52 00 37 38
Shaw@kem-kueppers.com

Poland

Newtech Engineering
ul. Sowinskiego 3
PL-4-100 Gliwice
T. +48/32/237 61 98
newtech@newtech.com.pl

Slovakia

Bibus SK, s.r.o.
Priemysel'na 4
SK-949-01 Nitra
T. +421/377/41 25 25
gyenes@bibus.sk

Finland

Wexon Oy
Juhanilantie 4
FI-01740 Vantaa
T. +358/9/29 04 40
wexon@wexon.com

Portugal

Contimetra Departamento Indústria
R. Braamcamp 88-40 Dt0
P-1269-020 Lisboa
T. +351/213/86 05 00
contimetra@contimetra.com

Spain

Ortrat S.L.
Calle La Sofora 13 + 15
ES-28020 Madrid
T. +349/1/57 91 60 6
ortrat@ortrat.es

United Kingdom & Eire

KEM Küppers UK
2 Highfield Drive
Ickenham Uxbridge
UB10 8AL England
T. +44/1895/23 35 52
hans.rader@kueppers.co.uk

Russia

Michael Dueck
Industrievertretungen und Vertrieb
St.-Vither-Str. 12
D-50171 Kerpen
T. +49/2237/67 91 88
info@m-dueck.de

Taiwan

Yuden Electric Co.,Ltd
Taiwan Headquarter
5F, No.121, Li De ST, JHONGHE TAIPEI
COUNTY 235, Taiwan ROC
T. +886/2/82 21 29 58
sales@yuden.com.tw

Hong Kong Area

Asia Technology and Instrument Ltd.
Unit 5, 9/F., Free Trade Centre
49 Tsun Yip Street, Kwun Tong
HK-Kowloon
T. +85/227/16 55 56
ati@ati.com.hk

Sweden

Pentronic AB
SE-590 93 Gunnebobruk
T. +46/490/25 85 00
info@pentronic.se

United States of America

AW-LAKE Company
Electronics for Instrumentation
8809 Industrial Dr.
Franksville, WI 53126, USA
T. +1/262/88 49 80 0
sales@aw-lake.com

Italy

Ingg. Vigo e Cova SAS
Piazzale Segrino 6/a
I-20159 Milano
T. +39/02/668 82 02
vigo.cova@vigocova.com

www.kem-kueppers.com
info@kem-kueppers.com