

Certified according to DIN ISO 9001

User's Manual



WT-WI02 & Easy Control 2.15

INDEX

1	GENERAL INFORMATION	5
1.1	FEATURES.....	5
1.2	SAFETY.....	5
1.2.1	General Safety	5
1.2.2	Special requirements for Ex installations	6
1.3	ORDERING CODES AND ACCESSORIES.....	6
1.3.1	Ordering Code.....	6
1.3.2	Accessories.....	6
2	GETTING STARTED	7
2.1	UNPACKING.....	7
2.2	OPERATING ELEMENTS.....	7
2.2.1	W*02.....	7
2.2.2	CON.USB.WT	8
2.3	PIN ASSIGNMENTS.....	8
2.3.1	W*02.....	8
2.3.2	CON.USB.WT	8
3	INSTALLATION.....	9
3.1	MECHANICAL.....	9
3.2	ELECTRICAL.....	9
3.3	EX INSTALLATION.....	9
4	OPERATION.....	10
4.1	NORMAL OPERATION.....	10
4.1.1	Using the 4-20mA loop only	10
4.1.2	Using the 4-20mA loop and the digital output.....	11
4.1.3	Using the digital output only	12
4.2	REMOTE CONTROL.....	12
4.2.1	Installation of Easy Control	13
4.2.2	Connecting the WT to the PC	13
4.2.3	Reading the input frequency	15
4.2.4	Changing the settings	16
4.2.5	Calibration	18
4.2.6	Linearization.....	19
4.2.7	Save Device Configuration.....	19
5	SERVICE AND MAINTENANCE.....	21
5.1	MAINTENANCE.....	21
5.2	TROUBLE SHOOTING	21
5.3	SERVICE	21
6	LISTINGS.....	22
6.1	WARRANTY	22
6.2	DECLARATION OF CONFORMITY	22
6.3	TECHNICAL DATA.....	22
6.4	WEEE AND ROHS	23
6.5	ADRESSES	23

1 GENERAL INFORMATION

1.1 Features

The converters type W*.02 are passive 4-20 mA sensors with carrier-frequency- (WT) or inductive (WI) input stage.

In addition to the analogue output the sensor provides a galvanically isolated open collector output, which can be used either as a switch or frequency output. The frequency output is freely scalable for a calibration to the volume flow independent of the type of flow meter.

The W*.02 have an interface integrated in the M12 sensor plug. The interface adapter and remote software KEM »EasyControl« allow for programming the operating parameters and to read the input frequency.

The output frequency and current can be linearized with up to 10 points.

The W*.02 is supplied either with standard settings or adjusted to a specific flow meter.

1.2 Safety

1.2.1 General Safety

All statements regarding safety of operation and technical data in this manual will only apply when the unit is operated correctly in accordance with this manual.

The data for Ingress Protection (IP 65) will only apply when all connectors are capped properly with the corresponding counterpart with the same or better IP rating. Cable glands must be populated with cables with the specified diameter and closed properly.

During operation all openings of the housing must be closed unless otherwise noted in this manual.

All connections to the load and to the supply must be made with shielded cables unless otherwise noted in this manual. This unit must be grounded.

This unit must be supplied by a safety approved power supply with outputs which comply with Safety Extra Low Voltage (SELV).

As a protection against fire in the positive supply a fuse with a current rating not higher than the current carrying capacity of the cable used is required.

1.2.2 Special requirements for Ex installations

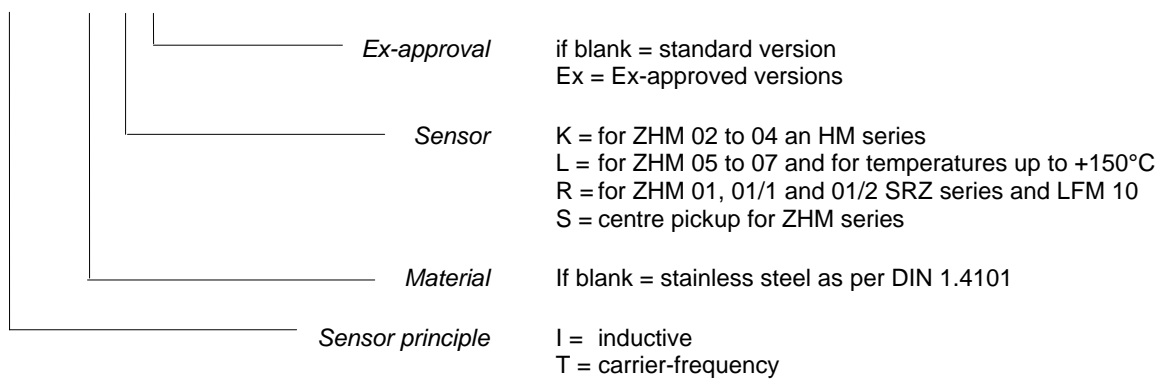
When used in hazardous area a suitable separation amplifier or zener barriers must be used.

When using long cables make sure that the maximum inductances and capacitances for the respective voltage or gas group are not exceeded.

1.3 Ordering Codes and Accessories

1.3.1 Ordering Code

Wa.02-bb.c.d



1.3.2 Accessories

Ordering Code Description

CON.USB.WT: USB-adapter for WT.02 with output plug to loop through the analogue and frequency output. In the remote mode the WT.02 can be powered via the USB interface or via an external power supply.

EasyControl: Remote software for WINDOWS® XP or VISTA. With WINDOWS® XP SP3 or N.NET framework is required.

Connector M12; 5 pin, female; 713

Shielded cable

2 GETTING STARTED

2.1 Unpacking

Verify that you have received the following items:

When you ordered W*02....:

- W*02.....
- User's manual

When you ordered CON.USB.WT

- CON.USB.WT
- USB-cable
- CD incl. software and drivers
- User's manual

2.2 Operating Elements

2.2.1 W*02



Fig. 1: Operating Elements of W*02

1 = Electrical connector

2 = Lock nut

3 = Installation thread

4 = Pickup tip

2.2.2 CON.USB.WT

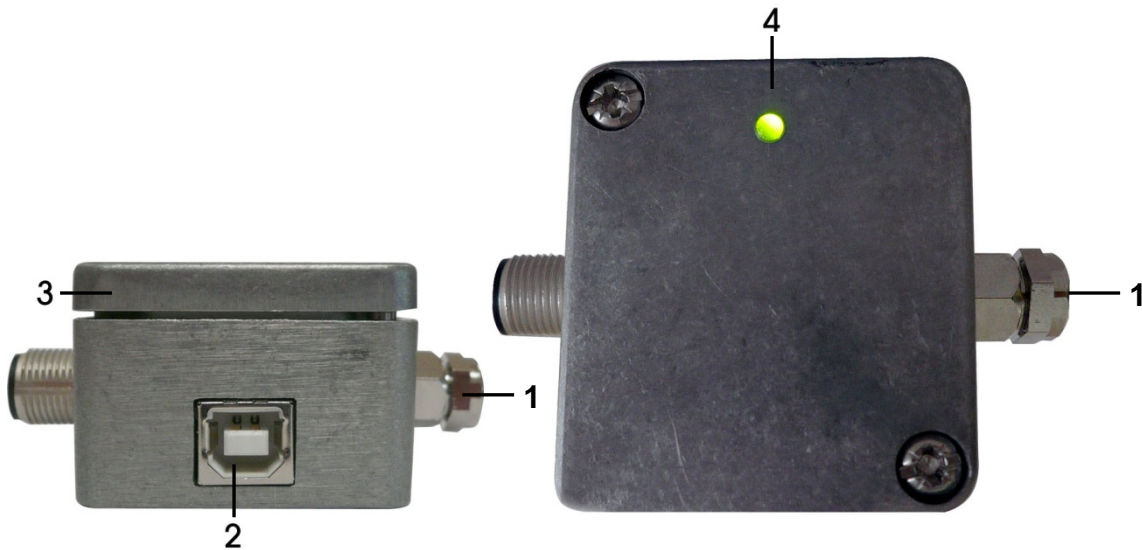
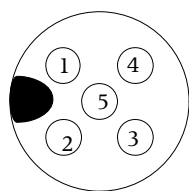


Fig. 2: Operating Elements of CON.USB.WT

- 1 = cable to W*02
- 2 = USB connector
- 3 = output connector
- 4 = control LED

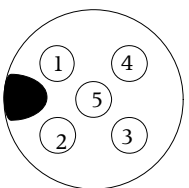
2.3 Pin Assignments

2.3.1 W*02



- 1 +I
- 2 -I
- 3 Digital Ground
- 4 WT Frequency Out
- 5 WT Communication In

2.3.2 CON.USB.WT



- 1 +I
- 2 -I
- 3 Digital Ground
- 4 Frequency Out
- 5 WT supply/n.c. (see chapter 4.2.2)

3 INSTALLATION

3.1 Mechanical

Screw the W*02 manually (without tools) into the pickup thread of the flow sensor until you reach the stop.

Turn the W*02 back by 90°

Fix the lock nut.

WARNING

Screwing in the W*02 with too much force can damage the pickup tip!

3.2 Electrical

Make sure that the flow meter is grounded.

NOTE

The housing of the W*02 is connected to the shield of the cable. In bigger systems a separate grounding of the meter might be required for avoiding high currents in the cable shield. In that case the shield might be left open or grounded via a capacitance of e. g. 100nF to avoid ground loops.

WARNING

Inproper grounding and shielding may lead to bad EMC behaviour or danger to your health!

Connect the W*02 via a shielded cable to the control unit. The W*02 is specified for a supply voltage of 15 V or 24 V and will operate at supply voltages from 12 V up to 30 V.

NOTE

Make sure that all cable and wires are connected and fixed properly before applying power to the W*02

For the electrical connections refer to the drawings in chapter 4.1

3.3 Ex Installation

The W*02-Ex is intrinsically safe when operated with zener barriers.

Mount the W*02 as described in chapter 3.1.

Connect the W*02 to suitable zener barriers.

WARNING

When used in hazardous areas the W*02 must not be connected to any circuitry except suitable zener barriers.

4 OPERATION

4.1 Normal operation

The W*02 is ready to use and does not require any special settings.

If changes of the K factor for the analogue output or of the operational mode are required, please refer to chapter 4.2.4.

4.1.1 Using the 4-20mA loop only

The W*02 operates as a passive 4 – 20mA sensor with 2 wire connection. Connect the W*02 according to the figure below.

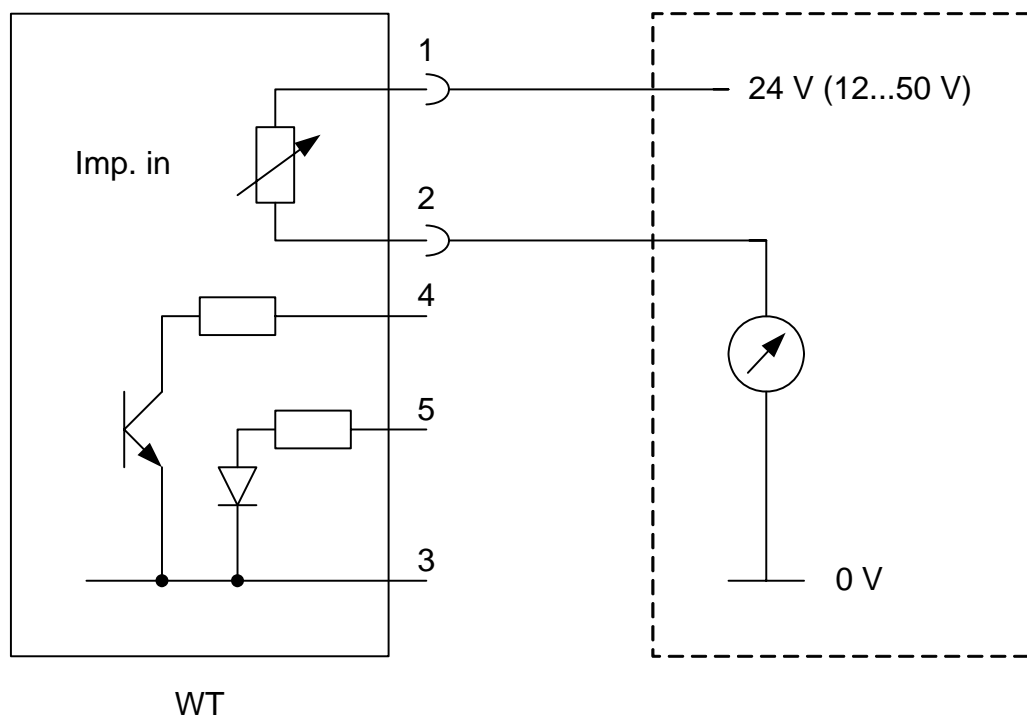


Fig. 3: Electrical connections, 4-20mA only

NOTE

For this mode of operation the analogue mode must be set to "Input Frequency". This is the default setting. The frequency mode can be set to "OFF".

4.1.2 Using the 4-20mA loop and the digital output

In this mode the W*02 operates as a passive 4 – 20mA sensor with auxiliary optically isolated open collector output.

Connect the W*02 according to the figure below.

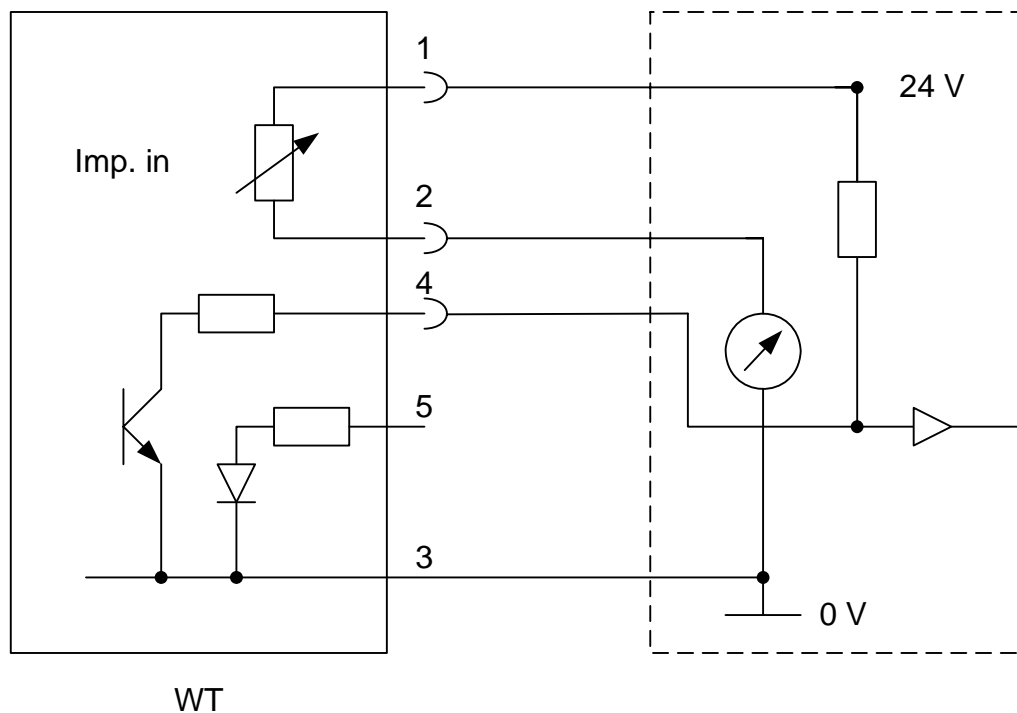


Fig. 4: Electrical connections 4-20 mA and digital output

The following modes are possible for the digital output:

Input Frequency:

The input signal is transformed to a square signal and fed to the digital output (pin 4).

Switch Normally open:

The output is high (open) at low frequencies. As the input frequency reaches $f_{th} + f_{hysteresis}$ the transistor becomes conducting and the output goes low.

As soon as the input frequency drops below $f_{th} - f_{hysteresis}$ the output becomes non conducting again and goes high, provided that an external pull up is connected.

Switch Normally closed:

The output is low (conducting) at low frequencies. As the input frequency reaches $f_{th} + f_{hysteresis}$ the transistor becomes non conducting and goes high, provided that an external pull up is connected.

As soon as the input frequency drops below $f_{th} - f_{hysteresis}$ the output becomes conducting again and the output goes low. For changing the mode refer to chapter 4.2.4.

4.1.3 Using the digital output only

If only a digital output is required, connect the W*02 according to the figure below.

For the description of the digital output modes refer to chapter 4.2.4.

For best performance and lowest power requirements, the analogue mode can be set to “4 mA”. In that mode the W*02 draws a supply current of 4 mA independent of the input frequency.

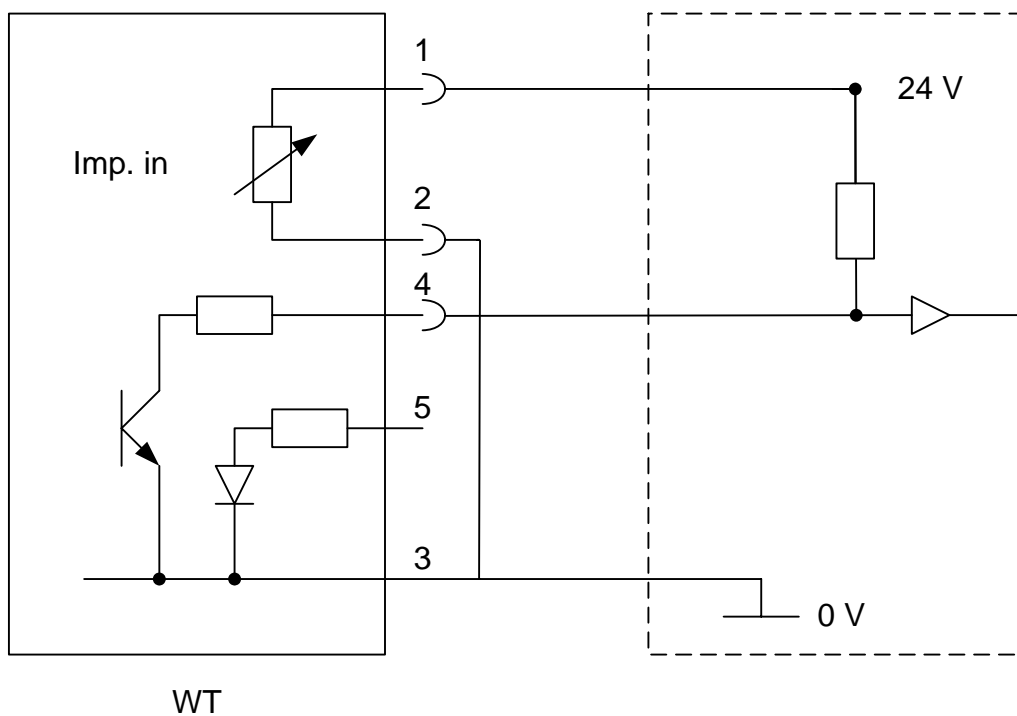


Fig. 5: Electrical connections digital output only

4.2 Remote Control

The W*02 has a built in interface which uses the frequency output and pin 5 of the connector for communication.

Communication with a computer is easily implemented by using the USB converter CON.USB.WT and the remote SW KEM EasyControl.

NOTE

In remote mode the digital output is used for communication and does not provide the frequency output or switch functionality!

4.2.1 Installation of Easy Control

NOTE

To install EasyControl on the computer administrator rights are required.

Start “setup.exe” on the CD.

The installation will be performed automatically and an icon for starting EasyControl will be created on your desktop.

NOTE

If necessary (Windows® XP without SP3) the Microsoft .NET Framework runtime library will be installed on the computer

Start “CDM 2.04.06.exe” on the CD and the driver for the CON.USB.WT will be installed.

4.2.2 Connecting the WT to the PC

The CON.USB.WT provides 3 modes of operation:

POW int:

The WT is powered from the USB interface. No connection at the output connector of the CON.USB.WT is required. The frequency output cannot be used.

The LED lights up when the CON.USB.WT is connected to a PC.

This mode is used for setting up the WT or for simple measurements of the input frequency

POW DAM:

The WT is powered from the USB interface. Between Pin 2 and 5 of the output connector of the CON.USB.WT a DAM must be connected. This DAM shows the 4 – 20mA signal of the WT. The frequency output cannot be used.

The LED lights up when the CON.USB.WT is connected to a PC.

This mode is used for setting up the WT, for calibrating the analogue output and for simple measurements of the input frequency

POW off:

The WT is not powered from the USB interface. An external power supply at the output connector of the CON.USB.WT is required.

The LED does not light up.

This mode is used for in line monitoring the WT in a complete installation.

To set the mode proceed as follows:

- Open the CON.USB.WT by removing the 2 screws in the top cover
- Set the rotary switch with a small screwdriver to the desired position (see figure 6)
- Close the CON.USB.WT with the 2 screws



Fig. 6: CON. USB.WT Switch position

Connect the CON.USB.WT via the provided USB cable to your PC

NOTE

Pin 3 of the output connector of the CON.USB.WT is connected to the ground potential of the PC!

Connect the cable of the CON.USB.WT to the WT.

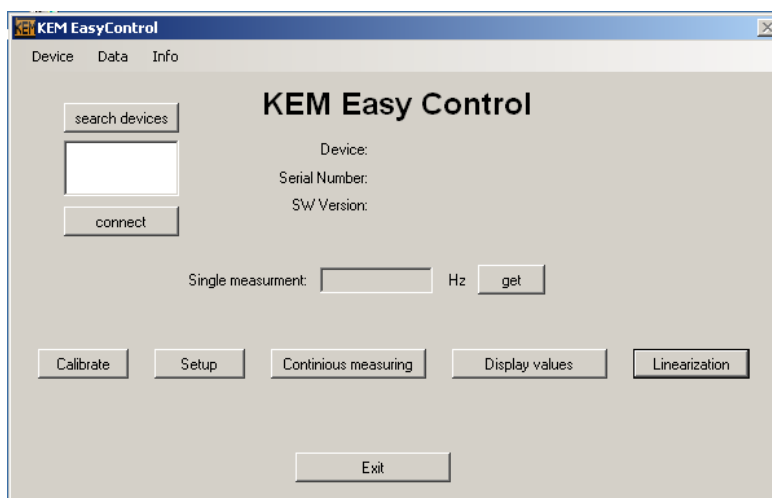
NOTE

When you connect for the first time a CON.USB.WT to your PC, you need administrator rights on the PC as the drivers must be installed on the PC!

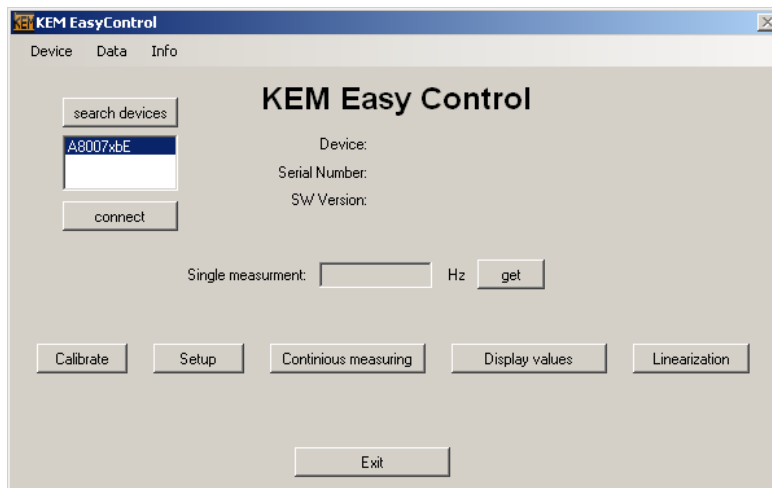
If necessary connect the DAM or the power supply / control unit to the output of the CON.USB.WT

Start EasyControl by double clicking on the icon.

Click button "SEARCH DEVICES".



The list of all available KEM CON.USB serial numbers will be shown in the window below the button. The respective serial number you will find on the CON.USB.



Select one serial number and confirm with "CONNECT". The main menu now shows device name, serial number and SW version of the WT and EasyControl is ready to be used.



For ending the remote control of the WT click menu item “DEVICE”, “Disconnect”.

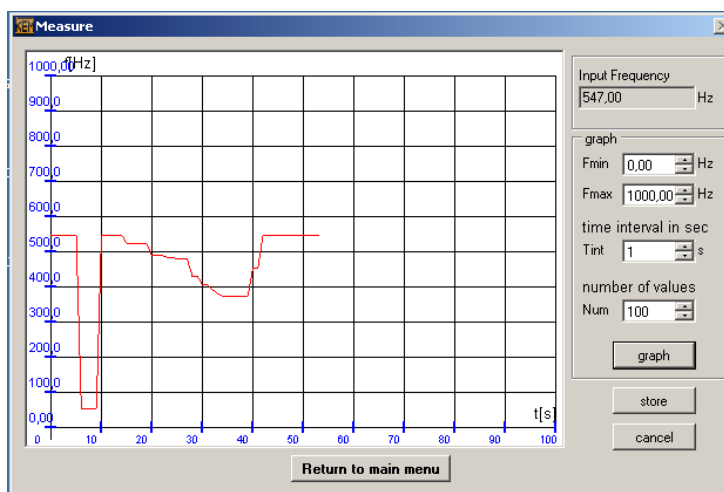
For finishing EasyControl click “EXIT”.

4.2.3 Reading the input frequency

During normal operation it is possible to read the input frequency without disturbing the analogue 4 – 20mA signal.

In the main menu a single frequency measurement can be performed by clicking „**Single measurement**”.

In the menu “**Continuous measuring**” the actual input frequency is displayed continuously with 1 measurement per second.



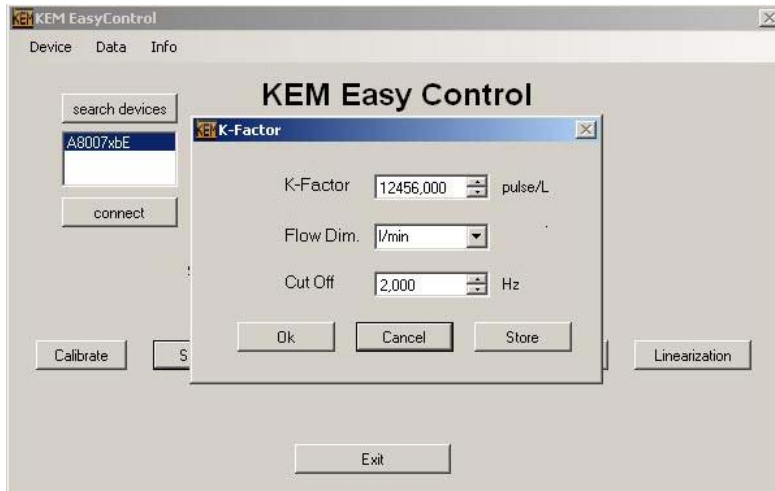
The frequency over time can be displayed as a graph:
Set the 4 parameter for the graph and start the measurement by clicking “graph”.

When the graph is finished, the total set of values can be stored in a file:

Click “store”. If required, name and location of the file can be set individually.

4.2.4 Changing the settings

K-Factor

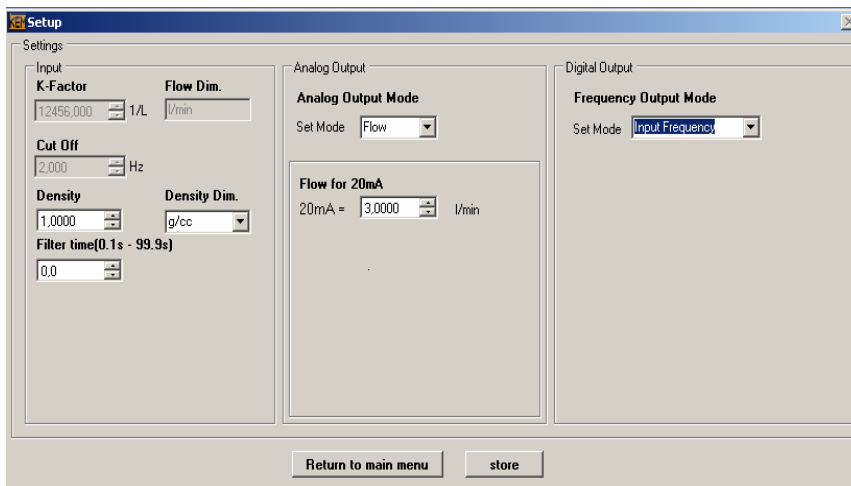


“K-Factor”

In “Flow. Dim” mass units for mass flow
 volume units for volume flow

“CutOff” cut-off-frequency

Setup



- Input

“Density” Density of medium must be specified for calculating mass flow
 “Filter time(0.1-99.9s)” Response time of flow output filter

- Analogue Output

Analogue Output Mode

“4mA” The W*02 draws
 no additional parameters

“Flow” The input frequency is converted in 4-20mA
 “Flow for 20mA” the flow accorded to 20mA

- Digital Output

Frequency output mode	Additional parameters	Parameter values	Description
Off	none	none	digital output is off
Input Frequency	none	none	output frequency equals input frequency
Switch	Switch frequency	1Hz ... 5kHz	Output goes to active mode at switch frequency + hysteresis and goes back to normal mode at switch frequency – hysteresis
	Switch hysteresis	0 ... 100%	
	Switch mode	Closed – normally closed Open – normally open	
Flow	Full scale flow		Output frequency = current flow * Fmax/Full scale flow
	Full scale frequency	10Hz ... 5kHz	

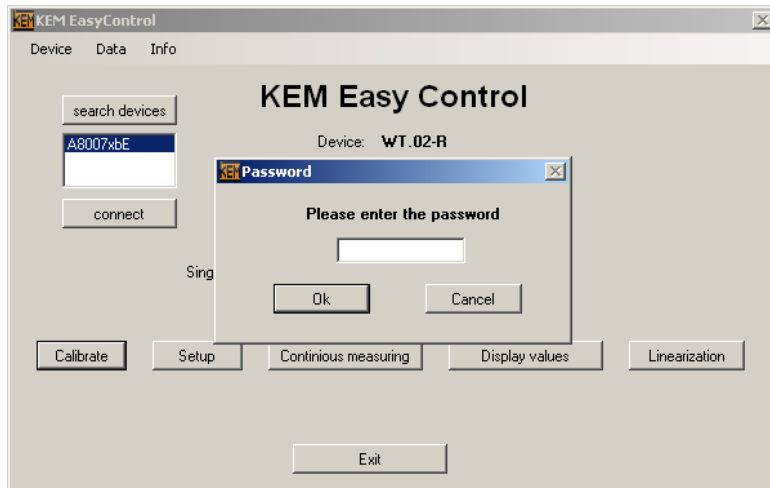
NOTE

In the Setup Mode also the analogue output is disabled. The last value is maintained until the setup is finished. Changes in flow will not alter the current!

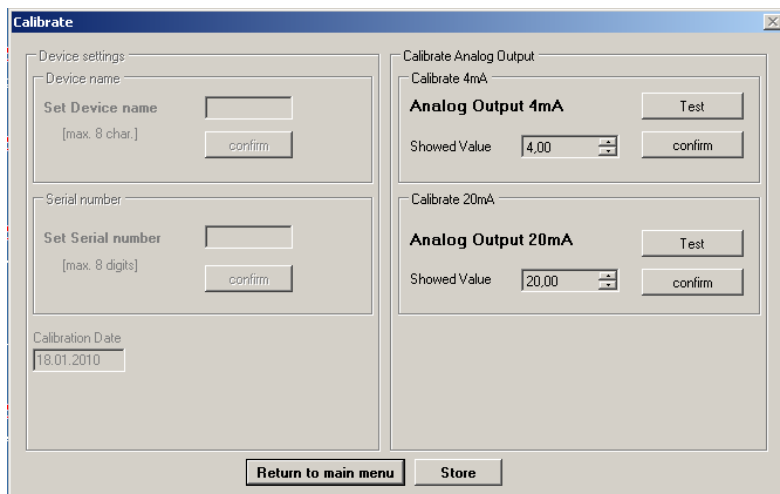
4.2.5 Calibration

The calibration of the W*02 is protected by a password.

Click “Calibrate”.



Enter “user” as password and confirm with Ok.



For calibrating the 4 mA point click on “Test” in the field “Calibrate 4 mA”.

Set the value in the field “Showed value” with the arrows up and down to the measured current.

Click “Confirm”.

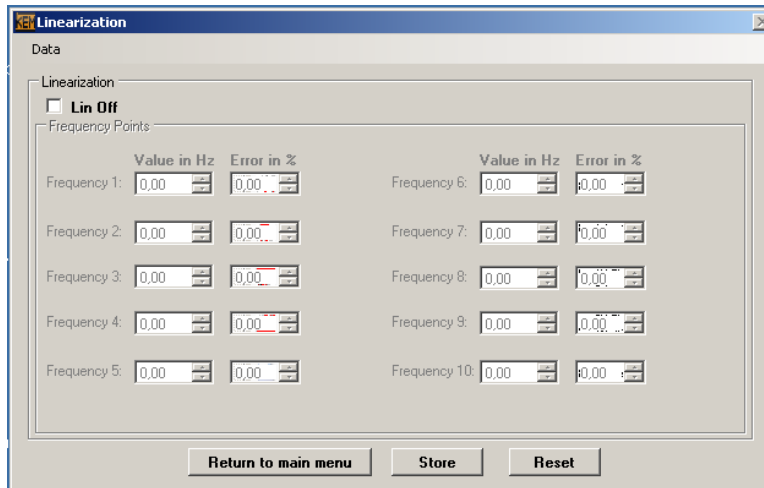
The 20 mA point is calibrated the same way.

NOTE

Changing the device settings is only possible with the KEM master password.

4.2.6 Linearization

In the linearization menu a linearization of the analogue output and the corrected frequency output can be defined.



Starting at “frequency 1” up to 10 couples of input frequency and frequency error can be specified. Each couple has to be confirmed by clicking “confirm”.

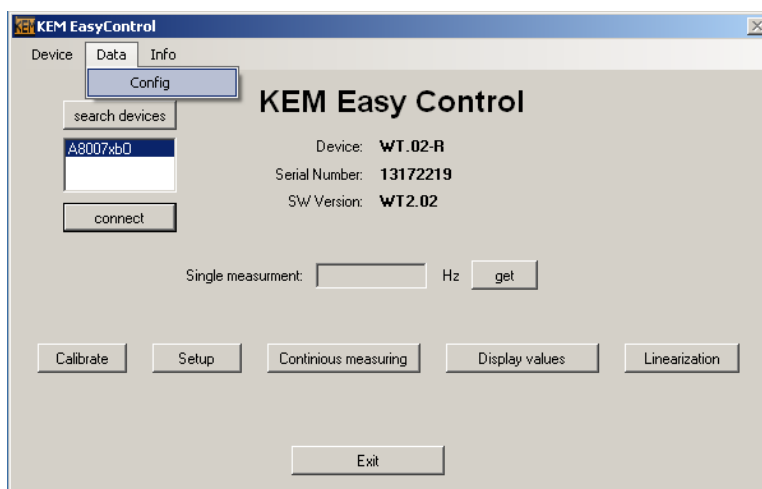
The value “error” is defined as the deviation of the input frequency from the ideal input frequency.

NOTE

Starting at “frequency 1” the frequency value for each couple must be higher than the value of the previous one. The remaining, non used couples are specified by “0” as frequency value!

4.2.7 Save Device Configuration

All parameters and device setting can be stored as a *.csv file.



Via the menu item “Data”->”Save” you can store the device settings as a *.csv file.

Global Settings	
Device Description 1	empty
Device Description 2	12
Device Description 3	empty

Device Calibration	
Calibration Date	28.01.2010
Device name	WT.02-R
WT Serial	13172219
SW Version	WT2.02

Return to main Store

Via the menu item "Data"->"Load" you can load the new settings from the formatted *.csv file. With button "Store" the loaded settings will be sent to the device.

NOTE

Please use text editor for changing data in the *.csv file. Please no commas in the floating point numbers!

5 SERVICE AND MAINTENANCE

5.1 Maintenance

The W*02 does not require regular maintenance.

For best performance, however, we recommend checking the calibration of the analogue output every 5 years, in harsh environments even more frequent.

A recalibration can be performed by using the CON.USB.WT plus KEM EasyControl or at KEM.

5.2 Trouble shooting

In case the W*02 does not work properly, first check the following items:

No output signal

All cables properly connected?

→ Connect the missing cables

W*02 properly mounted?

→ Check mounting position and, if necessary, mount the W*02 properly

Output frequency too low

All cables properly connected?

→ Reconnect the loose cables

Meter working properly?

→ Check and, if necessary, replace the meter

Output frequency too high or unstable

Most probably EMC problems

Shield and ground properly connected?

→ Connect shield properly. If necessary, try additional means of grounding and shielding

5.3 Service

The W*02 does not contain any user serviceable parts.

In case of malfunction, please contact your nearest dealer or directly KEM.

For the addresses see chapter 6.5

6 LISTINGS

6.1 Warranty

KEM warrants material and production for a period of 18 months after installation and start up, max. 24 months from delivery date.

6.2 Declaration of conformity

See separate sheet.

6.3 Technical Data

Analogue signal

Type	4–20 mA, 2-wire (passive)
Resolution:	5 μ A
Supply voltage:	12–30 V, regulated
Allowable load:	(UB–12V) / 20 mA, max. 800 Ω
Operating modes:	ON (frequency proportional current) OFF (supply current 4 mA independent of frequency)

Digital output

Type:	open collector, potential free
Protective resistor:	1,600 Ω
Frequency range	1–3,000 Hz
Operating modes	OFF (frequency output disabled) 1 : 1 (output frequency = input frequency) CORR (scalable output frequency) SW (switch output)

Further specifications

Measuring frequency	1–3,000 Hz (actually usable frequency depends on flow meter)
Response time	250ms (for input frequencies > 5Hz)
Temperature drift	< 100 ppm / K
Connector:	M12, 5-pin 1 = +I 2 = –I 3 = emitter (digital ground) 4 = collector (frequency output) 5 = remote input
Ambient temperature:	–20 ... + 50°C
Medium temperature:	–20 to +120 °C with a distance of at least 25 mm between flow meter and electronic housing
Dimensions:	see drawing (show K or R version)
Material:	stainless steel
Protection class:	IP65

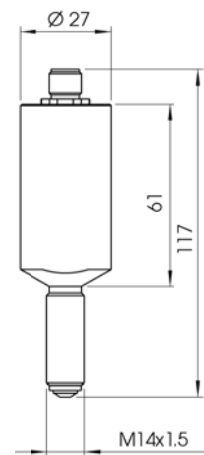


Fig. 7: W*02 dimensions

6.4 WEEE and RoHS

The unit described herein is not subject to the WEEE directive and the corresponding national laws.

At the end of life forward the unit to a specialised recycling company and do not dispose it of as domestic waste.

The unit described herein fully complies with the RoHS directive.

6.5 Adresses

Main office

KEM Küppers Elektromechanik GmbH
Liebigstraße 2
D-85757 Karlsfeld
Germany

tel +49 81 31 5 93 91 - 0
info@kem-kueppers.com
www.kem-kueppers.com

Please see our website for worldwide contacts.

ANSPRECHPARTNER WELTWEIT

KEM – Zentrale

Liebigstraße 2
D-85757 Karlsfeld
T. +49 8131 5 93 91-4
F: +49 8131 9 26 04
info@kem-kueppers.com

KEM – Büro West

Im Langen Hahn 44
D-58515 Lüdenscheid
T. +49 2351 9 78 80
F: +49 2351 9 78 83 1
kem-west@kem-kueppers.com

KEM – Büro Süd

Dahlienweg 35
D-73765 Neuhausen
T. +49 7158 98 56 82
F: +49 7158 98 56 83
kem-sued@kem-kueppers.com

Dänemark

E.Eberhardt ApS
Bygstubben 6
DK-2950 Vedbaek
T. +45 45 89 33 66
info@eeberhardt.dk

Norwegen

Flow Treknikk as
Olav Brunborgsc. 27, Postboks 244
N-1377 Billingstad
T. +47 66 77 54 00
mail@flow.no

Singapur

Polyquip Engineering Pte Ltd
Blk 20 Woodlands Link # 08-12
SGP-738733 Singapur -
T. +65 67 53 79 97
sales@polyqip.com.sg

China

KEM China
Rm. 2429, JinYuan Office Building No.36
CN-BeiYuan Road, Beijing 100012
T. +86 10 52 00 37 38
shaw@kem-kueppers.com

Polen

Newtech Engineering
Ul. Sowinskiego 3
PL- 4-100 Gliwice
T. +48 32 237 61 98
newtech@newtech.com.pl

Slowakai

Bibus SK, s.r.o.
Priemysel'na 4
SK-949-01 Nitra
T. +421 377 41 25 25
gyenes@bibus.sk

Finnland

Wexon Oy
Juhanilantie 4
FI-01740 Vantaa
T. +358 9 29 01 40
wexon@wexon.com

Portugal

Contimetra Departamento Industria
R. Braamcamp 88-40 Dt0
P-1269-020 Lisboa
T. ++351 213 86 05 00
contimetra@contimetra.com

Spanien

Ortrat S.L.
Calle La Sofora 13+15
ES-28020 Madrid
T. +349 1 57 91 60 6
ortrat@ortrat.es

Großbritannien

KEM Küppers UK
2 Highfield Drive,
Ickenham Uxbridge
UB10 8AL England
T. +44 1895 23 35 52
hans.rader@kem-kueppers.co.uk

Russland

Michael Dueck
Industrievertretungen und Vertrieb
St-Vither-Str. 12
D-50171 Kerpen
T. +49 2237 67 91 88
info@m-dueck.de

Taiwan

Yuden Electric Co.,Ltd.
Taiwan Headquarter
5F, No. 121, Li De ST, JHONGHE TAIPEI
COUNTY 235, Taiwan ROC
T. +886 2 82 21 29 58
sales@yuden.com.tw

Hong Kong

Asia Technology and Instrument Ltd.
Unit 5, 9/F., Free Trade Centre
49 Tsun Yip Street, Kwun Tong
HK-Kowloon
T. +85 227 16 55 56
ati@ati.com.hk

Schweden

Petronic AB
SE-590 93 Gunnebobruk
T. +46 490 25 85 00
info@petronic.se

USA

AW-LAKE Company
Electronics for Instrumentation
8809 Industrial Dr.
Franksville, WI 53126, USA
T. +1 262 88 49 80 0
sales@aw-lake-com

Italien

Ingg. Vigo e Cova SAS
Piazzale Segrino 6/a#
I-20159 Milano
T. +39 02 668 82 02
vigo.cova@vigocova.com

www.kem-kueppers.com

info@kem-kueppers.com