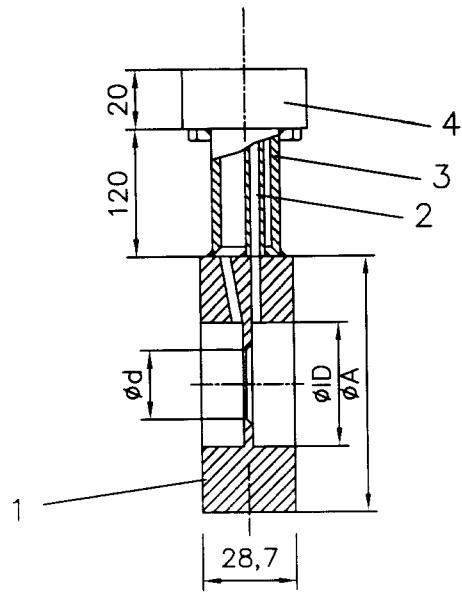
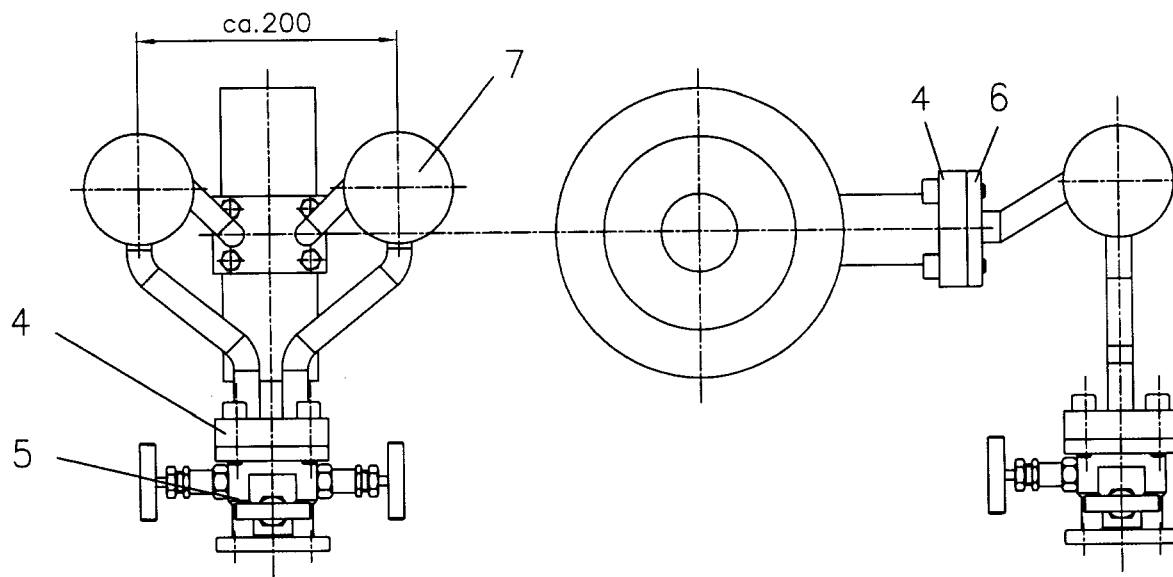


Client	Yokogawa
order no.:	10/27956
Tag.:	-/-
size	see offer
rating	see offer
orifice bore ϕd	acc. d/p-calculation
pipe ID	to be advice



pipe line	medium	mounting of the flow sensor depend on the pipe line (horizontal or vertical)
<input checked="" type="checkbox"/> horizontal	<input checked="" type="checkbox"/> gas	<input checked="" type="checkbox"/>
	<input type="checkbox"/> fluid	<input type="checkbox"/>
<input type="checkbox"/> vertical	<input type="checkbox"/> gas	<input type="checkbox"/>
<input type="checkbox"/> up stream	<input type="checkbox"/> fluid	<input type="checkbox"/>
<input type="checkbox"/> down stream		



item	description	p.c.	standard/dwg.	material
8	pulse pipe $\phi 21,3 \times 3,2$ mm	4		P235GH
7	condensate pot $\phi 90$ mm	1		P265GH
6	counter plate	1		316Ti
5	3-way manifold	1		316L
4	flange plate	2		316Ti
3	pulse pipe $\phi 26,7 \times 2,87$ mm	1	EN10216	316Ti
2	pulse pipe $\phi 8 \times 1$ mm	1	EN10216	316Ti
1	orifice	1	ISO5167-1	316Ti

Benennung:				
Compact Orifice with condensate pots				
Type: BL405-A06-A1H-A66				
	dated	name	made	Form A4
	Cez. 06.12.2010	K.Brumm	INTRA-AUTOMATION GmbH	
	Gepr.		Otto-Hahn-Straße 20	
	Norm		41515 Grevenbroich	
	drawing no.:			Rev. page
	BL405-A06-A1H-A66			0 1/1
Item modify	dated	name		
Ursprung:	Ers.für:		DOS-Bez.:	