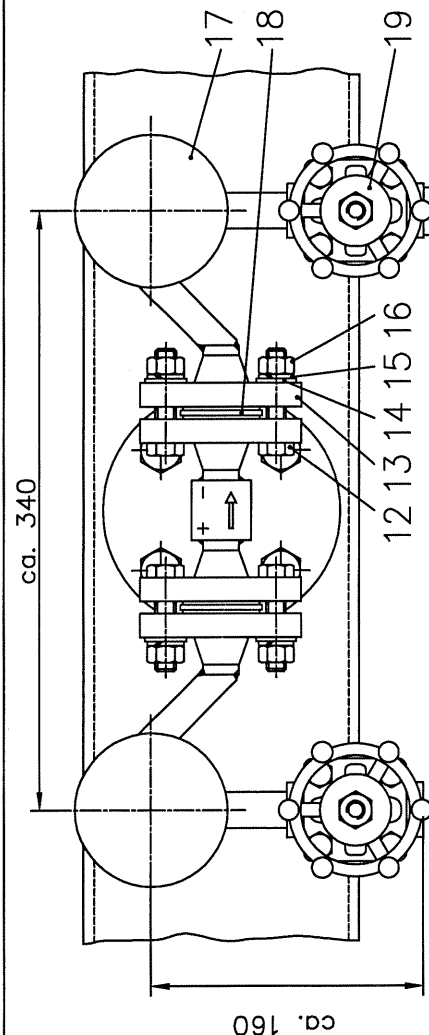
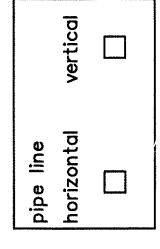
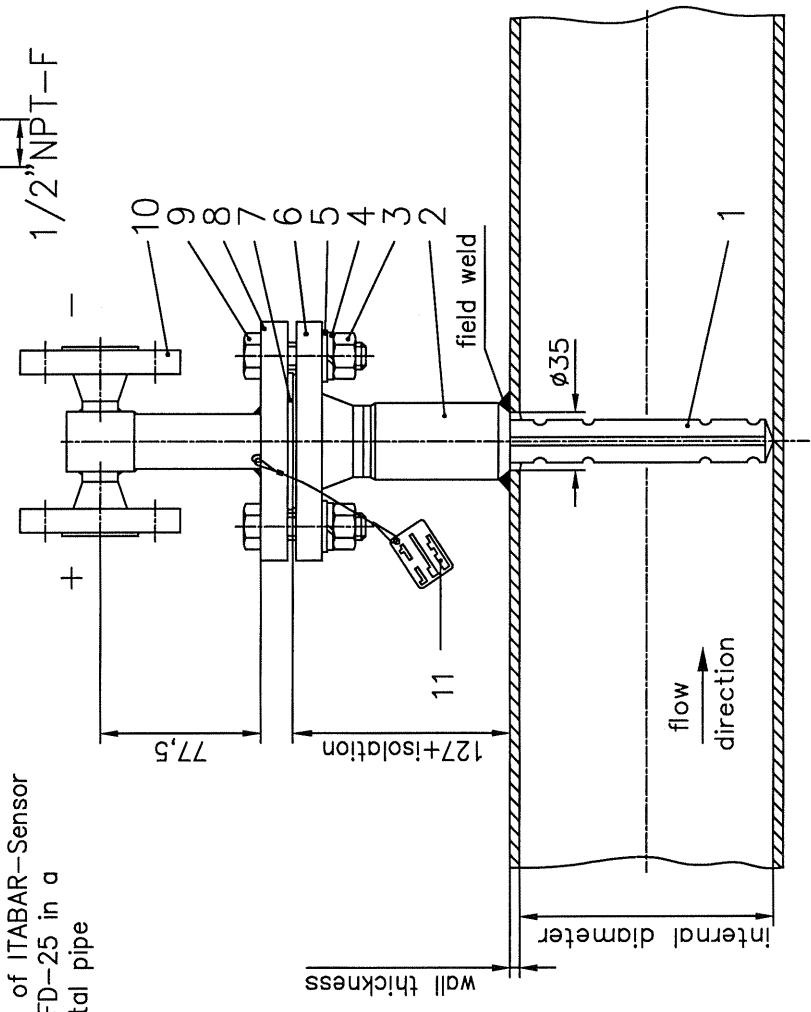


client	
quotation/order	
TAG no.	
internal pipe diameter	
wall thickness	
medium	
max. flow	
pressure	
temperature	
density	



drawing of ITABAR-Sensor type IBFD-25 in a horizontal pipe



drawing of ITABAR-Sensor type IBFD-25 without instrument connection

19 shut-off valve	2	A 105	316Ti
18 gasket	2	Klingersil	Klingersil
17 condensation vessel ø88,9	2	CS	316Ti
16 nut M12	4	DIN 934	5.2
15 spring washer	4	DIN 127	CS galv.
14 washer	4	DIN 125	CS galv.
13 welding neck flange DN15/PN40	2	DIN 2635	CS
12 screw M12	4	DIN 931	5.6
11 TAG plate	1	316SS	316SS
10 welding neck flange DN15/PN40	2	DIN 2635	316Ti
9 screw M16	4	DIN 931	5.6
8 sensor flange	1	316Ti	316Ti
7 gasket	1	Klingersil	Klingersil
6 welding neck flange DN32/PN40	1	DIN 2635	CS
5 washer	4	DIN 125	CS galv.
4 spring washer	4	DIN 127	CS galv.
3 nut M16	4	DIN 934	5.2
2 mounting stud	1	CS	CS
1 sensor profile ø25,4mm	1	316Ti	316Ti
item description	pc.	standard/req	standard material/alternative material

description:			
ITABAR-Flow-Sensor			
type: IBFD-25			
Datum	Name	Maßstab	Format: A4
16.11.93	A.Heyer	INTRA-AUTOMATION GmbH	
Gepr.		Otto-Hahn-Straße 20	
Norm		41515 Grevenbroich	
mat. mod.	10.03.97	NE	
new version	17.03.97	NE	
index/revision	date/home	Zeichnungs-Nr.:	Rev. Blatt:
	ZSON/STD/E/IBFD-25		2 1/1
Ursprung:	Ers. durch:		