

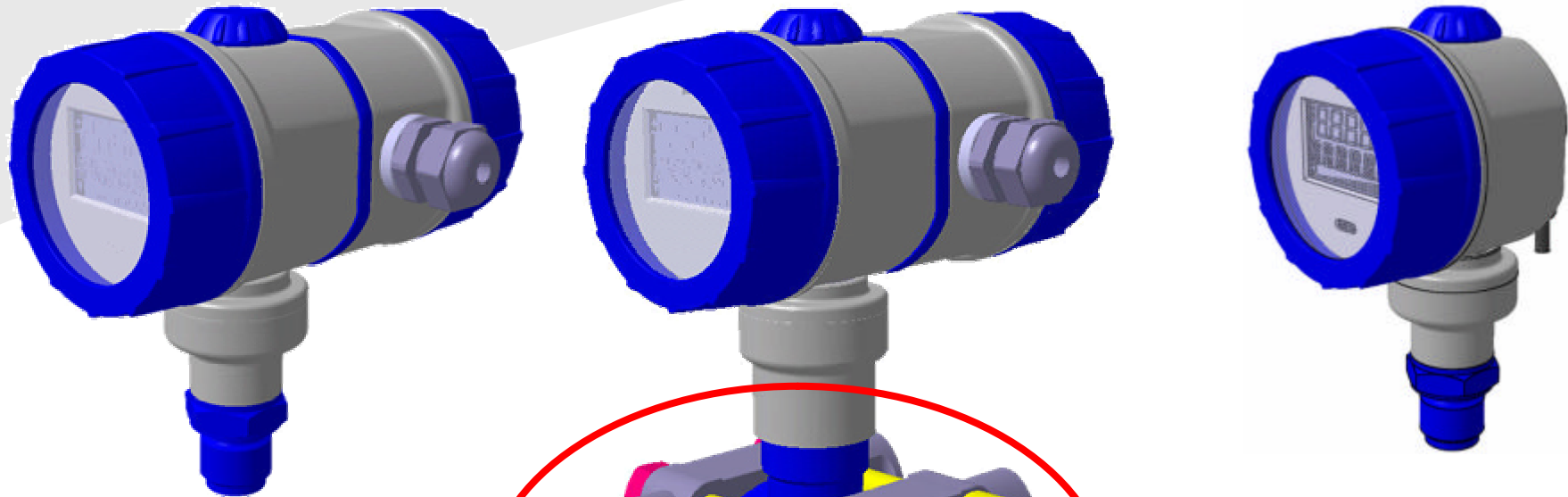
Welcome



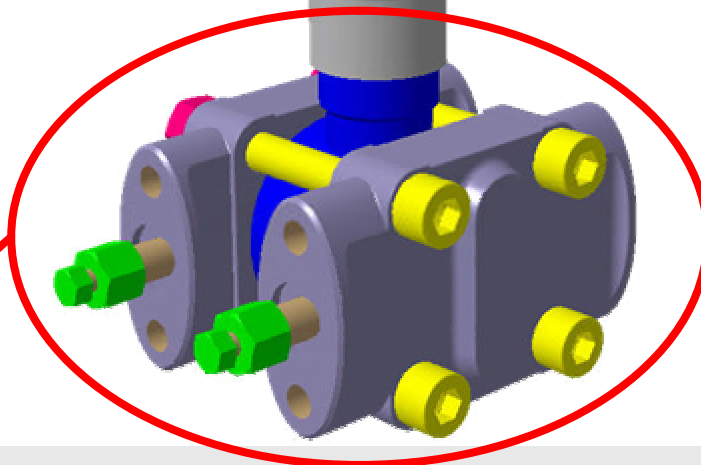
New product:
Pressure transmitter
JUMO dTRANS p20



New in 2008: Pressure transmitter JUMO dTRANS p20



Yamatake



JUMO dTRANS p02



**1st Generation
since 1999**



New in 2008: JUMO dTRANS p20



Main objective: Cost reduction

- **Worldwide market (customer, supplier, competitor)**
- **Average price will go down continuously**
- **In addition: Temporary high EURO**

New in 2008: JUMO dTRANS p20



Secondary objective: improvement of performance

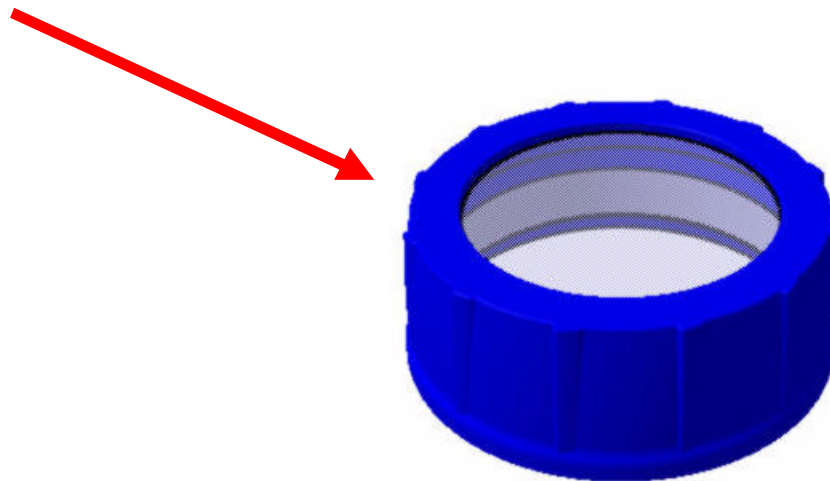
- **Nonlinearity:** **0.07%**
- **Turn-Down:** **1:40**
- **Stability:** **0.1% / year**

New in 2008: JUMO dTRANS p20



Feature: new materials

- housing: stainless steel (instead of aluminium)
- cap: plastic + stainless steel + glass



New in 2008: JUMO dTRANS p20

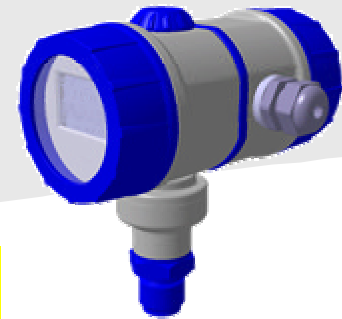


Feature: Ex-approval

- EEx ia
- EEx d

New in 2008: JUMO dTRANS p20

JUMO



Feature:

**Simple operation via a single control knob,
also for EEx d version**

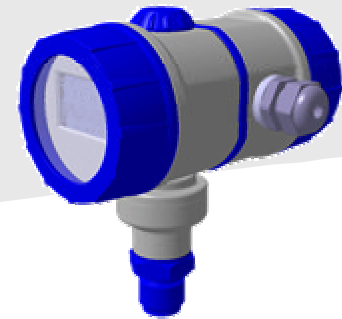
Special feature of dTRANS p20:

**allows full operating within Ex-area
while being in use
(without opening of the housing)**



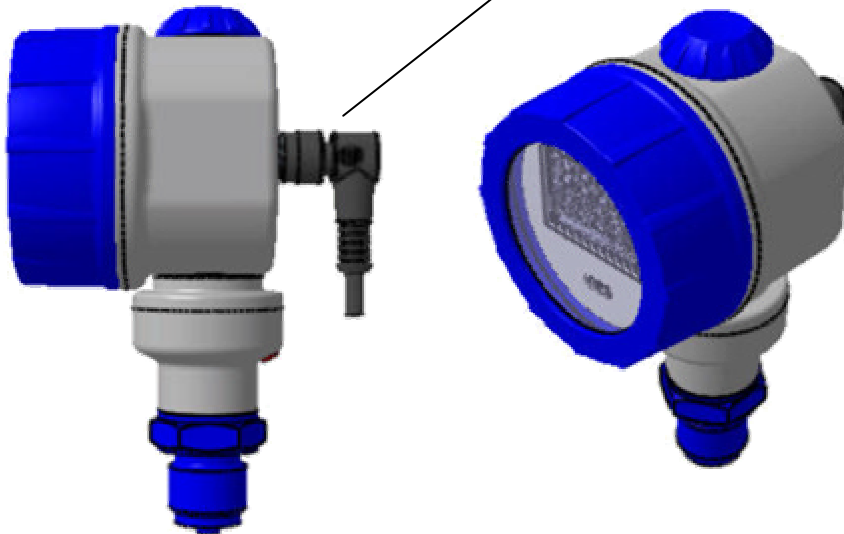
New in 2008: JUMO dTRANS p20

JUMO



Feature: optionally compact housing

- approx. half depth, with connector M 12



**- intended for food and
beverage industries**

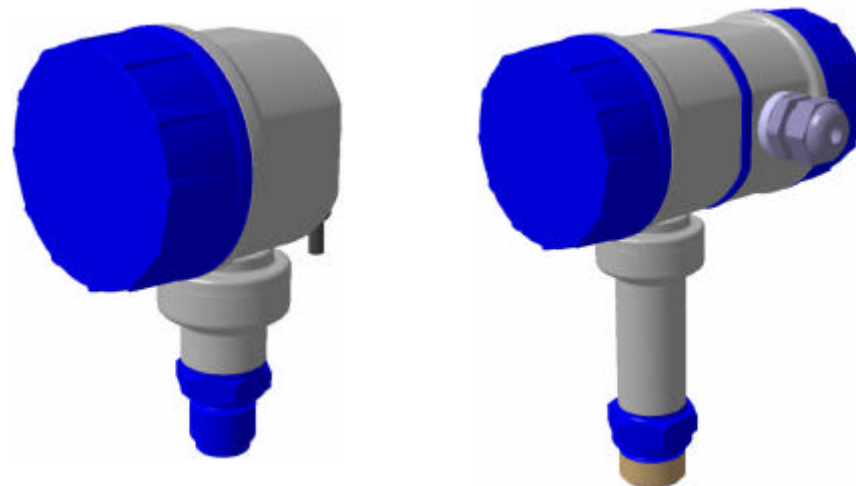
**- e.g: Replacement
of pressure gauges**

New in 2008: JUMO dTRANS p20



Feature: simple variants

- without display / without control knob
- configuration and operation via HART-protocol





Thank you very much
for your attention !



JUMO dTRANS p20
pressure transmitter