

E	1	3	5
V	2	4	6

1

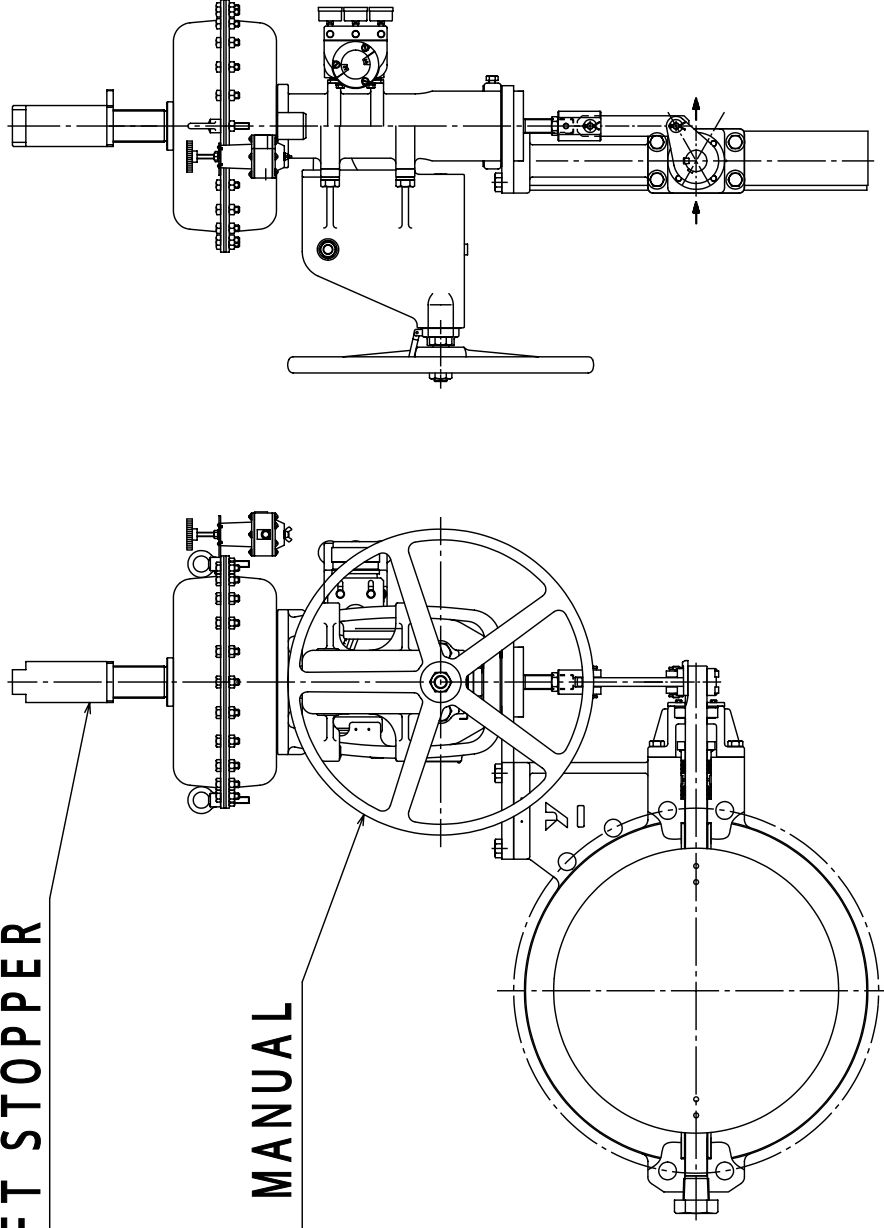
2

4

5

LIFT STOPPER

SIDE HAND MANUAL



REFERENCE DRAWING

UNIT : mm

BUTTERFLY VALVE (PLAIN TYPE)

MODEL NO. VBZ

DATE APR. 17. '06
REF.

DRAWING NO. XVE-4602-02

