

Air Purge Sets

S Type (Liquid Level Measurement)

W Type (Specific Gravity Measurement)

These Air Purge Sets are used for liquid level or specific-gravity measurement.

Specifications

Construction:

Rotameter, $\phi 50$ pressure gauge, pressure regulating valve, switch cock (when specified), differential pressure adjusting valve, etc.

Measuring range:

S type; (Liquid level measurement);
0 ~ 3kPa to 0 ~ 100kPa { 0 ~ 300mm H₂O to 0 ~ 10m H₂O }

W type (Specific-gravity measurement);
0.1 or over of difference between minimum and maximum specific gravities.

Accuracy: $\pm 1\%$ of scale range

Piping connection: Rc $\frac{1}{4}$ or $\frac{1}{4}$ NPT internal thread

Air supply:

S type; Air pressure higher than measuring range.

W type: Depends on specific-gravity measuring range and liquid immersed section.
(Normally, 50kPa {0.5kgf/cm²} or over.)

Purging air flow:

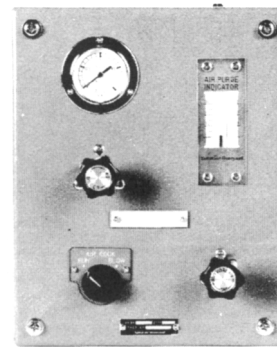
S type; 0.6 liters/minute

W type; 0.4 liters/minute (two bubblers)

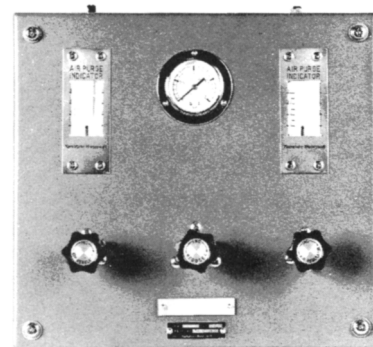
Bubbler material (excluding insertion tube):

Vinyl, SUS316

Assembly panel finish color: Dark beige

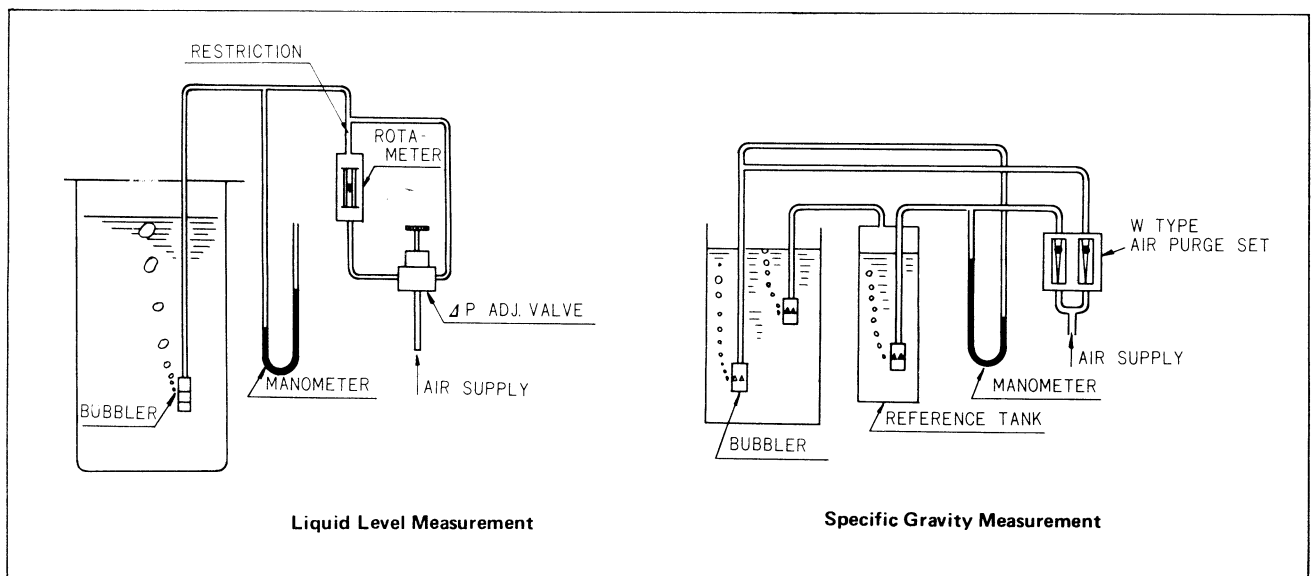


S Type Air Purge Set



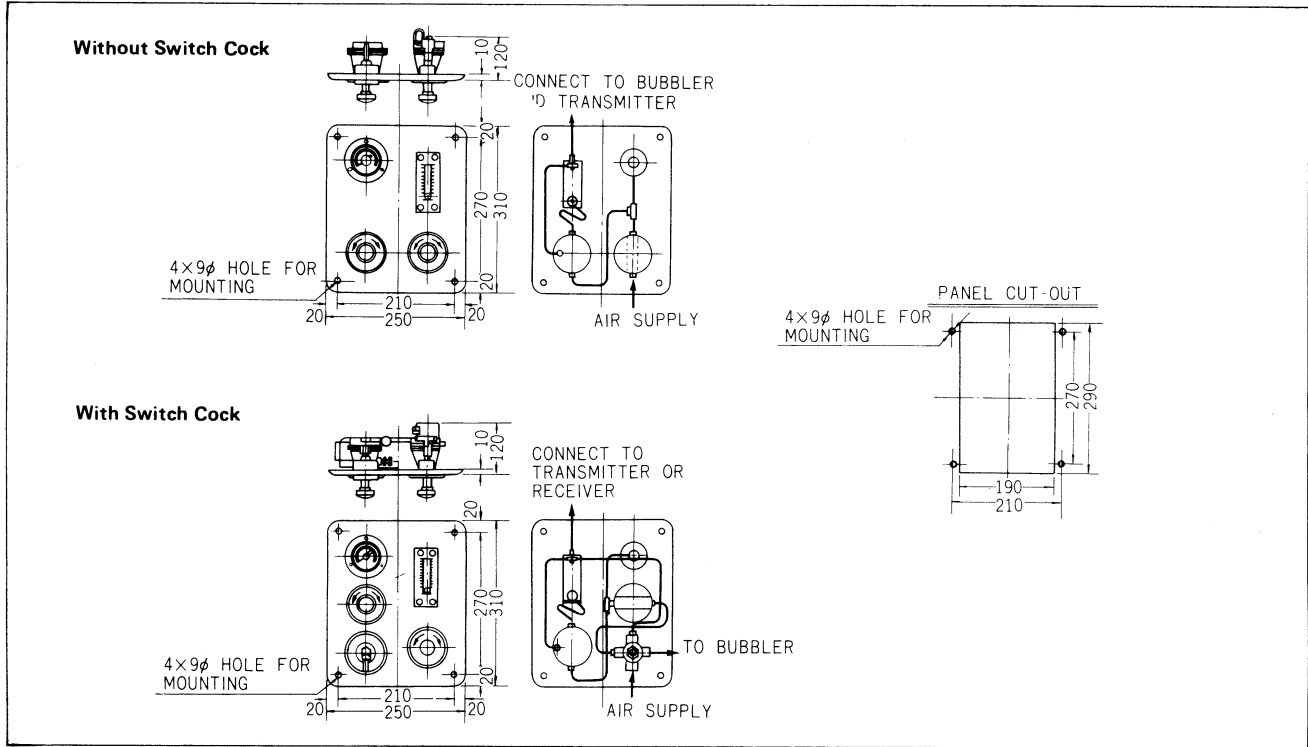
W Type Air Purge Set

Principle of Operation

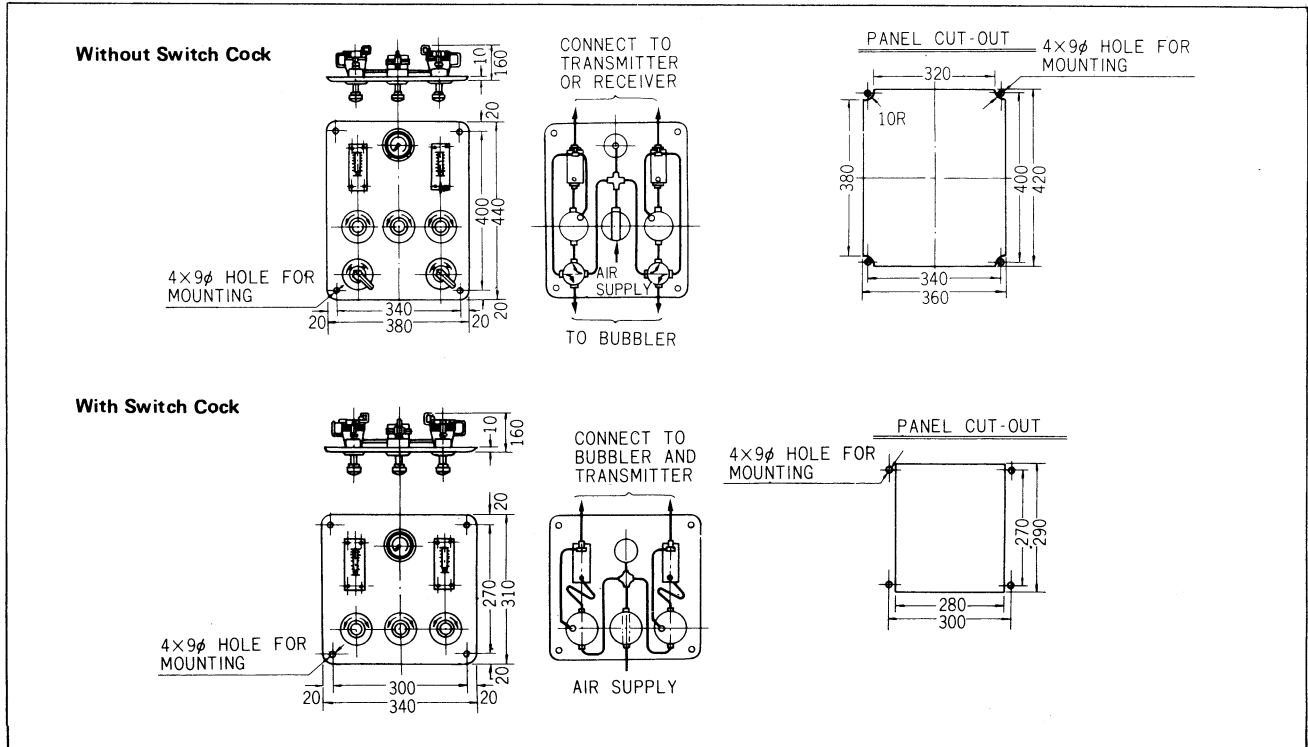


Dimensions

S Type Air Purge Set



W Type Air Purge Set



Specifications are subject to change without notice.

azbil

Yamatake Corporation
Advanced Automation Company

1-1-32 New Stage Yokohama, Shin-urashima-cho,
Kanagawa-ku, Yokohama, Kanagawa-ken 221-0031, Japan

URL:<http://www.azbil.com>