

Pressure Equalising Valves

To fit Differential Pressure Gauges or Transmitters • Model 910.25

Accessories, Mechanical

Service intended

These pressure equalising valves to fit differential pressure gauges or transmitters are suitable for liquid and gaseous pressure media. Pressure ratings of PN 40, PN 100 and PN 400 are available.

PN 100 and PN 400 valves feature seating cones at both, open and close position in order to relieve the spindle gland from the system pressure.

One-way valve manifolds

(Pressure equalising only)

These are intended to bypass the pressure instrument to enable:

- Equalisation of the pressures at high pressure and low pressure side during start-up of the pressure system.
- Zero-inspection of the instrument during operation.

The valve must be closed during normal pressure gauge operation.

Three-way valve manifolds

(Pressure equalising and isolation of the pressure instrument)

These feature integral isolating valves in addition to the one-way valve, enabling:

- To isolate the pressure instrument for inspection or replacement purposes and
- during hydrostatic pressure test of the system beyond the pressure rating of the instrument.

Five-way valve manifolds

These manifolds feature integral purging valves in addition to the features of a three-way manifold,

- to enable air bleeding or
- purging of the system while the pressure instrument is operative.

Standard features PN 40 - Cu-alloy

(One-way and three-way valve manifolds)

Pressure rating PN: 40 bar
 Nominal diameter DN: 3.5 mm
 Operating temperature: - 20 ... + 90 °C

Exposed to pressure medium

Body: Cu-alloy
 Spindle and valve cone: stainless steel
 Gland packing: O-ring NBR (Buna rubber)

Valve element (replaceable)

Spindle: with rigid single cone (no backup seal)
 Spindle thread: exposed to pressure medium
 Wheel: thermosed plastic, Ø 40 mm

Pressure gauge connection

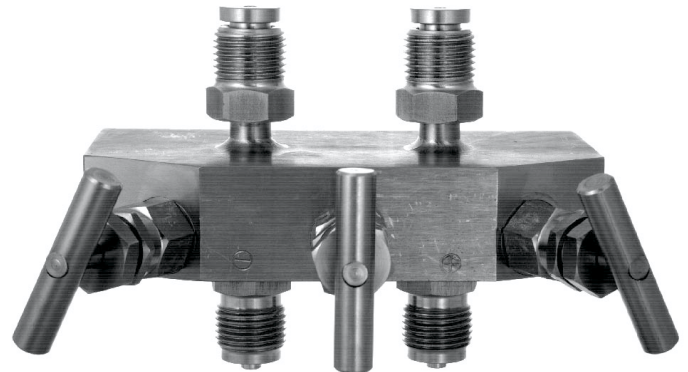
2 x union nut G ½

Process connection

2 x male pipe thread. Size see table page 2

Optional extra

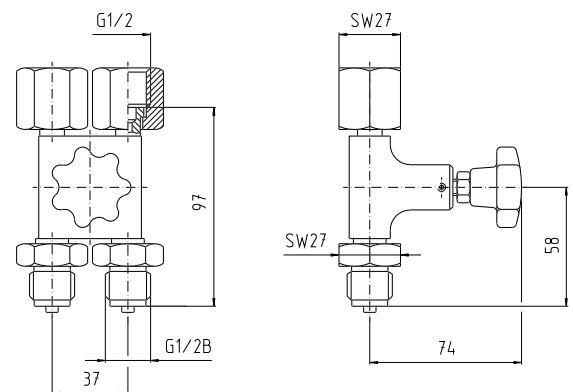
Surface mounting bracket



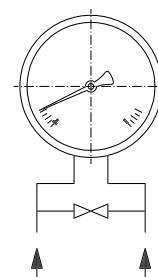
Three-way valve manifold PN 400

Dimensions

One-way valve manifold PN 40



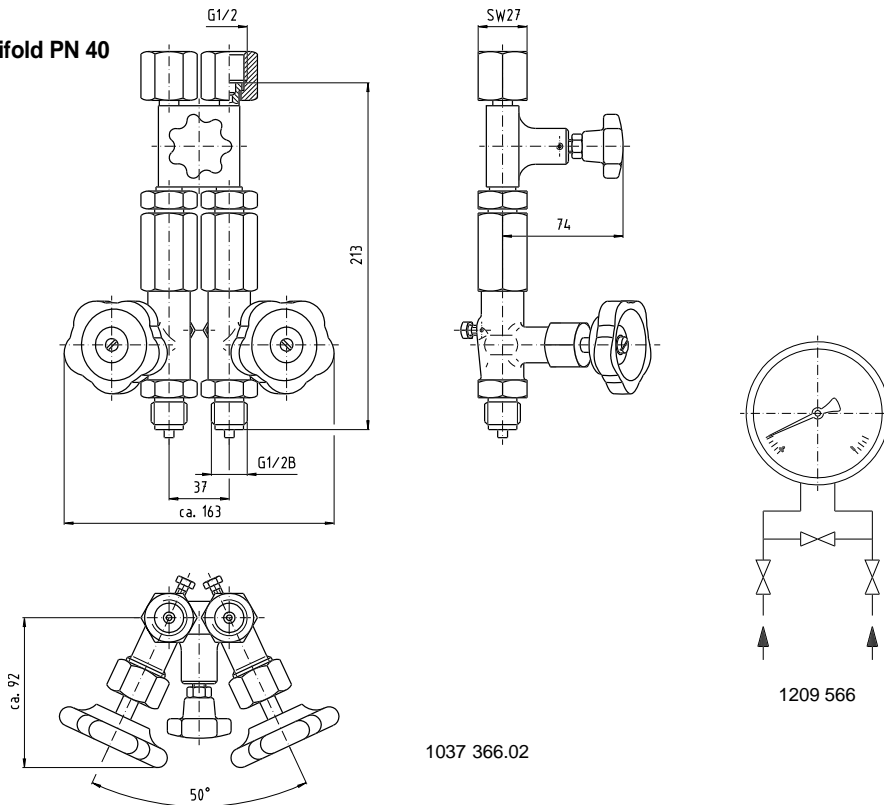
1037 358.02



1209 558

Dimensions

Three-way valve manifold PN 40



1037 366.02

Table for version PN 40

To fit differential pressure gauge Model	Nominal size	Connection distance [mm]	Connection geometry		Product no.	
			Pressure gauge connection	Process connection	One-way valve manifold	Tree-way valve manifold
712.20 716.11	100 / 160	37	Union nut G ½	G ½ B	85 00525	85 00550
				½ NPT	85 00533	-
				M 20 x 1.5	85 00541	-

Standard features PN 100 - Stainless steel (One-way, three-way and Five-way valve manifolds)

Pressure rating PN: 100 bar
Nominal diameter DN: 3.5 mm
Operating temperature: - 20 ... + 250 °C

Exposed to pressure medium

Body, spindle and valve cone: stainless steel
Gland packing: PTFE (Teflon)

Valve element (replaceable)

Spindle: with pivoted double cone
Spindle thread: non exposed to pressure medium
Wheel: stainless steel, Ø 10 x 44 mm

Pressure gauge connection

2 x press screw G ¼ B or union nut G ½

Process connection

2 x male pipe thread. Size see table page 3

Installation

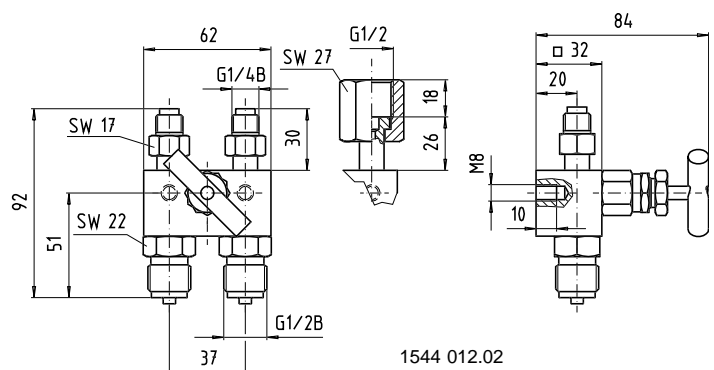
With blind bore 2 x M 8 to accept fixing bolts

Optional extras

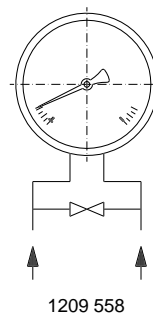
- Degreased for oxygen service
- Other process connection: screws for pipe with pipe diameter Ø 6 - 12 mm

Dimensions

One-way valve manifold PN 100

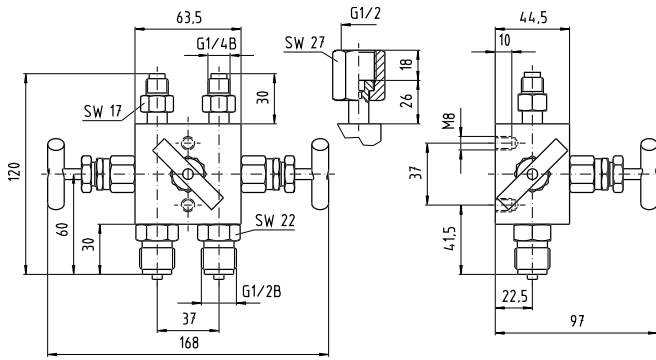


1544 012.02

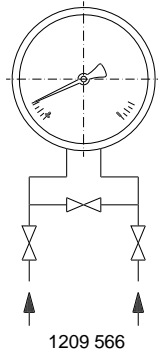


Dimensions

Three-way valve manifold PN 100

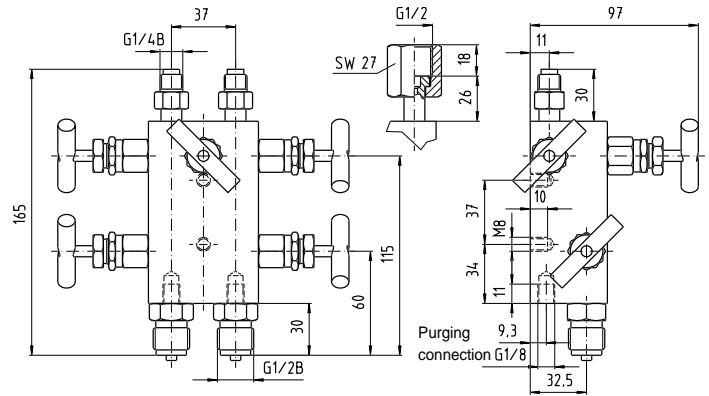


1544 020.02

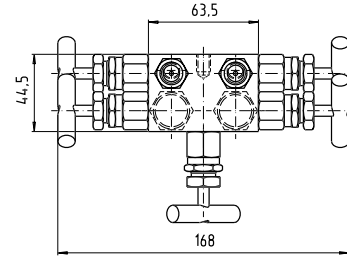


1209 566

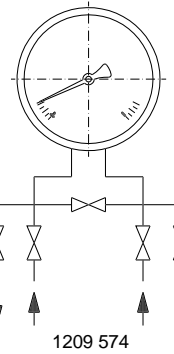
Five-way valve manifold PN 100



1544 071.02



Purging and air-bleed connection
2 x G 1/8 inside threading



1209 574

Table for version PN 100

To fit differential pressure gauge or transmitter Model	Nominal size	Connection distance [mm]	Connection geometry		Product no.		
			Pressure gauge connection	Process connection	One-way valve manifold	Three-way valve manifold	Five-way valve manifold
732.51 / 897.01.1998	100 / 160	37	Press screw G 1/4 B	G 1/2 B	14 34365	14 34390	14 34420
				1/2 NPT	14 34373	14 34403	14 34438
Union nut G 1/2			G 1/2 B	14 33512	14 33520	14 34314	
			1/2 NPT	14 34276	14 34292	14 34322	
			M 20 x 1.5	-	14 34306	-	

Standard features PN 400 - Stainless steel (One-way, three-way and Five-way valve manifolds)

Pressure rating PN: 400 bar
 Nominal diameter DN: 3.5 mm
 Operating temperature: - 20 ... + 250 °C

Exposed to pressure medium

Body, spindle and valve cone: stainless steel
 Gland packing: PTFE (Teflon)

Valve element (replaceable)

Spindle: with pivoted double cone
 Spindle thread: non exposed to pressure medium
 Wheel: stainless steel, Ø 10 x 44 mm

Pressure gauge connection

2 x press screw G 1/2 B or union nut G 1/2

Process connection

2 x male pipe thread. Size see table page 4

Installation

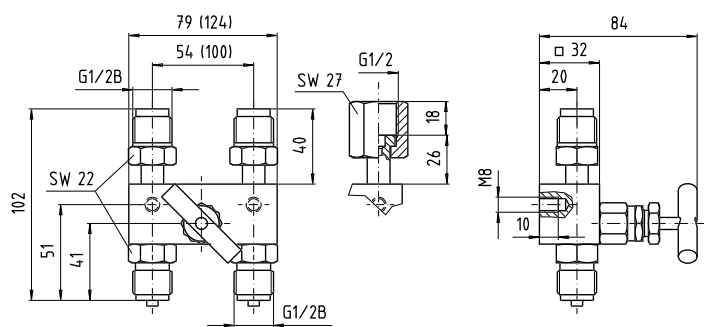
With blind bore 2 x M 8 to accept fixing bolts

Optional extras

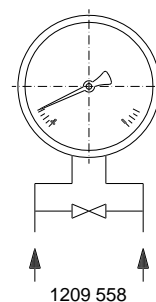
- Degreased for oxygen service
- Other process connection: screws for pipe with pipe diameter Ø 6 - 12 mm

Dimensions

One-way valve manifold PN 400



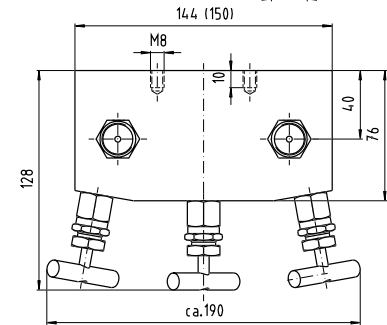
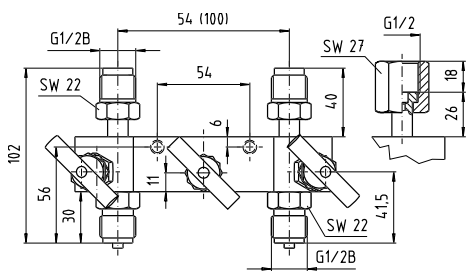
1544 047.02



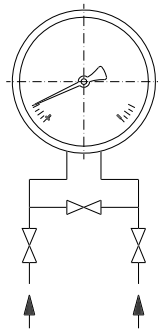
1209 558

Dimensions

Three-way valve manifold PN 400

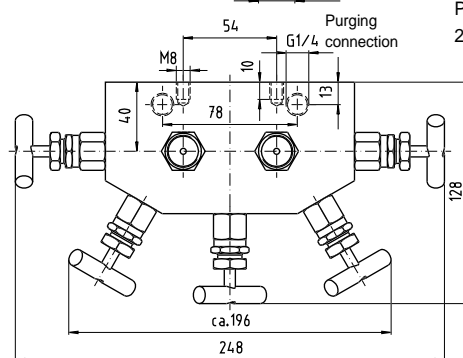
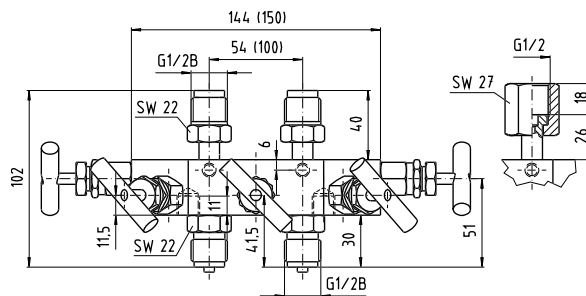


1544 055.02



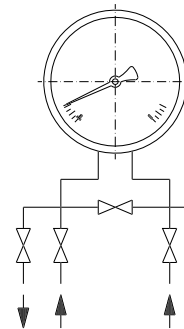
1209 566

Five-way valve manifold PN 400



Purging and air-bleed connection
2 x G 1/4 inside threading

1544 063.01



1209 574

Table for version PN 400

To fit differential pressure gauge or transmitter Model	Nominal size	Connection distance [mm]	Connection geometry		Product no.		
			Pressure gauge connection	Process connection	One-way valve manifold	Three-way valve manifold	Five-way valve manifold
732.14 / 897.01.1884 732.12 (≥ 0.6 bar)	100 / 160	54	Press screw G 1/2 B	G 1/2 B	14 34730	14 34764	14 34802
	100			1/2 NPT	14 34748	14 34780	14 34810
732.12 (≥ 0.6 bar)	160		Union nut G 1/2	G 1/2 B	15 44080	14 98312	15 44098
				1/2 NPT	15 44101	14 98320	15 44110
732.12 (≤ 0.4 bar)	100 / 160	100	Press screw G 1/2 B	G 1/2 B	14 34837	14 34861	14 35370
				1/2 NPT	14 34845	14 34870	14 35388

Ordering information

To order the described products the 7-digit product number is sufficient / Optional extras required

Specifications and dimensions given in this leaflet represent the state of engineering at the time of printing. Modifications may take place and materials specified may be replaced by others without prior notice.



WIKA Alexander Wiegand GmbH & Co. KG
Alexander-Wiegand-Straße · 63911 Klingenberg
☎ (0 9372) 132-0 · ☎ (0 9372) 132-406/414
http://www.wika.de · E-mail: info@wika.de