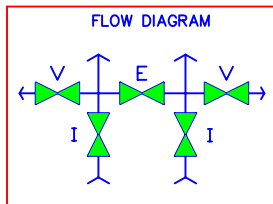
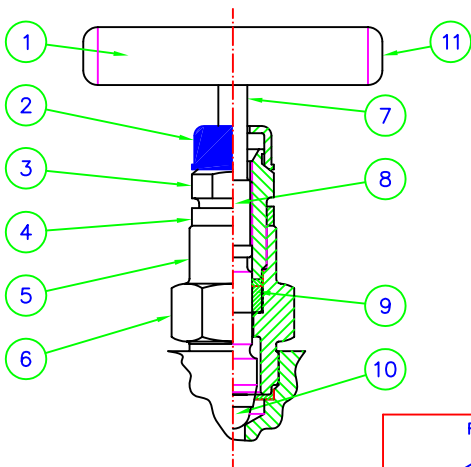


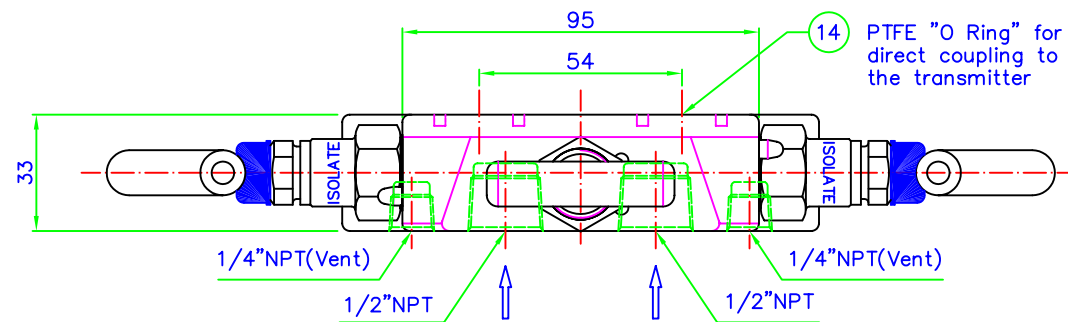
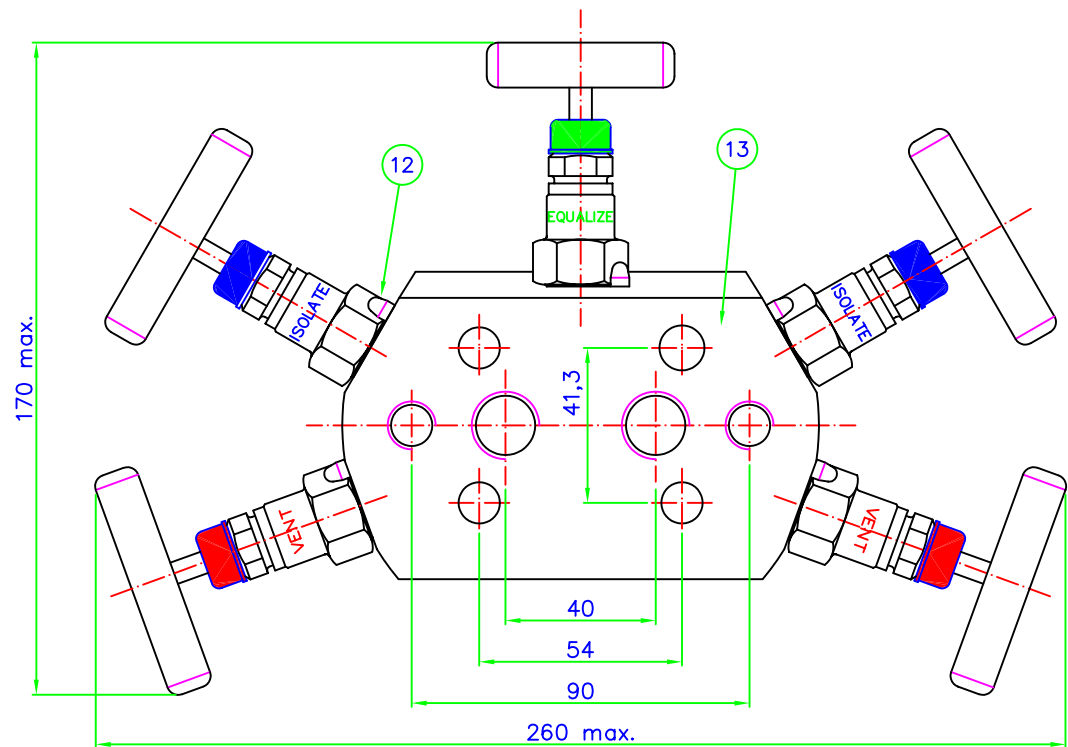
Item Nr.	Description	Q.ty	Materials *
1	TEE-BAR	5	St.St.
2	DUST CUP	5	Plastic
3	COMPRESSION NUT	5	St.St.
4	LOCKING NUT	5	St.St.
5	BONNET ASS.LY	5	St.St. 316
6	BONNET BODY	5	St.St. 316
7	STEM	5	St.St. 316
8	FOLLOWER	5	St.St. 316
9	PACKING	5	PTFE/Graphite
10	TRIM	5	St.St. 316
11	TEE-BAR SCREW	5	St.St.
12	LOCKING PIN	5	St.St.
13	BODY	1	St.St. 316/C. St.
14	"O RING"	2	PTFE

\* Different materials on application  
 Δ Rating : 6.000 PSI Standard  
 10.000 PSI on application



CE – ATEX  
 File Nr.: ISSeP03ATEX110

Dimensioni in mm  
 All dimensions are in mm



14 PTFE "O Ring" for direct coupling to the transmitter

		TITOLO: FIVE VALVE DIRECT MODELLO: N-560-DFB MODEL: N-560-DFB CODICE: . CODE: .		DISEGNO: N-560-DFB DWG.:	
		20013 Magenta (MI) - Italy - Via Novara, 10/B Tel.02.97.29.86.63 r.a. - Fax 02.97.29.18.55 E-mail: indra@indra.it - http://www.indra.it		REV.: 00    DATA: 20-10-03 DATE:	
SCALA: N.A. SCALE:		FOGLIO: 1/1 SHEET:		SERIE: NL SERIES:	
DISEGNATO DA: D. Sar DRAWN BY:		CONTROLLATO DA: A. Cer CONTROLLED BY:		APPROVATO DA: R.I. APPROVED BY:	
DATA: 13-05-2003 DATE:		DATA: 13-05-2003 DATE:		DATA: 13-05-2003 DATE:	
I disegni possono essere soggetti a modifiche senza alcun preavviso. E' vietata la riproduzione integrale o parziale del presente documento senza esplicita autorizzazione scritta da parte di INDRA SRL. Drawings maybe subject to changes without previous notice. This document is property of INDRA SRL. No exploitation or release of any text contained herein or relating to this document is permitted in any form without the written consent of INDRA SRL.					