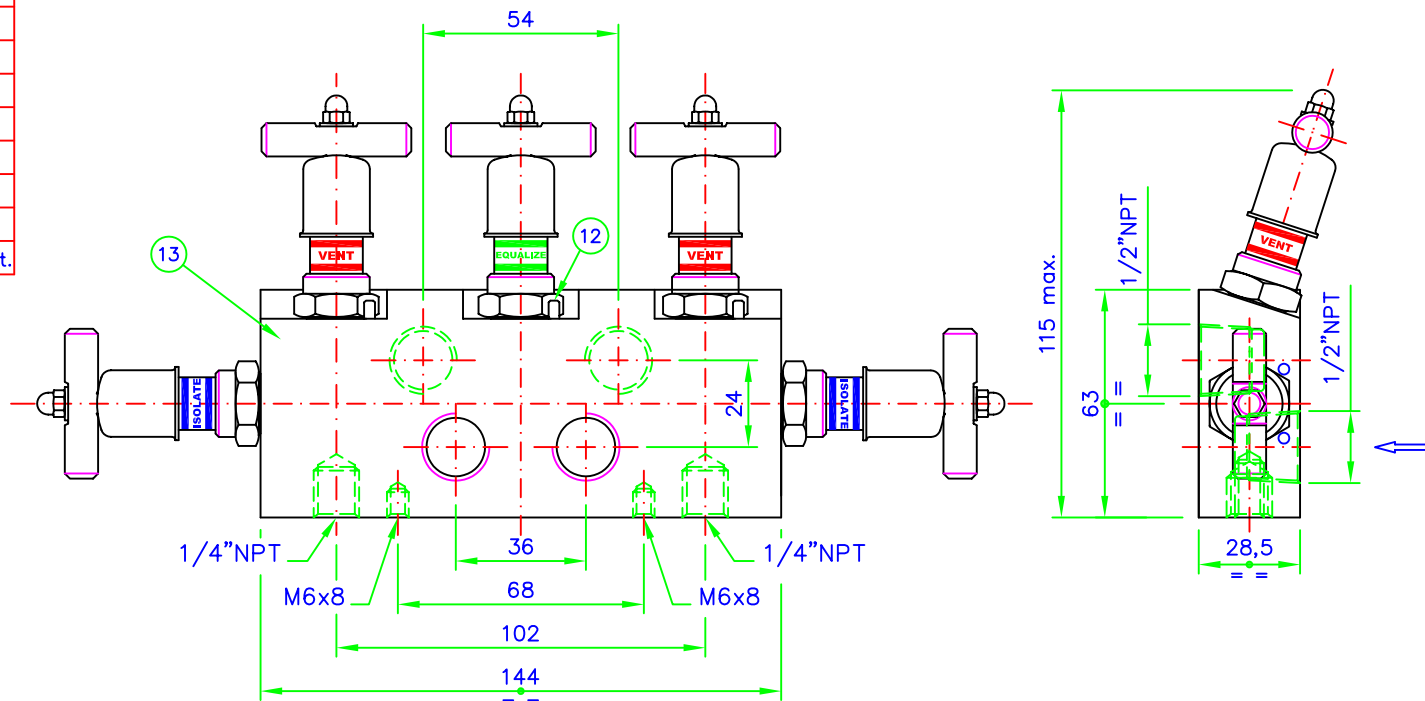
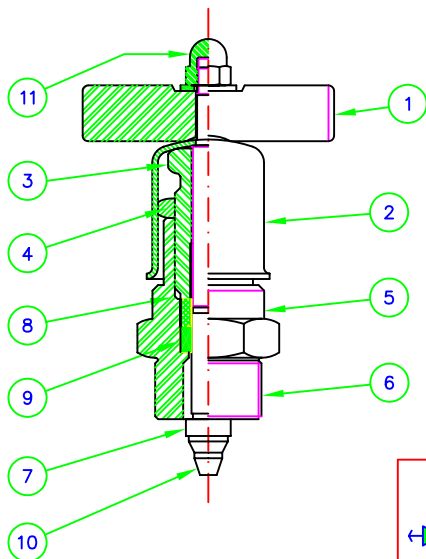
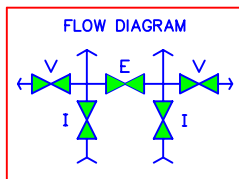


Item Nr.	Description	Q.ty	Materials *
1	TEE-BAR	5	St.St.
2	DUST CUP	5	Plastic/St.St.
3	COMPRESSION NUT	5	St.St.
4	LOCKING NUT	5	St.St.
5	BONNET ASS.LY	5	St.St. 316
6	BONNET BODY	5	St.St. 316
7	STEM	5	St.St. 316
8	FOLLOWER	5	St.St. 316
9	PACKING	5	PTFE/Graphite
10	TRIM	5	St.St. 316
11	TEE-BAR SCREW	5	St.St.
12	LOCKING PIN	5	St.St.
13	BODY	1	St.St. 316/C. St.

\* Different materials on application  
 Δ Rating : 6.000 PSI Standard



Dimensioni in mm  
 All dimensions are in mm.



		TITOLO:	FIVE VALVE REMOTE 1/2"NPT	DISEGNO:	C-569-DDB
		TITLE:	FIVE VALVE REMOTE 1/2"NPT	DWG.:	C-569-DDB
20013 Magenta (MI) - Italy - Via Novara, 10/B Tel.02 97.29.86.63 r.a. - Fax 02 97.29.18.55 E-mail: indra@indra.it - http://www.indra.it		MODELLO:	C-569-DDB	REV.:	00
		MODEL:		DATA:	26-11-2003
		CODICE:		NOTE/NOTES:	
		CODE:			
SCALA:	N.A.	FOGLIO:	1/1	SERIE:	CL
SCALE:		SHEET:		SERIES:	
DISEGNATO DA:	D. Sar	CONTROLLATO DA:	A. Cer	APPROVATO DA:	R.I.
DRAWN BY:		CONTROLLED BY:		APPROVED BY:	
DATA:	22-10-2003	DATA:	22-10-2003	DATA:	22-10-2003
DATE:		DATE:		DATE:	

I disegni possono essere soggetti a modifiche senza alcun preavviso. E' vietata la riproduzione integrale o parziale del presente documento senza esplicita autorizzazione scritta da parte di INDRA SRL.  
 Drawings maybe subject to changes without previous notice. This document is property of INDRA SRL. No exploitation or release of any text contained herein or relating to this document is permitted in any form without the written consent of INDRA SRL.