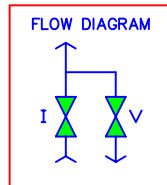
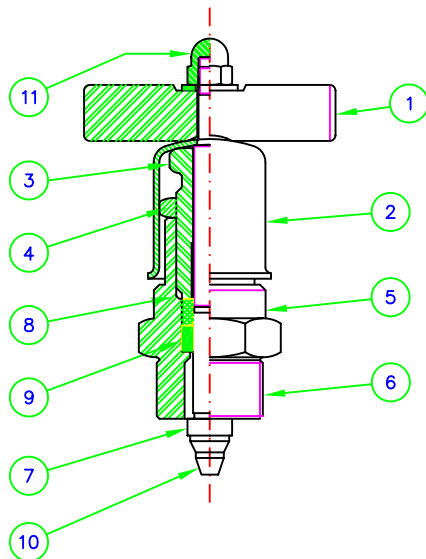
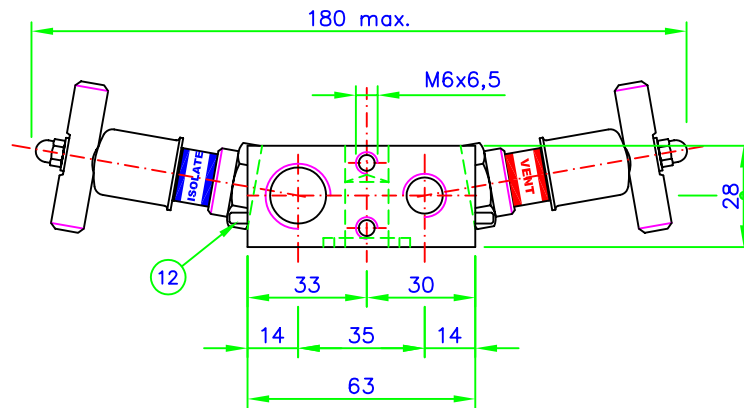
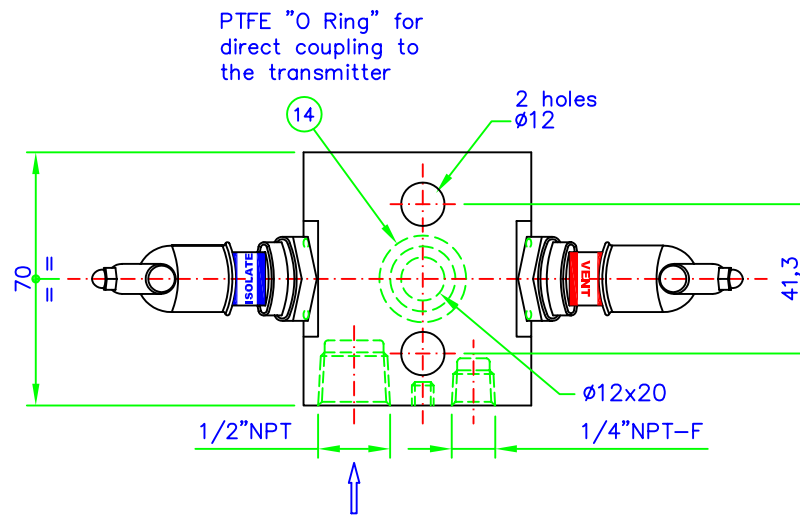


Item Nr.	Description	Q.ty	Materials *
1	TEE-BAR	2	St.St.
2	DUST CUP	2	Plastic/St.St.
3	COMPRESSION NUT	2	St.St.
4	LOCKING NUT	2	St.St.
5	BONNET ASS.LY	2	St.St. 316
6	BONNET BODY	2	St.St. 316
7	STEM	2	St.St. 316
8	FOLLOWER	2	St.St. 316
9	PACKING	2	PTFE/Graphite
10	TRIM	2	St.St. 316
11	TEE-BAR SCREW	2	St.St.
12	LOCKING PIN	2	St.St.
13	BODY	1	St.St. 316/C. St.
14	"O RING"	1	PTFE

\* Different materials on application  
 Δ Rating : 6.000 PSI Standard



Dimensioni in mm  
 All dimensions are in mm.



		TITOLO: TWO VALVE DIRECT 1/2"NPT	DISEGNO: C-260-DFB
		TITLE: TWO VALVE DIRECT 1/2"NPT	DWG.: C-260-DFB
20013 Magenta (MI) - Italy - Via Novara, 10/B Tel.02 97.29.86.63 r.a. - Fax 02 97.29.18.55 E-mail: indra@indra.it - http://www.indra.it		MODELLO: C-260-DFB	REV.: 00
		MODEL: C-260-DFB	DATA: 26-11-03
		CODICE:	NOTE/NOTES:
		CODE:	
SCALA: N.A.	FOGLIO: 1/1	SERIE: CL	
SCALE: N.A.	SHEET: 1/1	SERIES: CL	
DISEGNATO DA: D. Sar	CONTROLLATO DA: A. Cer	APPROVATO DA: R.I.	
DRAWN BY: D. Sar	CONTROLLED BY: A. Cer	APPROVED BY: R.I.	
DATA: 22-10-2003	DATE: 22-10-2003	DATE: 22-10-2003	

I disegni possono essere soggetti a modifiche senza alcun preavviso. E' vietata la riproduzione integrale o parziale del presente documento senza esplicita autorizzazione scritta da parte di INDRA SRL.  
 Drawings may be subject to changes without previous notice. This document is property of INDRA SRL. No exploitation or release of any text contained herein or relating to this document is permitted in any form without the written consent of INDRA SRL.