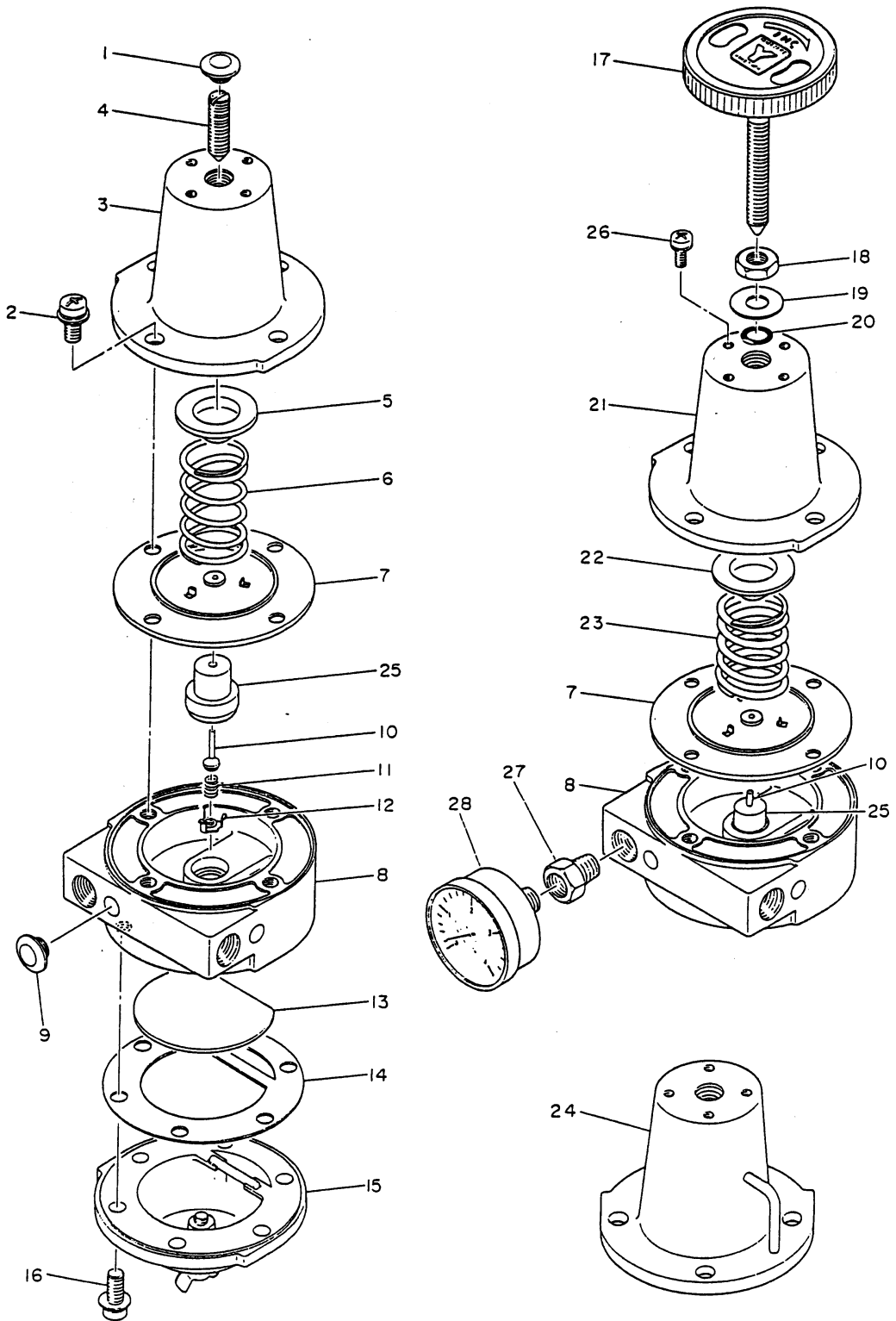


KZ03

**Pressure Regulator with Filter**



Key No.	Description	Quantity	Part No.
1	water-proof cap, for fixed pressure type	1	80330446-001
2	screw	4	80330708-001
3	bonnet	1	see table (1)
4	set screw, for fixed range type only	1	80330445-001
5	spring follower	1	80330439-001
6	setting spring, for fixed range type (1.4 kgf/cm <sup>2</sup> )	1	80330436-003
7	diaphragm assembly	1	see table (2)
*8	center ring assembly	1	see table (3)
9	water-proof cap	2	80330446-001
*10	poppet, 1.4 kgf/cm <sup>2</sup>	1	80330433-001
*10	poppet, 3.5 & 7 kgf/cm <sup>2</sup>	1	80330433-002
*11	poppet spring	1	see table (2)
*12	poppet spring holder	1	80330434-001
13	filter	1	80330441-001
14	gasket	1	80330440-001
15	filter cover assembly	1	see table (3)
16	screw	6	80330708-001
17	setting knob assembly for variable pressure type	1	80330443-001
18	nut, for variable pressure type	1	352-20800
19	washer, for variable pressure type	1	82592427-101
20	"O" ring, for variable pressure type	1	80330465-002
21	bonnet	1	see table (1)
22	spring follower	1	80330439-001
23	setting spring, for variable pressure (0.12 to 3.5 kgf/cm <sup>2</sup> ) type	1	80330438-001
23	setting spring, for variable pressure (0.12 to 7 kgf/cm <sup>2</sup> ) type	1	80330437-001
24	bonnet, sand protected	1	see table (1)
*25	poppet guide, for fixed range type (1.4 kgf/cm <sup>2</sup> )	1	80330707-001
*25	poppet guide, for variable pressure (0.12 to 3.5 & 0.12 to 7 kgf/cm <sup>2</sup> )	1	80330707-002
26	screw, for variable pressure type	4	397-204-080
**27	bushing, for 1.4 kgf/cm <sup>2</sup> pressure	1	80021898-001
**27	bushing, for 7 kgf/cm <sup>2</sup> pressure	1	80021898-005
**28	40 $\phi$ gauge	1	see table (4)

Note: 1. Parts with (\*) mark do not disassemble.  
Please order these parts as a assembled unit.

2. Parts with (\*\*) mark are options.

Table (1)

Range (kgf/cm <sup>2</sup> )	Coating	Key No. 3 & 21 Part No.	Key No. 24 Part No.
1.4 (fixed) 0.12 to 3.5 (variable)	light beige corrosion- proof finish (standard)	80330705-001	80330699-001
	light beige heavy corro- sion-proof finish (Y138B)	80330705-002	80330699-002
	white silver corrosion- proof finish (Y138D)	80330705-003	80330699-003
0.12 to 7 (variable)	light beige corrosion- proof finish (standard)	80330705-101	80330699-101
	light beige heavy corro- sion-proof finish (Y138B)	80330705-102	80330699-102
	white silver corrosion- proof finish (Y138D)	80330705-103	80330699-103

Table (2)

Range (kgf/cm <sup>2</sup> )	Ambient Temperature	Key No. 7 Part No.	Key No. 11 Part No.
1.4 (fixed) 0.12 to 3.5 (variable)	-30 to 80°C	80330428-001	80330435-001
	-30°C or low	80330428-002	80330435-002
	+60 to +80°C (for control valve)	80330428-003	80330435-001
0.12 to 7 (variable)	-30 to 80°C	80330428-101	80330435-001
	-30°C or low	80330428-102	80330435-002
	+60 to +80°C (for control valve)	80330428-103	80330435-001

Table (3)

Coating	Air Connections	Key No. 8 Part No.	Key No. 15 Part No.
light beige corrosion- proof finish (standard)	PT 1/4	80330704-001	80331125-001
	1/4 NPT	80330704-002	
light beige heavy corrosion-proof finish	PT 1/4	80330704-003	80331125-002
	1/4 NPT	80330704-004	
white silver corrosion- proof finish	PT 1/4	80330704-005	80331125-003
	1/4 NPT	80330704-006	

Table (4)

Scale	Key No. 27 Part No.
0 - 2 kgf/cm <sup>2</sup>	80250366-001
0 - 4 kgf/cm <sup>2</sup>	80250366-002
0 - 10 kgf/cm <sup>2</sup>	80250366-004
0 - 30 psi	80250366-005
0 - 60 psi	80250366-006
0 - 100 psi	80250366-016