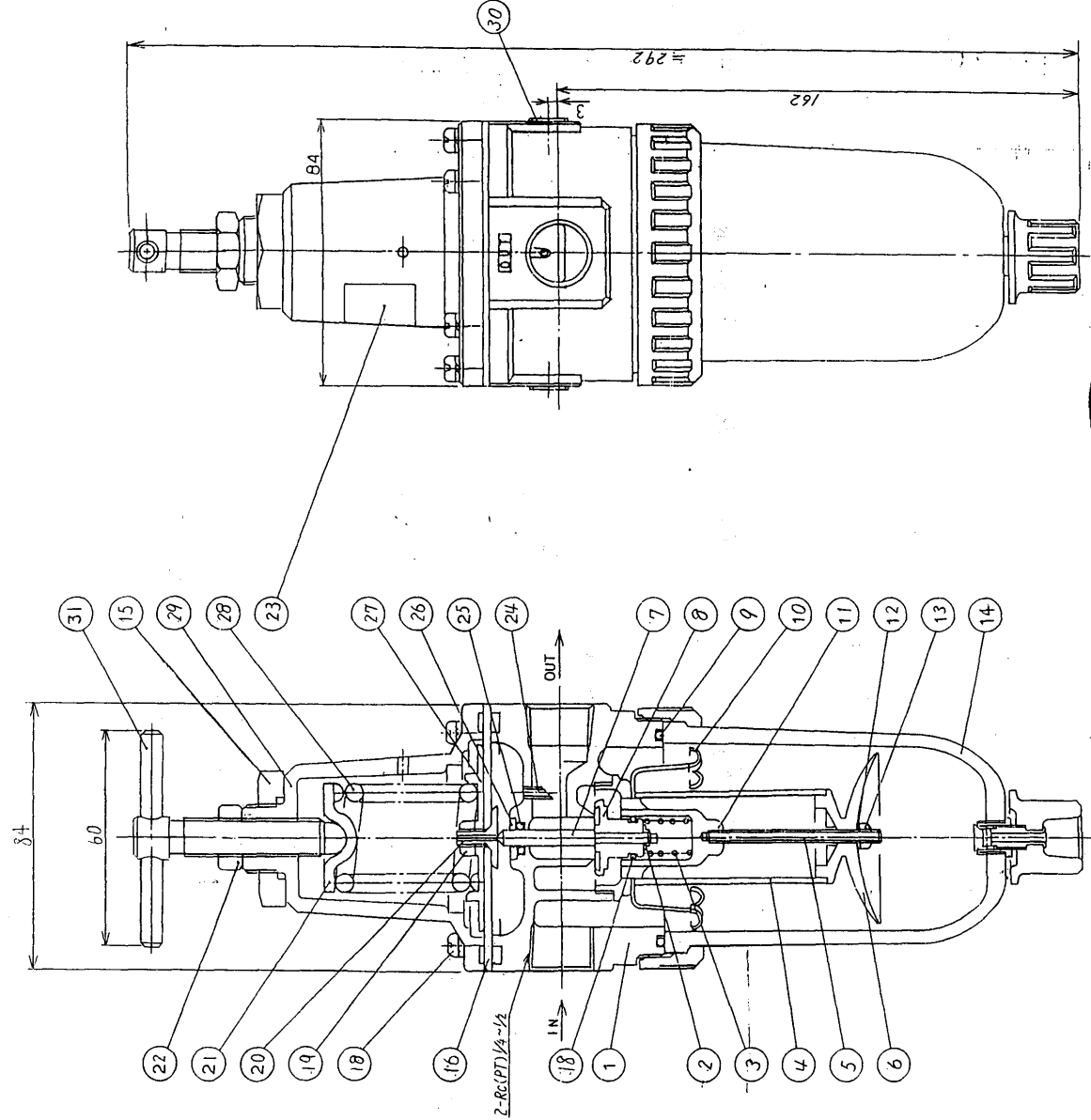


0 5 10 15 20 25 30 35 40 45 50

70~20-127-ET-VNI (V)

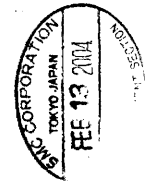


**SPECIFICATIONS**  
 PROOF PRESS. 1.5 MPa(15.3 kgf/cm<sup>2</sup>)  
 MAX. WORKING PRESS. 1.0 MPa(10.2 kgf/cm<sup>2</sup>)  
 SET PRESS. 0.05~0.83MPa(0.51~8.5kgf/cm<sup>2</sup>)  
 WORKING FLUID AIR  
 AMBIENT TEMP. AND WORKING FLUID TEMP. -5~60°C(SHOULD BE NO FREEZING)  
 RATED FILTRATION 20 μm  
 PORT SIZE 2-RC(PT)1/4~1/2  
 GAUGE PORT SIZE 2-RC(PT)1/4

ITEM	PART NO.	PART NAME	MATERIAL	QTY	REMARKS
31	1305119A	HANDLE ASSEMBLY		1	
30		PLUG	STEEL	2	KCPD <sup>1/2</sup> Ni PLATING
29	130559P	BONNET	ZINC DIE CASTING	1	CHROMATE TREATMENT
28	13056	ADJUST SPRING	STEEL WIRE	1	Zn CHROMATE TREATMENT
27	13059	DIAPHRAGM SHELL	ALUMINUM DIE CASTING	1	CHROMATE TREATMENT
26	130479	"O" RING HOLDER	ALUMINUM PLATE	1	CHROMATE TREATMENT
25		"O" RING	NBR	1	JIS B2401 P5
24	131025	STATIC PRESSURE TUBE	COPPER TUBE	1	
23	131162-5	NAME PLATE	POLYESTER	1	INA-13-127
22	13058P	LOCK NUT	STEEL	1	NICKEL PLATING CHROMATE TREATMENT
21	13057	ADJUST SPRING HOLDER	STEEL PLATE	1	Zn CHROMATE TREATMENT
20	130539	RELIEF VALVE	BRASS BAR	1	
19		HEXAGON NUT	STEEL	1	M4X1 CHROMATE TREATMENT
18		SCREW WITH SPRING WASHER	STEEL WIRE	6	M5X0.8X8 Ni PLATING CHROMATE TREATMENT
17		"O" RINGS	NBR	1	JIS B2401 P10
16	13055	DIAPHRAGM	NBR	1	
15	130558P	SET NUT	STEEL	1	Ni PLATING
14	AF11-4-2	BOWL ASS'Y		1	SPR. MATERIAL ALUMINUM DIE CASTING
13		HEXAGON NUT	BRASS BAR	1	M4X0.7
12		SPRING WASHER	STEEL WIRE	1	No.2-4 Zn CHROMATE TREATMENT
11	131034	VALVE GUIDE	ZINC DIE CASTING	1	Zn CHROMATE TREATMENT
10	1131270	DEFLECTOR	ABS RESIN	1	
9	113136	"O" RING	NBR	1	
8	13524	VALVE	BRASS BAR	1	RUBBER LANDING MATERIAL LINE
7	135212	STEM	STAINLESS STEEL	1	
6	113190	BAFFLE PLATE	ABS RESIN	1	
5	131035	ROD	BRASS BAR	1	
4	11104-208	FILTER ELEMENT	SINTERED BRONZE	1	RATED FILTRATION 20μm
3	131036	VALVE SPRING	STAINLESS STEEL	1	
2		RETAINING RING	STAINLESS STEEL	1	CSTW-3
1	131033P-02-04	BODY	ALUMINUM DIE CASTING	1	CHROMATE TREATMENT

**TITLE** FILTER REGULATOR  
**SMC CORPORATION**

DRAWN BY H. HOSOI		PLATINA SILVER PAINTING	
DATE 8.1.94	DESIGN BY T. Ishiguro	THIRD ANGLE P.	
DATE 8.5.94	CHECKED BY T. TAKAKI	SCALE 1/1	DWG. NO. (A) INA-13-127-02~04
DATE Aug. 2 1994	APPROD BY M. Takahashi	REV.	
DATE Nov. 3 1994			



1/1