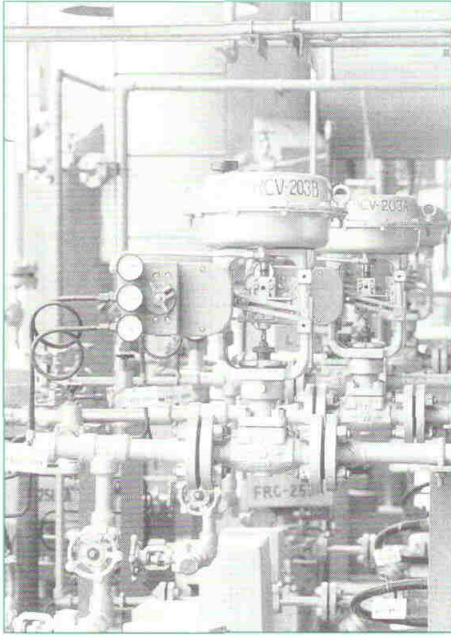


Quick Guide to Industrial Control Valves





Y

amatake Corporation introduced control valves to Japan in the 1930s. Over 60 years later, we are still the nation's CV leader. Our commitment to satisfying customer needs and to incorporating the latest technological enhancements will continue to keep us at the top.

By combining engineering ingenuity with a wealth of application experience, Yamatake Corporation ensures quality and durability with *every single valve* — from small to large bore, vacuum to ultrahigh pressure, low to high temperature, ultraclean to rocket service models.

Whether you have standard or customized CVs in mind, you can be sure that your Yamatake Corporation valves will form an integral part of a superior control solution — guaranteeing unsurpassed performance for your plant and competitive strength for your bottom line.

With the Asia-Pacific's largest valve manufacturing facility, Yamatake Corporation is in a unique position to provide an unmatched range of CVs for all applications, and to back them up with incomparable maintenance services.

When you order a control valve from Yamatake Corporation, you're not just buying optimal control. You're making an investment for the future.

Top guided
CV 3000 Alphaplus Series

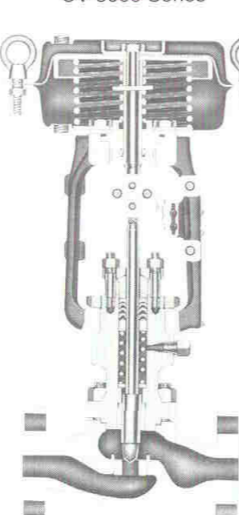


AGVB/AGVM
1/2~4 in.

JIS 10~30K, ANSI Class 150, 300
-45~+400°C
50 : 1
No.SS2-AGV200-0001

- High accuracy control with high rangeability
- For low-/medium-pressure applications in oil refineries, petrochemical and chemical plants, steel mills and electric/gas utilities
- Compact and lightweight

Small bore
CV 3000 Series

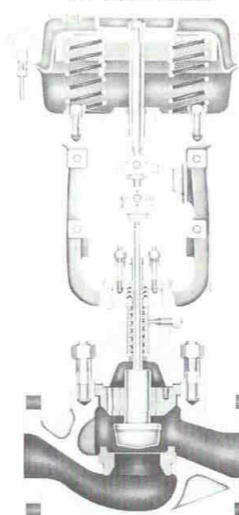


HLS/HLC
1/2~1 in.

JIS 10~40K, ANSI Class 125~600
-196~+566°C
50 : 1
No.SS2-HLS110-0100,HLC110-0100

- High accuracy control with high rangeability
- For low-/medium-pressure applications in oil refineries, petrochemical and chemical plants, steel mills and electric/gas utilities
- Compact and lightweight

Top guided
CV 3000 Series

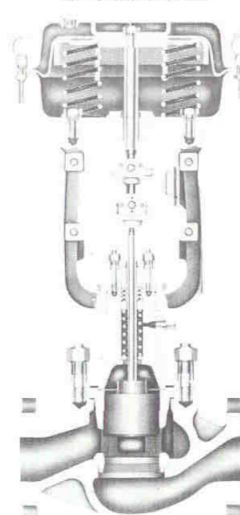


HTS/HSC
1 1/2~8 in.

JIS 10~40K, ANSI Class 125~600
-196~+566°C
50 : 1
No.SS2-HTS110-0100,HSC110-0100

- High accuracy control with high rangeability
- For low-/medium-pressure applications in oil refineries, petrochemical and chemical plants, steel mills and electric/gas utilities
- Compact and lightweight

Pressure unbalanced, Cage
CV 3000 Series




HCU
1 1/2~8 in.

JIS 10~40K, ANSI Class 125~600
-196~+566°C
50 : 1
No.SS2-HCU110-0100

- High accuracy control with high rangeability
- For low-/medium-pressure applications in oil refineries, petrochemical and chemical plants, steel mills and electric/gas utilities
- Compact and lightweight

Top guided, High pressure
CV 3000 Series



HPS
1~3 in.

JIS 63K, ANSI Class 900~2500
-5~+566°C
50 : 1
No.SS2-HPS210-0100

- High accuracy control with high rangeability
- For high-temperature, high-pressure applications in power supplies, generators boilers or turbines

- Model No. _____
- Size _____
- Pressure rating _____
- Operating temperature _____
- Rangeability _____
- Detailed data sheet _____
- Features _____

Top guided

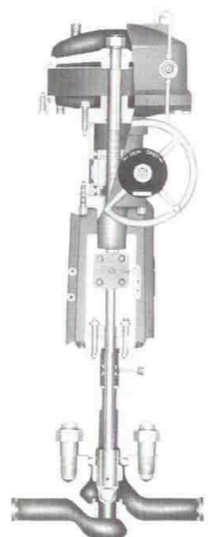


VST
5,10~12 in.

JIS 10~40K, ANSI Class 125~600
-196~+566°C
30 : 1
No.SS2-8110-0300

- Large aperture globe model
- For low-/medium-pressure applications in oil refineries, petrochemical and chemical plants, steel mills and electric/gas utilities

Top guided, High pressure

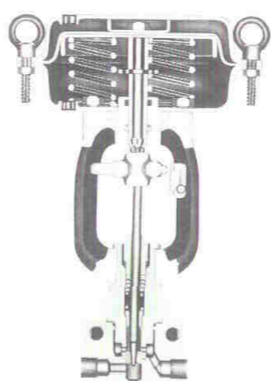


VST
4~6 in.

JIS 63K, ANSI Class 900~2500
0~+566°C
30 : 1
No.SS2-8110-0400

- Medium aperture, high temperature/pressure globe model
- For high-temperature, high-pressure applications in power supplies or stand-by power generators, boilers or turbines

Microflow



VSM
Rc1/4 (1/2~1 in. also available)

JIS 10~63K, ANSI Class 150~2500
-30~+400°C
20 : 1, 25 : 1, 30 : 1
No.SS2-8110-0500,0600

- High accuracy control with high rangeability
- For chemical and aromatic additives in experimental equipment and pilot plants

Corrosion-resistant, Microflow




VSP
10mm~20mm

JIS 5, 10K
0~50°C
25 : 1
No.SS2-8110-0520

- High accuracy control with high rangeability
- For transfer of corrosive fluids in water supply/sewage systems, chemical injection equipment and chemical plants
- Compact and lightweight

- Model No. _____
- Size _____
- Pressure rating _____
- Operating temperature _____
- Rangeability _____
- Detailed data sheet _____
- Features _____


Pressure balanced, Cage
CV 3000 Alphaplus Series



ACP
1½~8 in.
JIS 10~40K, ANSI Class 150~600
-196~+230°C
50 : 1
No.SS2-ACP100-0100

- High accuracy control with high rangeability
- For low-/medium-pressure applications in oil refineries, petrochemical and chemical plants, steel mills and electric/gas utilities
- Compact and lightweight

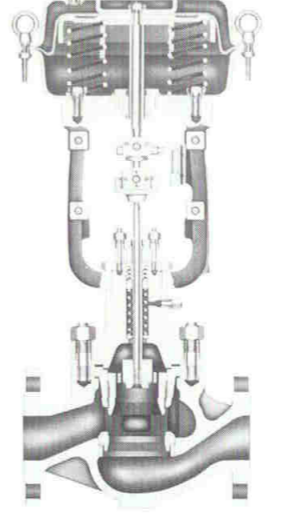
Top and bottom guided, Double seated
CV 3000 Alphaplus Series



ADVB/ADVM
6~12 in.
JIS 10~30K, ANSI Class 150, 300
-45~+400°C
50 : 1
No.SS2-ADV100-0001

- High accuracy control with high rangeability
- For low-/medium-pressure applications in oil refineries, petrochemical and chemical plants, steel mills and electric/gas utilities
- Compact and lightweight

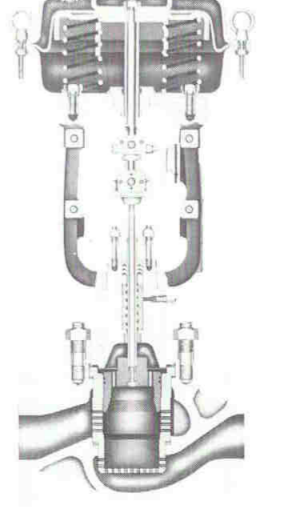
Pressure balanced, Cage
CV 3000 Series



HCB
1½~8 in.
JIS 10~40K, ANSI Class 125~600
-196~+566°C
50 : 1
No.SS2-HCB110-0100

- High accuracy control with high rangeability
- For low-/medium-pressure applications in oil refineries, petrochemical and chemical plants, steel mills and electric/gas utilities
- Compact and lightweight


Low-noise, Cage
CV 3000 Series



HCN
1½~8 in.
JIS 10~40K, ANSI Class 150~600
-5~+566°C
25 : 1
No.SS2-HCN110-0100

- For low-noise transfer of steam, air, gas and compressed fluids
- Compact and lightweight

Pressure balanced, High pressure, Cage
CV 3000 Series




HPC
1½~8 in.
JIS 63K, ANSI Class 900~2500
-5~+566°C
50 : 1
No.SS2-HPC210-0100

- High accuracy control with high rangeability
- For high-temperature, high-pressure applications in power supplies, generators, boilers or turbines

Model No. _____
 Size _____
 Pressure rating _____
 Operating temperature _____
 Rangeability _____
 Detailed data sheet _____
 Features _____


Pressure balanced, High pressure, Cage



VDC
5,10~12 in.
JIS 63K, ANSI Class 900~2500
0~566°C
30 : 1
No.SS2-8110-1200

- Large high temperature/pressure globe model
- For high-temperature, high-pressure applications in power supplies, generators, boilers or turbines

Pressure balanced, Cage



VDC
5,10~24 in.
JIS 10~40K, ANSI Class 125~600
-196~+566°C
30 : 1
No.SS2-8110-1100

- Large globe model
- For low-/medium-pressure applications in oil refineries, petrochemical and chemical plants, steel mills and electric/gas utilities


Low-noise, Cage



VDN
10~12 in.
JIS 10~40K, ANSI Class 150~600
-196~+566°C
25 : 1
No.SS2-8110-1300

- Large globe model
- For low-noise transfer of steam, air, gas and compressed fluids


High pressure, Low-noise, Cage



VDN
1½~12 in.
JIS 63K, ANSI Class 900~2500
0~566°C
30 : 1
No.SS2-8110-1400

- For low-noise transfer of steam, air, gas and compressed fluids

Top and bottom guided, Double seated

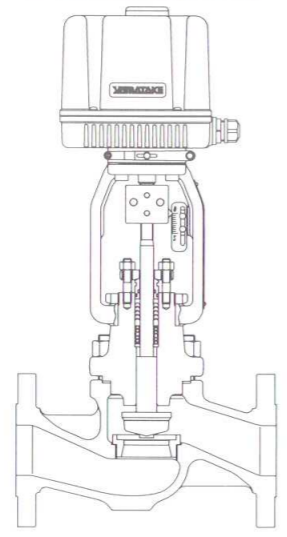


VDP
1~12 in.
JIS 10~40K, ANSI Class 150~600
-196~+566°C
30 : 1~50 : 1
No.SS2-8110-1800

- For hydrocarbon lines in oil refineries

Model No. _____
 Size _____
 Pressure rating _____
 Operating temperature _____
 Rangeability _____
 Detailed data sheet _____
 Features _____

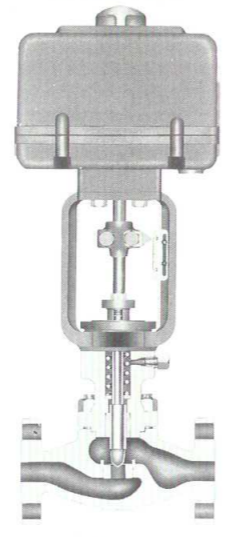
Top guided
CV 3000 Alphaplus Series



AGVB/AGVM
1/2~4 in.
JIS 10~20K, ANSI Class 150~300
-45~+400°C
50 : 1
No.SS2-AGV200-0300

- High accuracy control with high rangeability
- For low-/medium-pressure lines in the chemical, steel, pulp/paper and food industries

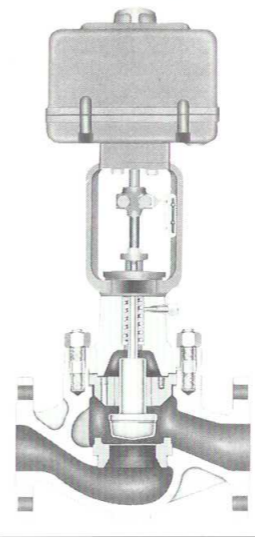
Small aperture
CV 3000 Series



HLS
1/2~1 in.
JIS 10~40K, ANSI Class 125~600
-196~+566°C
50 : 1
No.SS2-HLS120-0100

- High accuracy control with high rangeability
- For low-/medium-pressure lines in the chemical, steel, pulp/paper and food industries

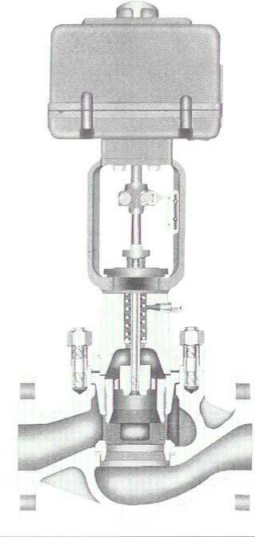
Top guided
CV 3000 Series



HTS
1 1/2~4 in.
JIS 10~40K, ANSI Class 125~600
-196~+566°C
50 : 1
No.SS2-HTS120-0100

- High accuracy control with high rangeability
- For low-/medium-pressure lines in the chemical, steel, pulp/paper and food industries

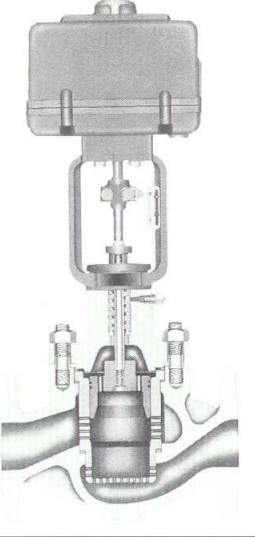
Pressure balanced, Cage
CV 3000 Series



HCB
1 1/2~4 in.
JIS 10~40K, ANSI Class 125~600
-196~+566°C
50 : 1
No.SS2-HCB120-0100

- High accuracy control with high rangeability
- For low-/medium-pressure lines in the chemical, steel, pulp/paper and food industries

Low-noise, Cage
CV 3000 Series




HCN
1 1/2~4 in.
JIS 10~40K, ANSI Class 125~600
-5~+566°C
25 : 1
—

- For low-noise transfer of steam, air, gas and compressed fluids

- Model No. _____
- Size _____
- Pressure rating _____
- Operating temperature _____
- Rangeability _____
- Detailed data sheet _____
- Features _____

NEW10-III



ACT
15mm~80mm
JIS 10K
0~200°C
50 : 1
No.SS2-ACT100-0100

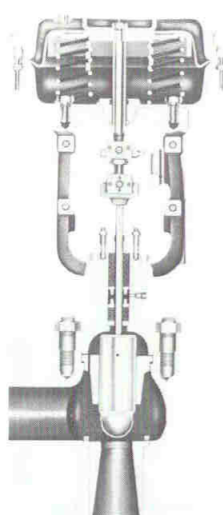
- For 10kgf/cm² (981kPa) service in the chemical, food, textile and machinery industries

- Model No. _____
- Size _____
- Pressure rating _____
- Operating temperature _____
- Rangeability _____
- Detailed data sheet _____
- Features _____



Steel mills are among the largest users of these accurate, rugged valves.

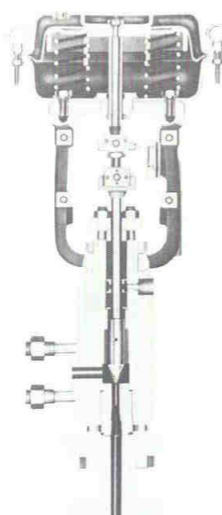
Venturi, Angle



HAV
1~6 in.
JIS 10~40K, ANSI Class 150~600
-196~+566°C
30 : 1
No.SS2-8110-2600

- For slurries, viscous and flashing mediums in the petrochemical, chemical and steel industries
- Compact and lightweight

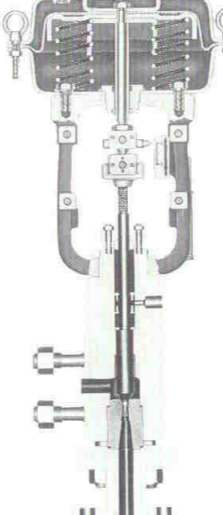
High pressure, Angle



HAH
¾~1½ in.
ANSI Class 2500
-196~+566°C
30 : 1
No.SS2-HAH100-0100

- Small high temperature/pressure
- For high-temperature/pressure service in petrochemical and other applications
- Compact and lightweight


Labyrinth trim, Angle



HAL
¾~1½ in.
ANSI Class 900~2500
0~+425°C
30 : 1
No.SS2-8113-2620

- Small, high temperature/pressure
- For high-temperature/pressure service in applications where cavitation might occur
- Compact and lightweight

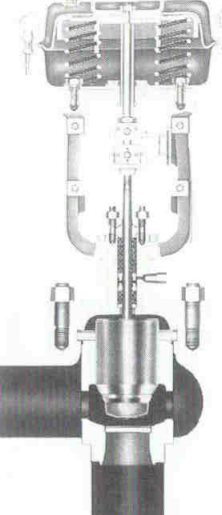
High Pressure, Cage, Angle



HAG
1½~6 in.
ANSI Class 2500
-196~+566°C
30 : 1
Details available on request

- For high-pressure applications in fertilizer and other plants

Ceramic trim, Angle

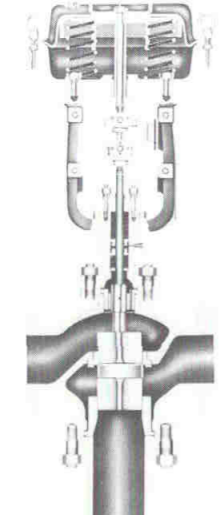


HAF
1~4 in.
JIS 10~40K, ANSI Class 150~600
0~425°C
30 : 1
No.SS2-8113-2610

- For applications in the chemical, petrochemical, pulp/paper and steel industries

- Model No. _____
- Size _____
- Pressure rating _____
- Operating temperature _____
- Rangeability _____
- Detailed data sheet _____
- Features _____

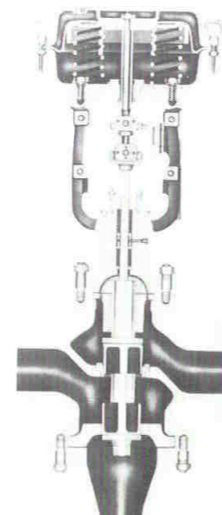
3-way, Mixing



AMT
1~6 in.
JIS 10~30K, ANSI Class 150~300
-5~+425°C
30 : 1
No.SS2-AMT100-0100

- For mixing of two fluid lines in oil refineries, petrochemical, chemical, steel and other industries
- Compact and lightweight

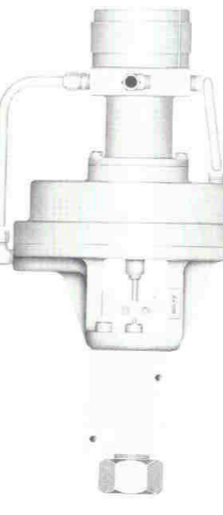
3-way, Diverting



HDT
3~6 in.
JIS 10~30K, ANSI Class 150~300
-5~+425°C
30 : 1
No.SS2-HDT100-0100

- For diverting lines in oil refineries, petrochemical, chemical, steel and other industries
- Compact and lightweight

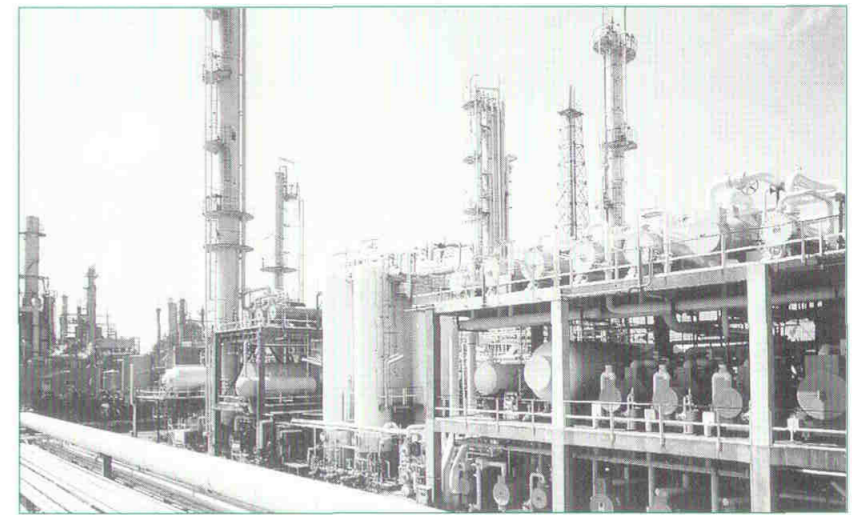
Ultra high pressure, Angle



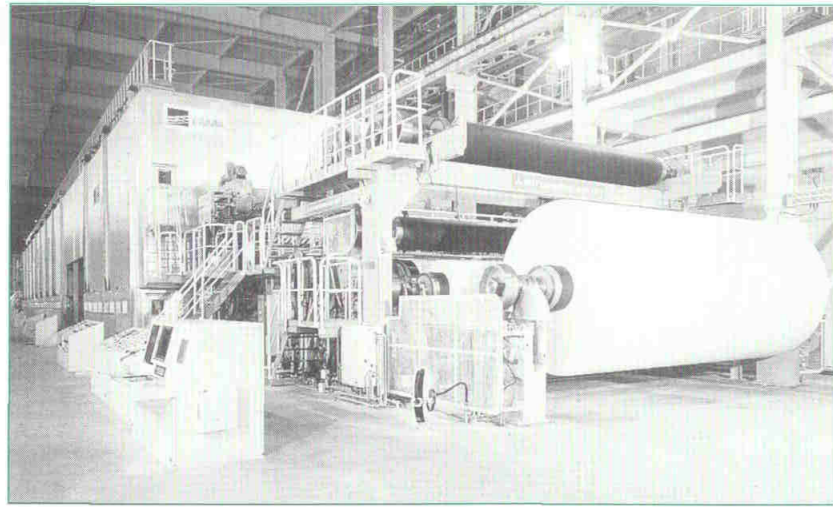
VAU
To be specified
3500kgf/cm ² (343MPa)
0~100°C
—
No.SS2-8110-2800

- For ultrahigh-pressure control in polyethylene and other plants

- Model No. _____
- Size _____
- Pressure rating _____
- Operating temperature _____
- Rangeability _____
- Detailed data sheet _____
- Features _____



Chemical manufactures like the one above rely on Yamatake's proven lineup of industry-specific valves.



Pulp and paper plants have chosen Yamatake's valves for years.

for large volumes and low pressures

- Model No. _____
- Size _____
- Pressure rating _____
- Operating temperature _____
- Rangeability _____
- Detailed data sheet _____
- Features _____

Light duty, Butterfly

VBL
80mm~1000mm
JIS 2~10K, ANSI Class 125~150
-5~+150°C
20 : 1
No.SS2-8110-3100

•For low-pressure, large-volume service in oil refineries, chemical, petrochemical, steel, gas utilities and other industries

Medium duty, Butterfly

VBM
100mm~550mm
JIS 10K, ANSI Class 150
-5~+200°C
20 : 1
No.SS2-8110-3100

•For low-pressure, large-volume service in oil refineries, chemical, petrochemical, steel, gas utilities and other industries

Heavy duty, Butterfly

VBH
100mm~550mm
JIS 10K, ANSI Class 150
-5~+200°C
20 : 1
No.SS2-8110-3110

•For low-pressure, large-volume service in oil refineries, chemical, petrochemical, steel, gas utilities and other industries

Bubble tight, Butterfly

VBS
80mm~600mm
JIS 5~10K, ANSI Class 150
-5~+150°C
20 : 1
No.SS2-8110-3300

•For low-pressure, large-volume service in oil refineries, chemical, petrochemical, steel, gas utilities and other industries where tight sealing is required

Eccentric rotary

VFR
1~12 in.
JIS 10~20K, ANSI Class 150~300 JIS 30~40K, ANSI Class 600
-60~+350°C
100 : 1
No.SS2-8130-0100

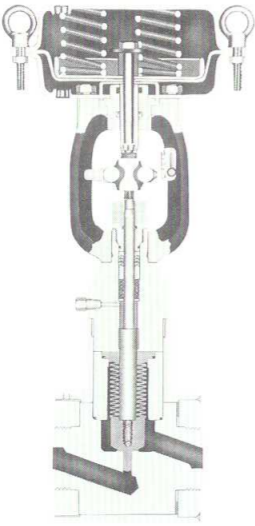
•For gummy/dirty liquids requiring low/medium pressures, large capacities and high rangeability in oil refineries, petrochemical, chemical, pulp/paper, steel and construction industries

- Model No. _____
- Size _____
- Pressure rating _____
- Operating temperature _____
- Rangeability _____
- Detailed data sheet _____
- Features _____

Parentheses contain valve sizes 1~2 in.

Ideal for soft slurries

Teflon single seated



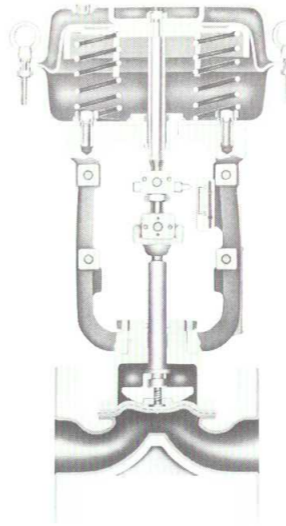
HIT	
Size	¼~2 in.
Pressure rating	JIS 10K, ANSI Class 150
Operating temperature	0~140°C
Rangeability	30 : 1(linear), 20 : 1(equal percentage)
Detailed data sheet	No.SS2-8193-0200
Features	<ul style="list-style-type: none"> •For corrosive acid or alkali lines in chemical, steel and other industries •Compact, high accuracy control *Teflon bellows seal model also available

Ceramic



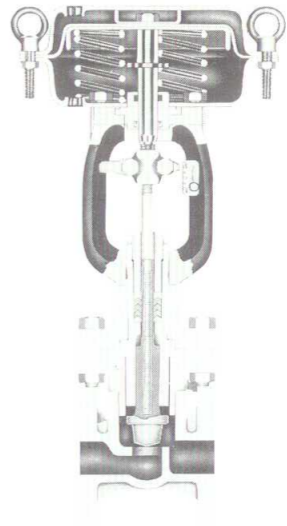
HIC	
Size	1~3 in.
Pressure rating	JIS 10~20K, ANSI Class 150~300
Operating temperature	0~200°C
Rangeability	30 : 1
Detailed data sheet	No.SS2-8190-0300
Features	<ul style="list-style-type: none"> •For hard slurries in desulfurization, water discharge and alumina refining, and pulp slurries

Weir diaphragm



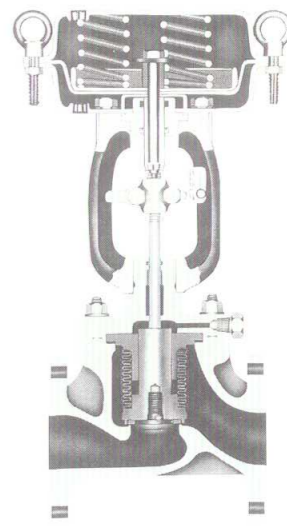
VDD	
Size	½~4 in.
Pressure rating	JIS 10K, ANSI 150
Operating temperature	-5~+150°C
Rangeability	20 : 1
Detailed data sheet	No.SS2-8110-0530
Features	<ul style="list-style-type: none"> •For corrosive fluids or slurries in chemical, fermentation, paper and steel processing •Compact and lightweight

Teflon single seated



VNP	
Size	¾~1½ in.
Pressure rating	JIS 10K, ANSI Class 150
Operating temperature	0~200°C
Rangeability	30 : 1
Detailed data sheet	No.SS2-8190-0200
Features	<ul style="list-style-type: none"> •For corrosive acid or alkali lines in chemical, steel and other industries •Compact, high accuracy control *Teflon bellows seal model also available

Biobatch

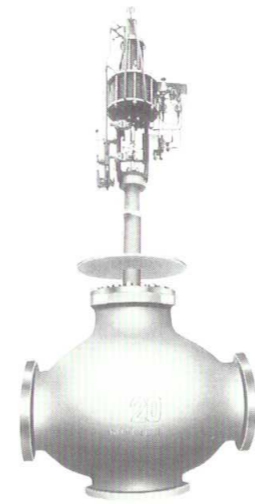


VSB	
Size	20mm~100mm
Pressure rating	JIS 10K
Operating temperature	0~200°C
Rangeability	—
Detailed data sheet	No.SS2-8193-0300
Features	<ul style="list-style-type: none"> •For chemical, fermentation processes and other applications

- Model No. —————→
- Size —————→
- Pressure rating —————→
- Operating temperature —————→
- Rangeability —————→
- Detailed data sheet —————→
- Features —————→

Proven performance for any requirement

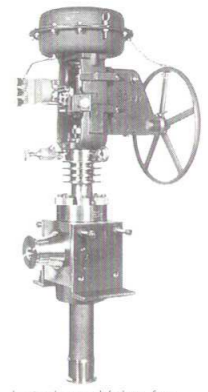
Specialized applications are also covered by an extensive selection of customized valves.



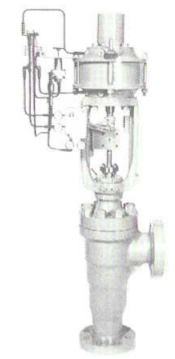
Cage Valve for LNG(20 in.)



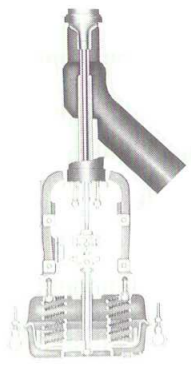
Superlow-temperature Valve for Liquid Hydrogen



Let-down Valve for Coal Liquefaction



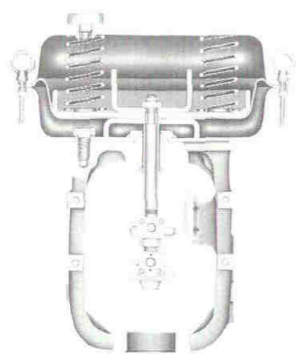
Minimum Flow Valve for Pumps



Bottom Plug Valve

- Model No. _____
- Action _____
- Stroke _____
- Manual operator _____
- Air supply _____
- Detailed data sheet _____
- Features _____

Multispring diaphragm motor



HA1~HA4

Direct and reverse action

25~75mm

Side mounted handwheel, top mounted handwheel

140~390kPa {1.4~4.0kgf/cm²}

No.SS2-8213-0500

- Single action
- Compact, lightweight

Spring diaphragm motor



VA5

Direct and reverse action

100mm

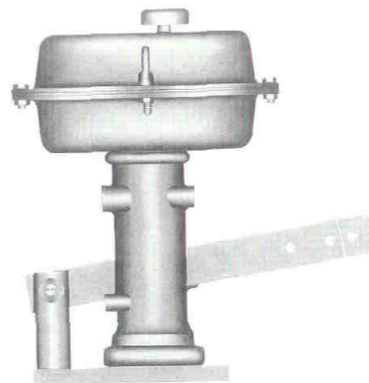
Side mounted handwheel, top mounted handwheel

140~270kPa {1.4~2.8kgf/cm²}

No.SS2-8210-0100

- Single action

Multispring lever diaphragm motor



HL2~HL4

Direct and reverse action

—

140~390kPa {1.4~4.0kgf/cm²}

No.SS2-8213-0510

- Single action
- Compact, lightweight

Spring piston cylinder



PSA6R

Reverse action

20~100mm

Side mounted handwheel

200~500kPa {2.6~5kgf/cm²}

No.SS2-PSA100-0100

- Single action
- Compact, high output

Springless piston cylinder



VP5~VP7

Direct and reverse action

50~100mm

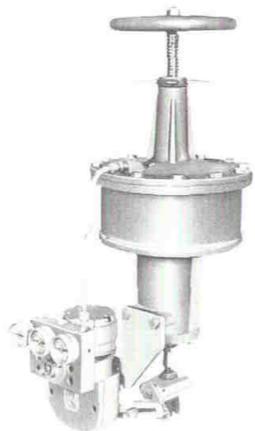
Side mounted handwheel

200~690kPa {2~7kgf/cm²}

No.SS2-8210-0300

- Double action
- Compact, high output

Spring piston cylinder



GOM83S~GOM124S

Direct action

75~100mm

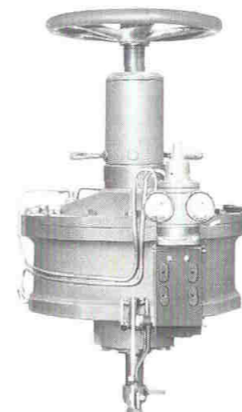
With manual handwheel

140kPa {1.4kgf/cm²}

No.SS2-8210-0200

- Single action
- Compact, long stroke

Springless piston cylinder



GOM64LM~154LM

Direct and reverse action

50, 100mm

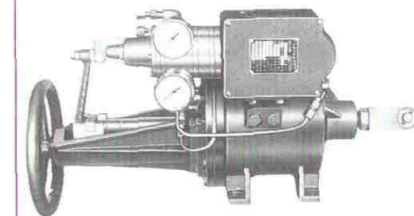
With or without handwheel

200kPa {2.0kgf/cm²}

No.SS2-8210-0200

- Double action
- Compact, long stroke

Springless piston cylinder



GOM44L~GOM151OL

Direct and reverse action

100~250mm

With or without handwheel

200kPa {2.0kgf/cm²}

No.SS2-8210-0200

- Double action
- Compact, long stroke

	Smart positioner	Smart positioner remote type	Electro pneumatic positioner
Model No.	AVP300/301	AVP200/201	HEP15/25
Input signal	4~20mADC, split range setting available	4~20mADC, split range setting available	4~20, 10~50mADC, Half range
Stroke range	10~100mm(Linear), ~90° (Rotary)	10~100mm(Linear), ~90° (Rotary)	12~100mm
Air supply pressure	140~700kPa {1.3~7.0kgf/cm ² }	140~700kPa {1.3~7.0kgf/cm ² }	200~690kPa {2~7kgf/cm ² }
Ambient temperature	-40~+80°C	-40~+80°C	-30~+80°C
Detailed data sheet	No.SS2-AVP300-0100	No.SS2-AVP200-0100	No.SS2-HEP150-0100/HEP250-0100
Features	<ul style="list-style-type: none"> •Single action/Double action •Compact, high performance, multi-functional •Valve position transmitter function •Easy zero/span adjustments, wide applicability 	<ul style="list-style-type: none"> •Single action/Double action •Anti-Vibration capabilities •Valve position transmitter function •Easy zero/span adjustments, wide applicability 	<ul style="list-style-type: none"> •Single action/Double action •High performance •Multipurpose

	Pneumatic positioner	Double action, pneumatic positioner	Double action, pneumatic positioner
Model No.	VPP08	VPP02/03	GOP
Input signal	20~98, 20~60, 60~98kPa {0.2~1.0, 0.2~0.6, 0.6~1.0kgf/cm ² }	20~98, 20~60, 60~98kPa {0.2~1.0, 0.2~0.6, 0.6~1.0kgf/cm ² }	20~98, 20~60, 60~98kPa {0.2~1.0, 0.2~0.6, 0.6~1.0kgf/cm ² }
Stroke range	14~100mm	14~100mm	19~50mm
Air supply pressure	350~690kPa {3.6~7.0kgf/cm ² }	200~690kPa {2.0~7.0kgf/cm ² }	200kPa {2.0kgf/cm ² }
Ambient temperature	-30~+80°C	-30~+80°C	0~+70°C
Detailed data sheet	No.SS2-8310-0600	No.SS2-8310-0300	No.SS2-8210-0200
Features	<ul style="list-style-type: none"> •Single action •For use with high-pressure actuators 	<ul style="list-style-type: none"> •For use with high-pressure actuators 	<ul style="list-style-type: none"> •For G-O-Motors

	Pneumatic positioner	Pneumatic positioner	Pneumatic positioner
Model No.	HTP	VPE	VPR
Input signal	20~98, 20~60, 60~98kPa {0.2~1.0, 0.2~0.6, 0.6~1.0kgf/cm ² }	20~98, 20~60, 60~98kPa {0.2~1.0, 0.2~0.6, 0.6~1.0kgf/cm ² }	20~98, 20~60, 60~98kPa {0.2~1.0, 0.2~0.6, 0.6~1.0kgf/cm ² }
Stroke range	6~100mm	6~25mm	60°
Air supply pressure	140~390kPa {1.4~4.0kgf/cm ² }	140~390kPa {1.4~4.0kgf/cm ² }	340~490kPa {3.5~5.0kgf/cm ² }
Ambient temperature	-25~+60°C	-20~+70°C	-20~+70°C
Detailed data sheet	No.SS2-8310-0200	No.SS2-8310-0400	No.SS2-8310-0500
Features	<ul style="list-style-type: none"> •Single action •Multipurpose 	<ul style="list-style-type: none"> •Single action •Multipurpose for small actuators 	<ul style="list-style-type: none"> •Single action •For small actuators on FloWing valves

	Air pressure regulator with filter	Volume booster	Pneumatic motion transmitter
Model No.	KZ03-2/-3	VF01	HTM
Air supply	Primary: Max.970kPa {9.9kgf/cm ² } Secondary: 12~390kPa {0.12~4.0kgf/cm ² } (KZ03-3) 12~690kPa {0.12~7.0kgf/cm ² } (KZ03-3)	Air supply	140~690kPa {1.4~7.0kgf/cm ² } 140~270kPa {0.2~2.8kgf/cm ² }
Output	1:1	Output	140kPa {1.4kgf/cm ² }
Ambient temperature	-30~+80°C	Ambient temperature	20~98kPa {0.2~1.0kgf/cm ² }
Detailed data sheet	No.SS2-5190-0700	Detailed data sheet	12~100mm
Features	<ul style="list-style-type: none"> •Supplies clean, dry air under constant pressure 	<ul style="list-style-type: none"> •High-capacity, pneumatic relay decreases time lags and increases operating speed of pneumatic actuators 	<ul style="list-style-type: none"> •Converts valve full-stroke into pneumatic signal

	Limit switch	Solenoid valve	
Model No.	VCX5000/VCL5000	Skinner E1335 Series	
Structure	<ul style="list-style-type: none"> •Waterproof, 2-point detection •Explosion-proof, 2-point detection(d2G4) 	<ul style="list-style-type: none"> •Pressure-resistant, explosion-proof(d2G4) •Dust-tight, special explosion-proof(SDP) 	
Electrical rating	5A-250VAC, 0.4A-125VDC, 0.2A-250VDC	Electrical rating	100VAC50Hz-60Hz
Ambient temperature	-10~+70°C	Ambient temperature	-10~+60°C(H mold coil)
Detailed data sheet	No.SS2-CVG900-0200	Fluid temperature	+85°C
Features	<ul style="list-style-type: none"> •Confirms whether valve is fully open or fully closed •Many other types are available. 	Detailed data sheet	No.SS2-CVG100-0300
		Features	<ul style="list-style-type: none"> •For on/off switching or as emergency shut-off unit •Many other types are available.

	Air lock relay	Pneumatic relay(with manual reset)	Pneumatic relay
Model No.	VF02	VF03	VF04
Supply pressure	MAX.690kPa {7kgf/cm ² }	490kPa {5kgf/cm ² } or less	490kPa {5kgf/cm ² } or less
Air supply pressure	20~200kPa {0.2~2.0kgf/cm ² }	20~98kPa {0.2~1.0kgf/cm ² } [MAX.250kPa {2.6kgf/cm ² }]	20~98kPa {0.2~1.0kgf/cm ² } [MAX.250kPa {2.6kgf/cm ² }]
Switching pressure range	120~290kPa {1.2~3.0kgf/cm ² }	40~80kPa {0.4~0.8kgf/cm ² }	40~80kPa {0.4~0.8kgf/cm ² }
Ambient temperature	-30~+80°C	-30~+80°C	-30~+80°C
Detailed data sheet	No.SS2-8310-0800	No.SS2-8310-0800	No.SS2-8310-0800
Features	<ul style="list-style-type: none"> •In case of air pressure failures, relay maintains at the pre-failure level the air pressure to the actuator 	<ul style="list-style-type: none"> •Combines compact 3-way on/off valve and diaphragm motor with reset mechanism •For specialized on/off switching with both automatic and manual operations 	<ul style="list-style-type: none"> •Combines 3-way on/off valve used to switch signal air lines based on balance between supply pressure on upper diaphragm and force of preset spring



Yamatake Corporation

Totate International Building
2-12-19 Shibuya
Shibuya-ku, Tokyo 150-8316
Japan
Tel : 81-3-3486-2310
Fax : 81-3-3486-2593

YAMATAKE
Savemation
Saving through Automation