

Silencer

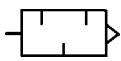
AN□00/AN□02/AN□03/25/AN

Standard

Series AN□00

Over 30dB(A) noise reduction
Low back pressure
Compact and easy mounting

JIS symbol



Specifications

Fluid	Compressed air
Max.operating pressure	1.0MPa
Noise reduction	30dB(A) or more
Ambient and fluid temperature	5 to 60°C*

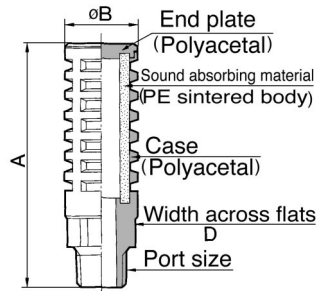
* It can operate in temperatures between -10 to 60°C if there is no risk of the moisture in the air freezing.

Model

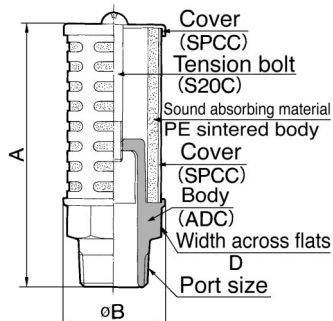
Model	Port size R(PT)	Effective area (mm ²)	Weight (g)	Dimensions (mm)		
				A	B	D
AN200-02	1/4	35	17	63	22	19
AN300-03	3/8	60	25	84	25	22
AN400-04	1/2	90	35	92	30	27
AN500-06	3/4	160	165	107	46	36
AN600-10	1	270	225	132	50	41
AN700-12	1 1/4	440	490	200	74	55
AN800-14	1 1/2	590	580	233	74	60
AN900-20	2	960	820	263	86	70

Note) NPT thread is also available. Specify "N" after "AN□00-".
(Ex.: AN200-N02)

Construction/Parts/Dimensions AN200 to 400



AN500 to 900

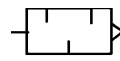


High noise reduction style

Series AN□02

Over 35dB(A) noise reduction
Case is UL94-V0 Grade
Flame resistance material

JIS symbol



Specifications

Fluid	Compressed air
Max.operating pressure	1.0MPa
Noise reduction	35dB(A) or more
Ambient and fluid temperature	5 to 60°C*

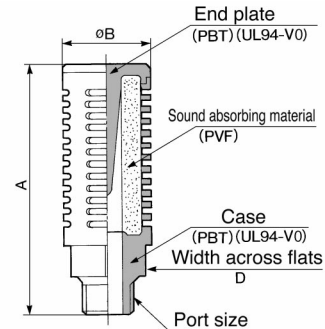
* It can operate in temperatures between -10 to 60°C if there is no risk of the moisture in the air freezing.

Model

Model	Port size R(PT)	Effective area (mm ²)	Weight (g)	Dimensions (mm)		
				A	B	D
AN202-02	1/4	35	16	64	22	19
AN302-03	3/8	60	33	84	28	24
AN402-04	1/2	90	47	95	34	24

Note) NPT thread is also available. Specify "N" after "AN□02-".
(Ex.: AN200-N02)

Construction/Parts/Dimensions AN202



AN302/402

