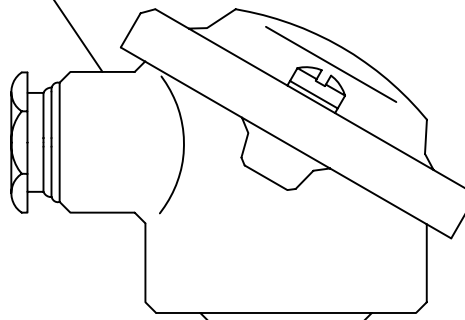


ALUMINIUM CONNECTION HEAD

TYPE DIN B-IP 65-WITH
CERAMIC TERMINAL BLOCK



TUBE O.D.15mm-SS 316 MATERIAL


COMPRESSION FITTING 1/2"GAS
SS 316 MATERIAL

1/2"GAS

O.D.15mm

RTD Pt100ohm SINGLE ELEMENT
CLASS "B"

150

				TOLLERANZE GENERALI	
				LUNGHEZZE	ANGOLI
				± 1/2 14 UNI 6387	
				SCALA	SCALE
				DATA	08-04-2004
				DISEGNATO DRAWN	
MOD.-REV.	DESCRIZIONE - DESCRIPTION			DATA DATE	FIRMA SIGNATURE
POS. PART.N.	N. PEZZI Q.TY	MATERIALE MATERIAL	COMMESSA N. JOB N.	TITOLO - TITLE	
				RTD-Pt100ohm-SINGLE ELEMENT-CLASS"B" LENGHT=150mm	
				CLIENTE CUSTOMER	CRA