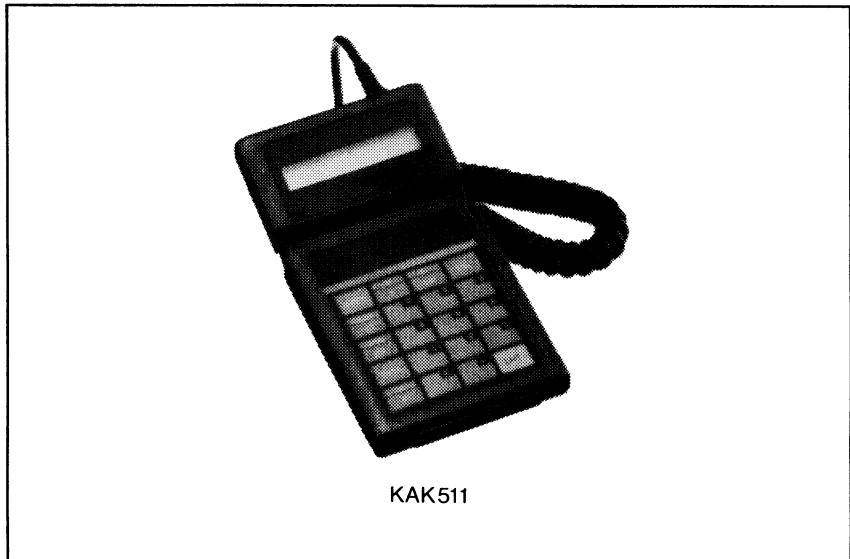


TDC 3000 SSC II Handy Communicator Model KAK 511

Introduction

The TDC 3000 Single Strategy Controller II (SSC II) Handy Communicator is a "smart" device which communicates with Programmable Controllers, Fixed Program Controllers and Programmable Arithmetic Relays.

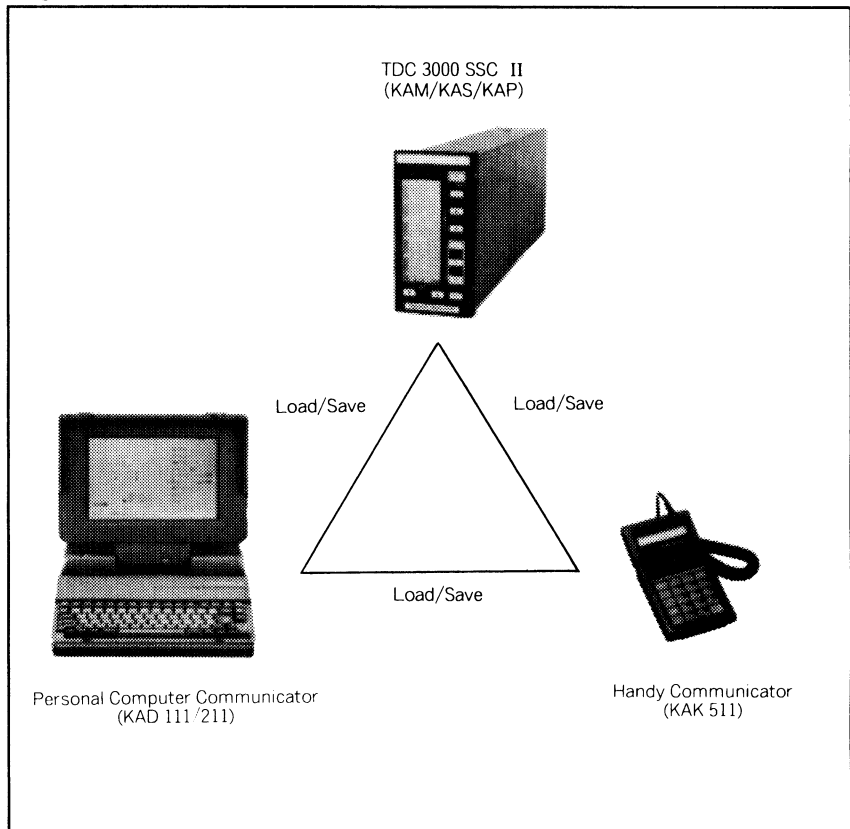
The KAK 511 can load and save data, thus simplifying programming and allowing any operator—even one without prior programming knowledge—to manipulate data.



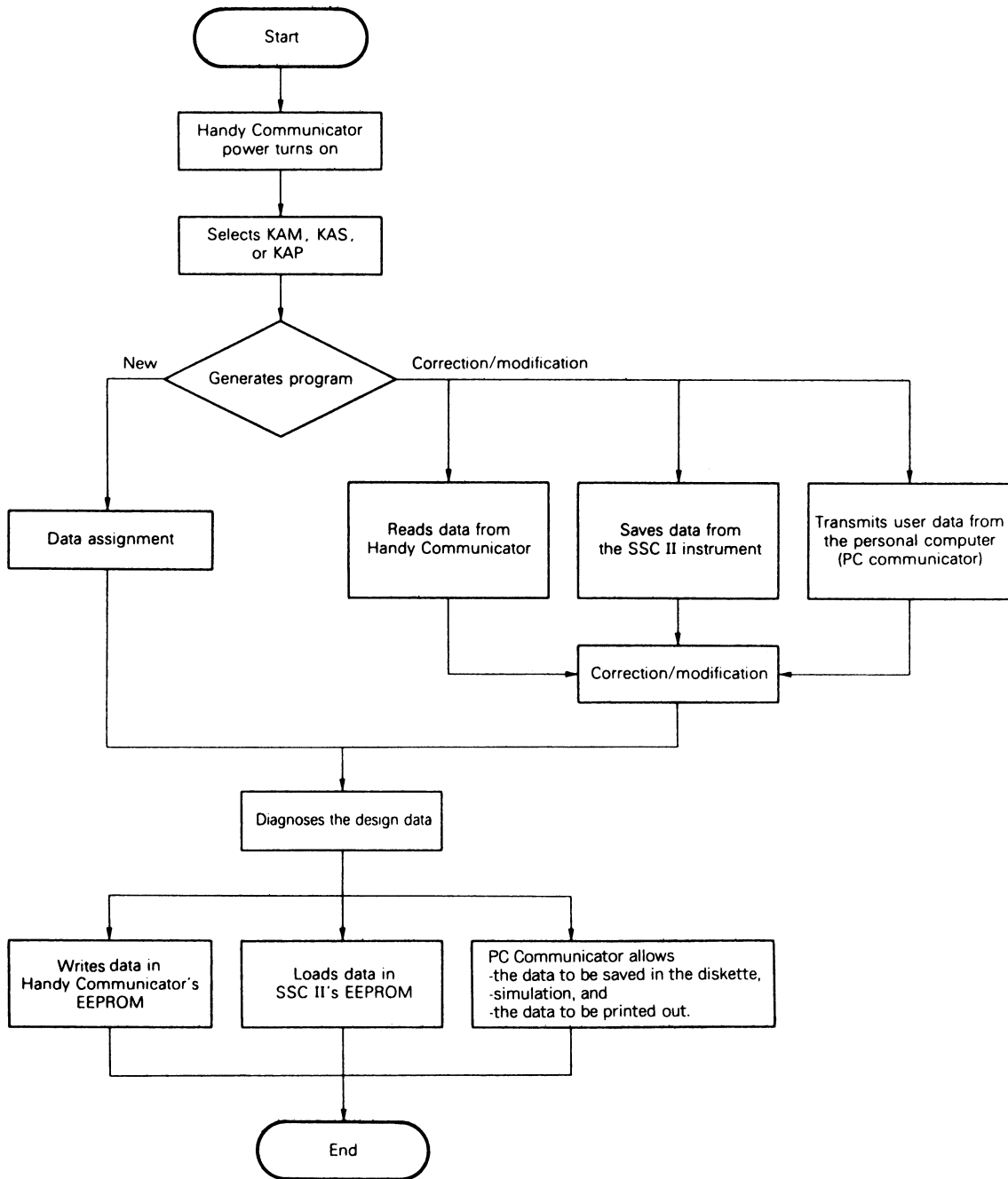
Features

- It's handy—simply clip it on and go!
- Can switch to loader/run mode of SSC II
- Increases availability through on-line data saving.
- Enables data diagnostics to be designed in the field.
- Designed data self-diagnosis.
- Can support up to four SSC II's. (no batteries required)

Engineering configuration diagram



Data generation procedure



Standard specifications

Item	Description
Model No.	KAK 511
Indicator	LCD display (16 digits, 2 lines)
Pad	20 flat keys
Input/output signal	RS-232C data transmission speed: 9600BPS Distance: 10m or less Signal level data "0" : +3V or more Signal level data "1" : -3V or less
Data transmission time	Saving: Approx. 45sec. (Handy Communicator ← SSC II) Loading: Approx. 90sec. (Handy Communicator → SSC II)
Power supply	5V dc. 100mA dc
Weight	250g
Accessories	Mounting case, 5-pin cable (approx. 580mm)
Options	Dedicated adaptor, 100V ac/5V dc power supply

Model number table

Basic Model No.	Options		Description
	I	II	
KAK511			Handy Communicator for IBM PC (See Note 1 and 2)
	- 0		Without SSC II Adaptor
	- 1		With SSC II Adapter (See Note 3)
		- 0	Without 100V ac/5V dc Adaptor
		- 1	With 100V ac/5V dc Adaptor(See Note 3)

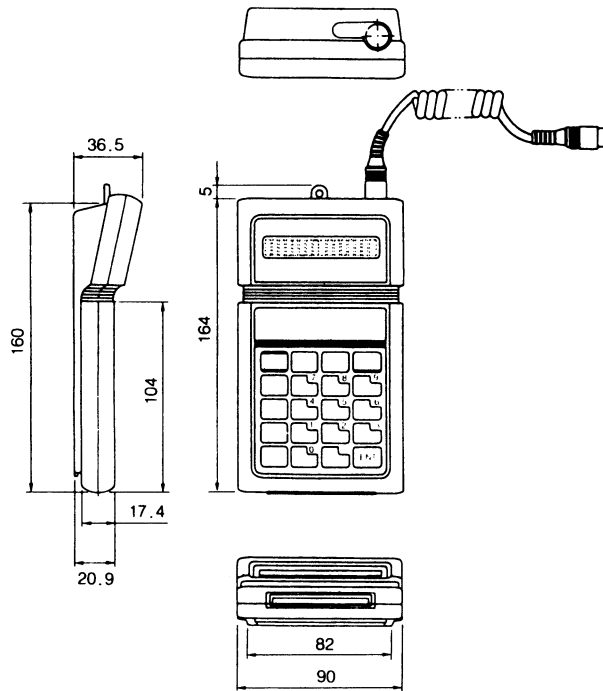
Note 1) Non-SI units (kgf/cm², etc.) and SI units (Pa: Pascal) are selectable in the pressure compensation for KAM 111/211 and KAP111.

2) Provides the dedicated connection cable between the SSC II and Handy Communicator.

3) Required for dedicated use of the Handy Communicator, or linking with IBM personal computer.

Dimensions

(Unit: mm)



Specifications are subject to change without notice.

Yamatake Corporation

Totate International Building
2-12-19 Shibuya
Shibuya-ku Tokyo 150-8316
Tel : 81-3-3486-2216
Fax : 81-3-3486-2503

Yamatake-SIC Control Systems Co., Ltd.
Shanghai Yamatake Jinshan Control Instruments Co., Ltd.
Yamatake (Thailand) Co., Ltd.
Yamatake Philippines, Inc.
PT. Yamatake Berca Indonesia
Yamatake Controls Singapore Pte. Ltd.
YCV Corporation

: China 86-10-6326-9844/55
: China 86-21-5793-5334
: Thailand 66-2-210-0900-7
: Philippines 63-2-817-6452
: Indonesia 62-21-230-5537/5539
: Singapore 65-778-5966
: U.S.A. 1-602-548-1800

YAMATAKE

Savemation

Saving through Automation

Yamatake Industrial Systems Co.,Ltd.

This has been printed on recycled paper.

<http://www.yamatake.co.jp/>
9903-Y/Y