

SystempaK (Analog/Single Case)

Monitor Switch Module

Model J-SSP 50

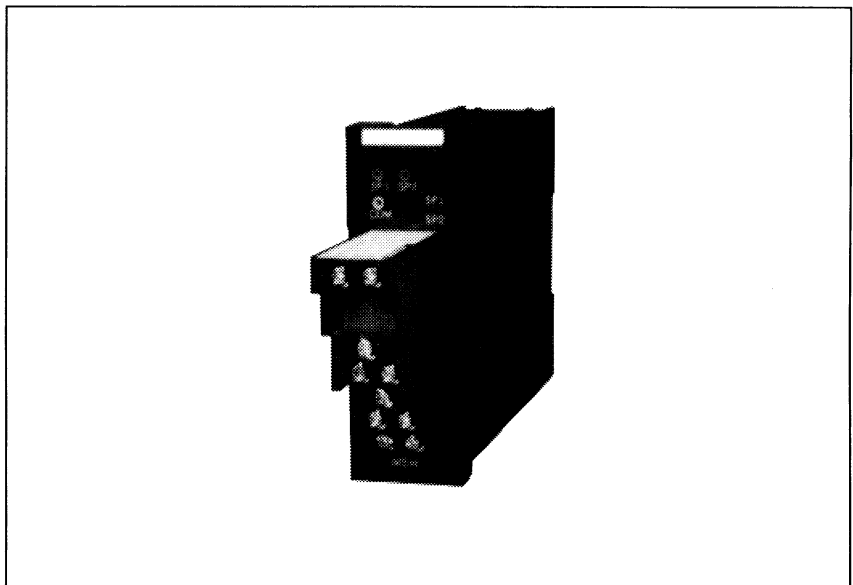
Introduction

The Monitor Switch Module (J-SSP 50) is a signal conversion module housed in a single case and issues an alarm contact output when an input signal exceeds the internal pre-set value by comparing the input with the pre-set value.

Complete isolation is employed between the power, input, and output circuits.

Specification

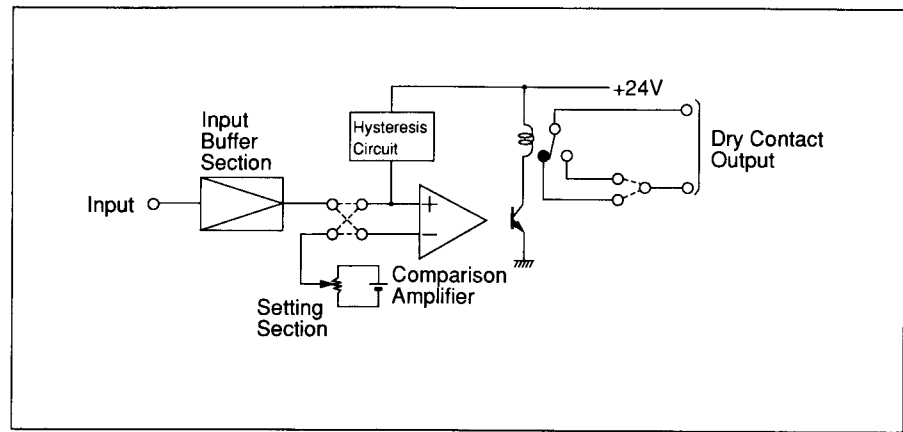
- Type
 - One PV, one or two alarm outputs
- Input signal :
 - 1 to 5V DC or 4 to 20mA DC
- Input bias current :
 - 1 μ A or less (voltage)
- Input impedance :
 - 250 Ω (current)
- Output signal :
 - Dry contact SPST
 - (one pair for one-point alarm, two pairs for two-point alarm)
- Output contact capacity :
 - 30V DC, 1A (resistive load)
 - 100V AC, 0.3A (resistive load)
- Number of alarm points:
 - One or two points
- Alarm action (fixed) :
 - One point alarm;
 - Normally de-energized, or energized Hi or Lo alarm
 - Two-point alarm;
 - Normally de-energized, or energized Hi and Lo, Hi and Hi, or Lo and Lo alarm
- Alarm setting range:
 - 0 to 100%FS
- Dead band:
 - 0.25% or less
- Setting accuracy :
 - $\pm 0.25\%$ FS
- Common mode rejection ratio :
 - 80dB (at 50Hz)
- Power supply :
 - 24V DC $\begin{matrix} +15\% \\ -10\% \end{matrix}$
- Current consumption :
 - 60mA max.
 - (at 24V DC) (one-point alarm)
 - 80mA max.
 - (at 24V DC) (two-point alarm)



- Ambient temperature :
 - 5 to + 55 $^{\circ}$ C
- Ambient humidity:
 - 0 to 90%RH
- Mounting :
 - Panel, Wall, DIN rail mounting
- Color of front mask :
 - Black
- Weight :
 - 400g
- Operating influence :
 - Supply voltage effect ;
 - $\pm 0.1\%$ FS/24V DC $\begin{matrix} +15\% \\ -10\% \end{matrix}$
 - Temperature effect ;
 - $\pm 0.25\%$ FS/ $\pm 20^{\circ}$ C

Theory of Operation

An input provides a high common noise rejection by the high impedance amplifier in the Input Buffer circuit, and the Filter circuit removes any AC noise, resulting in stable 1 to 5V DC signal. The Comparison Amplifier compares an input signal with the pre-set signal (1 to 5V DC) to actuate the relay. The Hysteresis circuit prevents chattering when restoring the Comparison Amplifier after its operation.



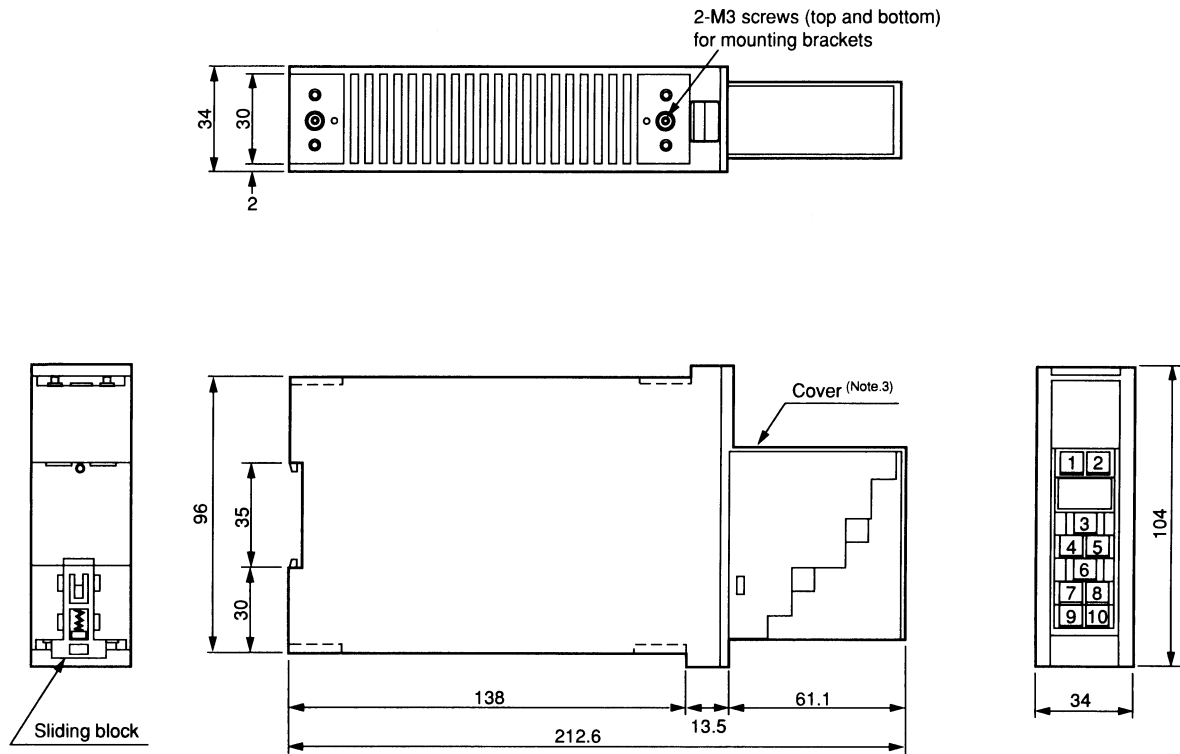
Model Number Table

Basic Model Number	Selections		Description
	I	II	
J-SSP 50			Monitor Switch Module
	-1		1 to 5V DC input
	-2		4 to 20mA DC input
		1	One-point alarm
		2	Two-point alarm

Note) When ordering, specify the following alarm output type and Hi or Lo alarm setting value (%)

Output type	Relay (at normal operation)	Output contact (at normal operation)
Standard	De-energized	Open
A	De-energized	Closed
B	Energized	Closed
C	Energized	Open

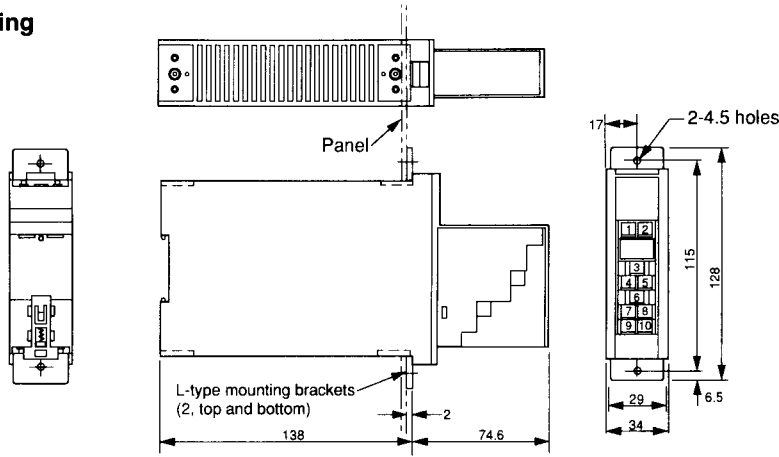
Dimensions and Wirings



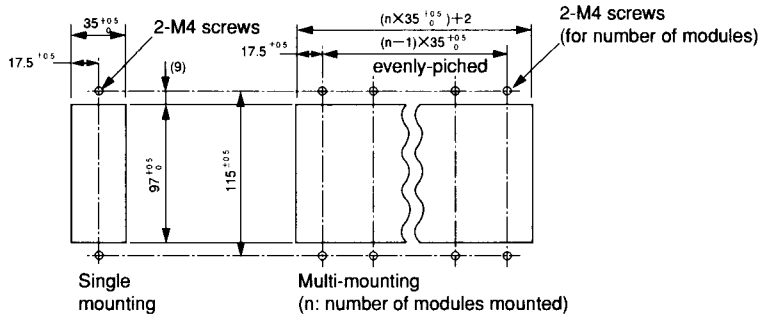
No.	Description
1	— — (Note.1)
2	Input (-) (Note.1)
3	Input (+)
4	Output 1
5	Output 1
6	Output 2 (Note.2)
7	Output 2 (Note.2)
8	24V (PS+)
9	GND
10	0V (PS-)

- Note : 1) 250 Ω resistor is added for current input.
 2) Two alarm points only.
 3) Do not remove the cover during operation.
 4) Terminal screws : M3.5
 5) Use the terminal clamp with insulation sheath.

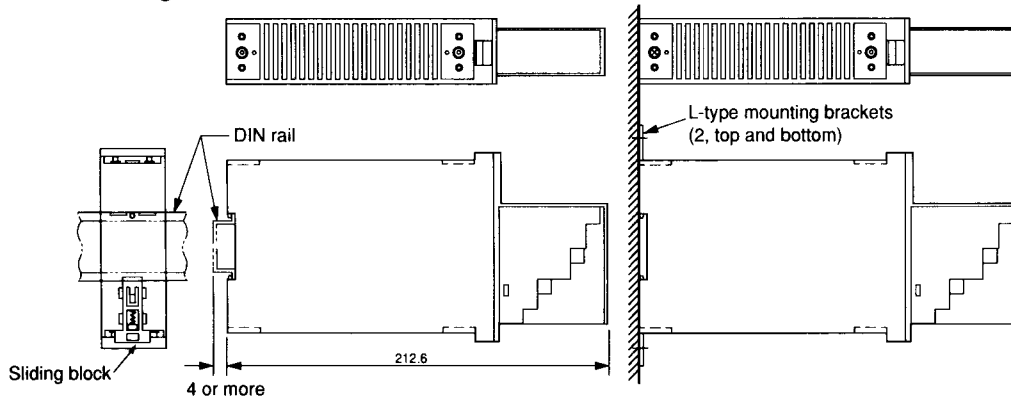
Panel-mounting



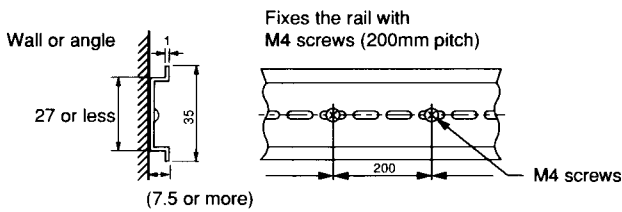
Panel-cutout



DIN rail mounting



DIN rail mounting

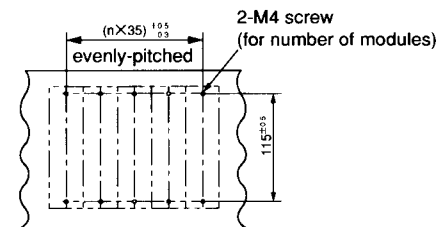


Recommended DIN rail and end fittings

Rail : DAS-4 [Toyo Giken made]
End fittings : ATO-29 [Toyo Giken made]

Wall-mounting

(n: number of modules mounted)



Specifications are subject to change without notice.

YAMATAKE

Yamatake Corporation

Totate International Building
2-12-19 Shibuya
Shibuya-ku Tokyo 150-8316
Tel : 81-3-3486-2216
Fax : 81-3-3486-2503

Yamatake-SIC Control Systems Co., Ltd.
Shanghai Yamatake Jinshan Control Instruments Co., Ltd.
Yamatake Korea Co., Ltd.
Yamatake (Thailand) Co., Ltd.
Yamatake Philippines, Inc.
PT. Yamatake Berca Indonesia
Yamatake Controls Singapore Pte. Ltd.
YCV Corporation

: China 86-10-6510-2505
: China 86-21-6428-8661
: Korea 82-2-785-0280-2
: Thailand 66-2-210-0900-7
: Philippines 63-2-817-6452
: Indonesia 62-21-230-5538
: Singapore 65-778-5966
: U.S.A. 1-602-548-1800

Savemation

Saving through Automation

Yamatake Industrial Systems Co.,Ltd.

<http://www.yamatake.co.jp/>

This has been printed on recycled paper.

9908-Y/Y