

Yamatake-Honeywell**SPECIFICATION****Specifications***Output:* 4 ~ 20 mA DC*Load:* 0 ~ 600 Ω (0 ~ 12 V DC)*Accuracy of valve meter:* $\pm 3\%$ FS*Power supply:* AC 100/113/120 V $\pm 10\%$, 50 or 60 Hz ± 2 Hz*Power consumption:* 10 VA*Ambient temperature:* 0 ~ 50°C*Relative humidity:* 10 ~ 90% RH*Installation:* Indoor panel mounting.*Mounting angle:* Horizontally or the rear of case dropped up to 60° below the horizontal.*Weight:* Approx. 7 kg

**CURRENTRONIK
MANUAL LOADING STATION
(FOR VALVE ACTUATION)**

MODEL: NBW83



NBW83

Options

Following options are available.

(1) Internally DC42 V Power Supply Unit (1-loop)

Item (2) ~ (4) are the semi-standard options.

(2) External power connection for manual control in emergency (Y 6):

(3) With input indicator (Y 9):

(4) DC 42 V constant voltage source with a power switch (Y 10):

Yamatake-Honeywell Co., Ltd.
Process Control Division

Sales Headquarters : Nagai International Bldg., 12-19, Shibuya 2 chome, Shibuya-ku, Tokyo, 150 Japan
Tel : (03) 409-7171 Telex : J22902 Cable : YAMATAKE CO

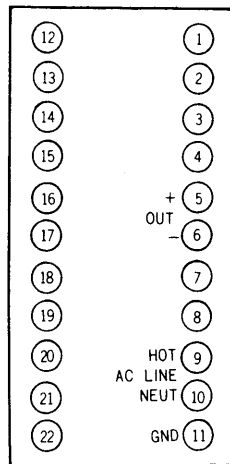
Model Number Table

Example: NBW 83-X-4

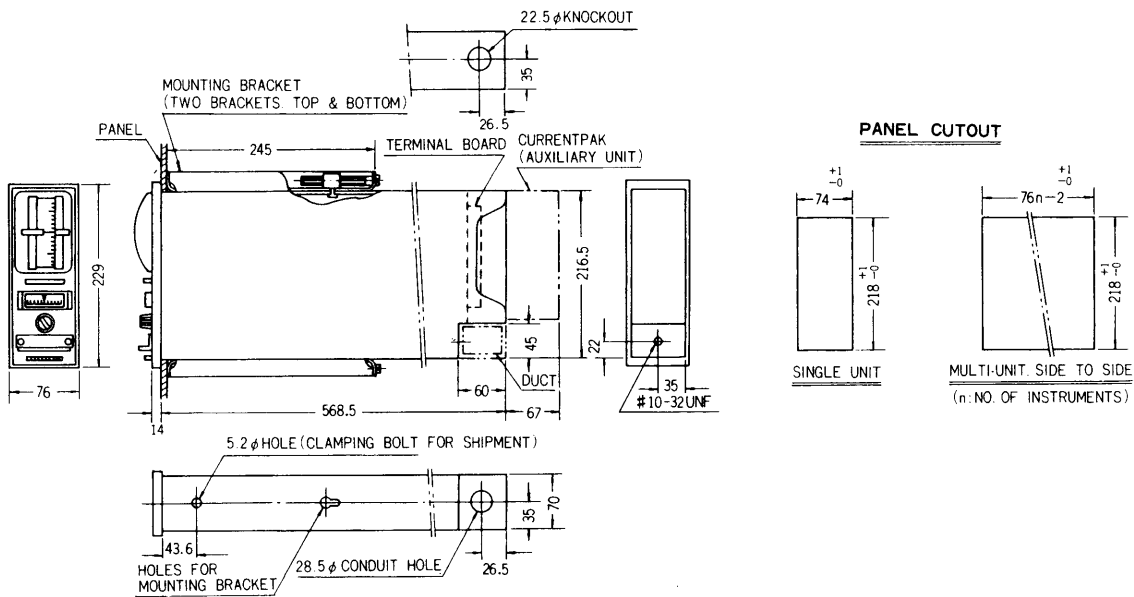
Basic Model No.	Options		Description
	I	II	
NBW 83			Manual Loading Station (for Valve Actuation)
	-X		No Option
		-4	Internally DC 42V Power Supply Unit (1-loop)

Note: When ordering "Y" options (not specified on the Model Number System), please write as: NBW 83Y-X-4 (Y □). When two or more "Y" options are needed, please refer to us.

Terminal Locations



Dimensions



Ordering Information

When ordering, please specify:

1. Model number
2. Power supply; Voltage and frequency
3. Optional specifications

* Specifications are subject to change without notice.

* Reference instruction manual . . . FET-1072