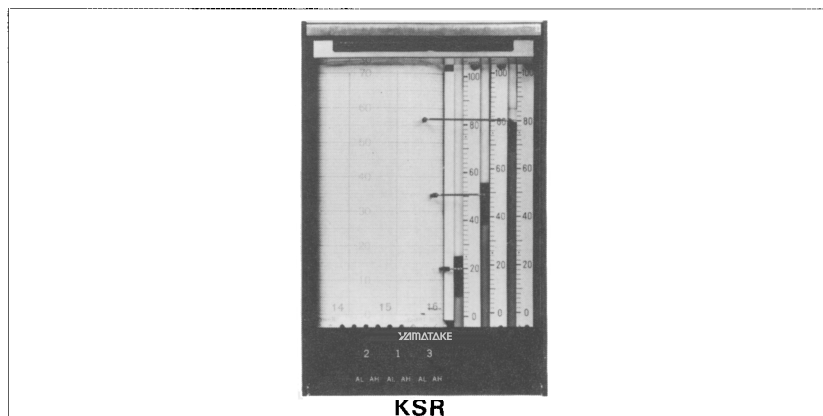


TDC 3000 SSC/NutroniK 8000 Recorder Model KSR

Introduction

The NutroniK 8000 Recorder (KSR) is a 1-pen, 2-pen, or 3-pen recorder of 4" × 6" size, and the chart motor operates on a 24VDC instrument power source. The KSR recorder employs a fiber tip pen, which can easily be replaced, to ensure smooth trace writing without trace breaks. The KSR recorder also provides new advantageous features such as a differential signal receiving and overrange protection systems.



Standard Specifications

Item		Specification
Recording and indicating section	No of recording points	1- 2- or 3-point
	Recording system	Continuous recording
	Effective scale length	100mm (up to 3 scales)
	Recording chart	Type of chart: Rolled Scale length: 100mm Length of chart: 16 meters (approx. 1 month with 20mm/hr speed) Chart speeds: 20/60/100mm/min. or hour, feed stop available. (Setting with switch or jumper pins)
	Pen tip	Fiber tip pen, disposable
	Ink colors	Red (PV1), blue (PV2), green (PV3)
	Indicating accuracy	±0.5% FS
Input section	Input signal	1 to 5V DC
	Input bias current	-1μA DC or less
General specifications	Power supply	DC 24V +15% -10%
	Chart motor power supply	By main power supply
	Power consumption	1-pen recorder: 250mA (DC24V), 2-pen recorder: 370mA (DC24V) 3-pen recorder: 490mA (DC24V)
	Ambient temperature	0 to 50°C
	Ambient humidity	10 to 90% RH
	Installation	Panel flush-mount indoor installation
	Mounting attitude	Horizontal (Recorder rear can be inclined downward 60° maximum from horizontal position.)
	Finish	Case: Dark beige (Munsell 10YR 4.7/0.5) Bezel: Black (Munsell N1.2) Front mask: Transparent acryl plate
	Weight	Approx. 8kg

Selectable Specifications

Item	Specification
Chart motor remote switch	Rating: DC30V, 0.5 A

Optional Specifications

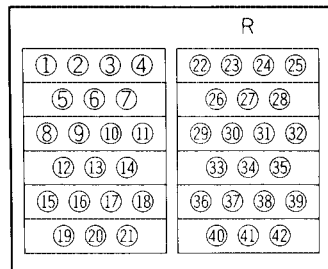
Item	Specification
① Lamp set	Up to 6 sets (DC 24V, 12mA/lamp)
② Monitor switch (with a lamp set)	Output: Open collector Rating: DC 30V, 0.1A resistive load Power consumption: 20mA (DC24V) maximum Setting accuracy: ±5% FS (PV)
③ Input signal (current)	4 to 20mA DC

Model Number Table

Ex: KSR110-01-222

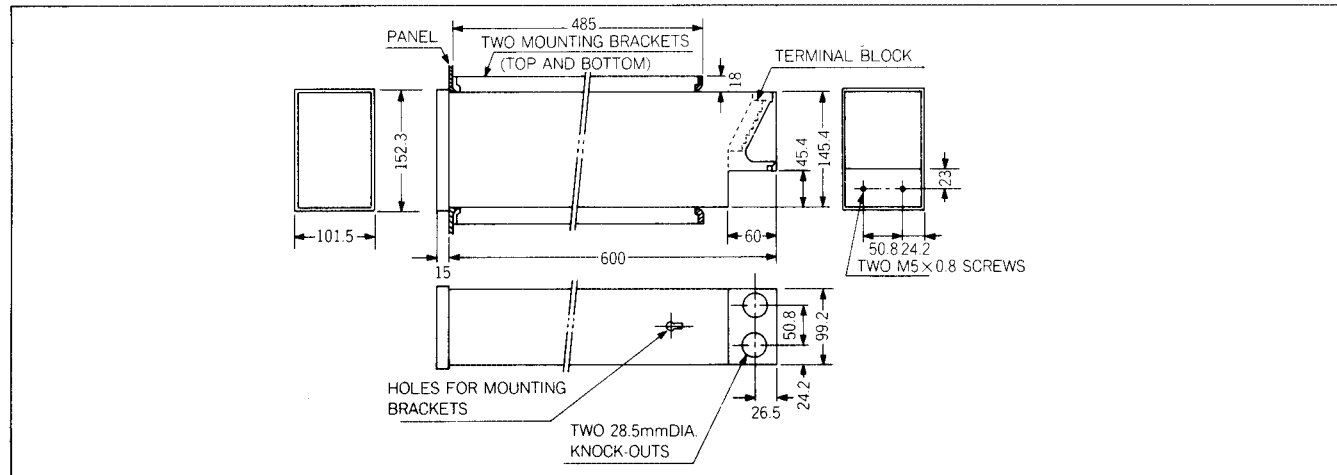
Basic model No.	Selection		Options			Description	
	Power supply	Chart motor switch	Monitor (PV1)	Monitor (PV2)	Monitor (PV3)		
KSR						Recorder	
	110					1-pen recorder	
	210					2-pen recorder	
	310					3-pen recorder	
		-0				DC24V	
			0			Without chart motor contact	
			1			With chart motor contact	
				-0		Without lamp set	
				-1		Lamp set only	
				-2		Monitor 1-pt (with lamp-set)	
				-3		Monitor 2-pt (with lamp-set)	
					0	Without lamp set	
					1	Lamp set only	
					2	Monitor 1-pt (with lamp-set)	
					3	Monitor 2-pt (with lamp-set)	
						0	Without lamp set
						1	Lamp set only
						2	Monitor 1-pt (with lamp-set)
						3	Monitor 2-pt (with lamp-set)

Connections



No.	Symbol	Contents	No.	Symbol	Contents
1	+24V	DC24V power supply +	20	CH. M. SW	Chart motor switch
2	PV1 +	Process variable 1 +	21	GND	Chassis ground
3	PV1 -	Process variable 1 -	22	PV2 +	Process variable 2 +
4	0V	Power common	23	PV2 -	Process variable 2 -
5	---	---	24	PV3 +	Process variable 3 +
6	AL1	Lamp power supply 1	25	PV3 -	Process variable 3 -
7	AH1	Lamp power supply 2	26	CH. M. SW	Chart motor switch
8	AL2	Lamp power supply 1	27	PV1 I/V +	Process variable (current) 1 +
9	AH2	Lamp power supply 2	28	PV1 I/V -	Process variable (current) 1 -
10	AL3	Lamp power supply 1	29	PV2 I/V +	Process variable (current) 2 +
11	AH3	Lamp power supply 2	30	PV2 I/V -	Process variable (current) 2 -
12	0V	Power common	31	PV3 I/V +	Process variable (current) 3 +
13	PV1. ALM1	PV1. Alarm contact 1 +	32	PV3 I/V -	Process variable (current) 3 -
14	+24V	DC24V power supply +	33	0V	Signal common
15	PV1. ALM2	PV1. Alarm contact 2 +	34	0V	Signal common
16	PV2. ALM1	PV2. Alarm contact 1 +	35	0V	Signal common
17	PV2. ALM2	PV2. Alarm contact 2 +	36	---	---
18	PV3. ALM1	PV3. Alarm contact 1 +	37	---	---
19	PV3. ALM2	PV3. Alarm contact 2 +	38	---	---
			39	---	---
			40	---	---
			41	---	---
			42	---	---

Dimensions



Ordering Information

When ordering, please specify:

- 1) Model number
- 2) Scale range
- 3) Tag number

Specifications are subject to change without notice.

Yamatake Corporation

Totate International Building
2-12-19 Shibuya
Shibuya-ku Tokyo 150-8316
Tel : 81-3-3486-2216
Fax : 81-3-3486-2503

Yamatake-SIC Control Systems Co., Ltd.	: China	86-10-6326-9844/55
Shanghai Yamatake Jinshan Control Instruments Co., Ltd.	: China	86-21-5793-5334
Yamatake Korea Co., Ltd.	: Korea	82-2-785-0280-2
Yamatake (Thailand) Co., Ltd.	: Thailand	66-2-210-0900-7
Yamatake Philippines, Inc.	: Philippines	63-2-817-6452
PT. Yamatake Berca Indonesia	: Indonesia	62-21-230-5538/5539
Yamatake Controls Singapore Pte. Ltd.	: Singapore	65-778-5966
YCV Corporation	: U.S.A.	1-602-548-1800

YAMATAKE

Savemation

Saving through Automation

Yamatake Industrial Systems Co.,Ltd.

<http://www.yamatake.co.jp/>

This has been printed on recycled paper.

9907-Y/Y