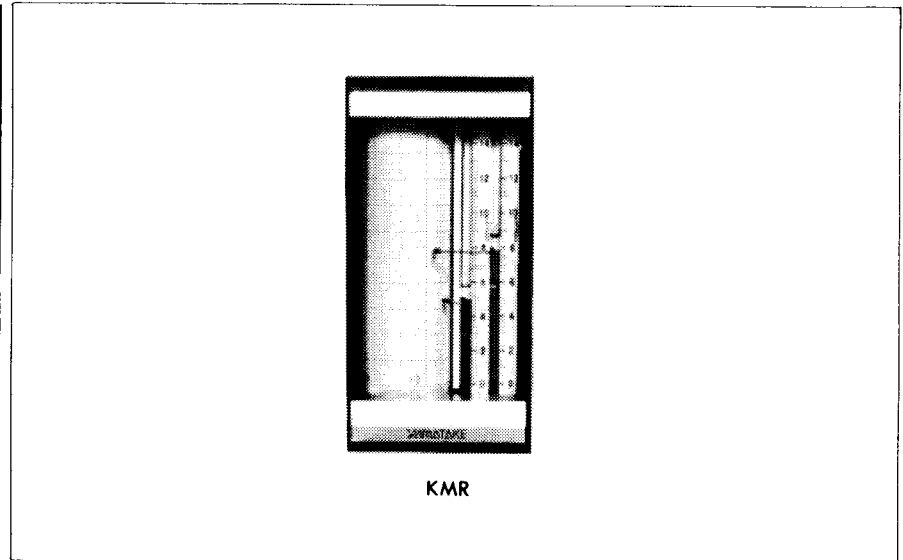


TDC 3000 SSCII/SSC DigitroniK Recorder Model KMR

Introduction

TDC3000 SSCII/SSC DigitroniK Recorder (Model KMR) is a 1-pen or 2-pen recorder of IEC size. Its chart motor operates on a DC 24V instrument power source. It employs a fiber tip pen which ensures smooth trace writing without trace breaks and which can be easily replaced. It also is incorporated with new advantageous features such as a differential signal reception system and an overrange protection system.



Standard Specifications

Item		Description
Recording and indicating section	No. of recording points	1- or 2-point
	Recording system	Continuous recording
	Effective scale length	100 mm (up to 2 scales)
	Recording chart	Type of chart: Rolled type Scale length: 100 mm Length of chart: 16 meters (approx. 1 month with 20 mm/hr speed) Chart speeds: 20/60/120 mm/min. or hour, feed stop available. (Setting with switch or jumper pins)
	Pen tip	Fiber tip pen, disposable
	Ink colors	Red (PV1), Blue (PV2)
	Indicating accuracy	±0.5% FS
Input section	Input signal	1 to 5V DC
	Input bias current	-1 μA DC or less
General specifications	Power supply	DC 24V ^{+15%} _{-10%}
	Chart motor power supply	Tapped from the power supply.
	Power consumption	1-pen recorder: 250 mA (DC24V) 2-pen recorder: 370 mA (DC24V)
	Ambient temperature	0 to 50°C
	Ambient humidity	10 to 90% RH
	Installation	Panel flush mount, indoor installation
	Mounting attitude	Horizontal (Recorder rear can be inclined downward 60° maximum from horizontal position.)
	Finish	Case: Dark beige (Munsell 10YR 4.7/0.5) Bezel: Black (Munsell N1. 2) Front mask: Transparent acryl plate
Weight	4.8 kg	

Selectable Specifications

Item	Description
Chart motor remote switch	Rating: DC30V, 0.5 A

Model Number Table

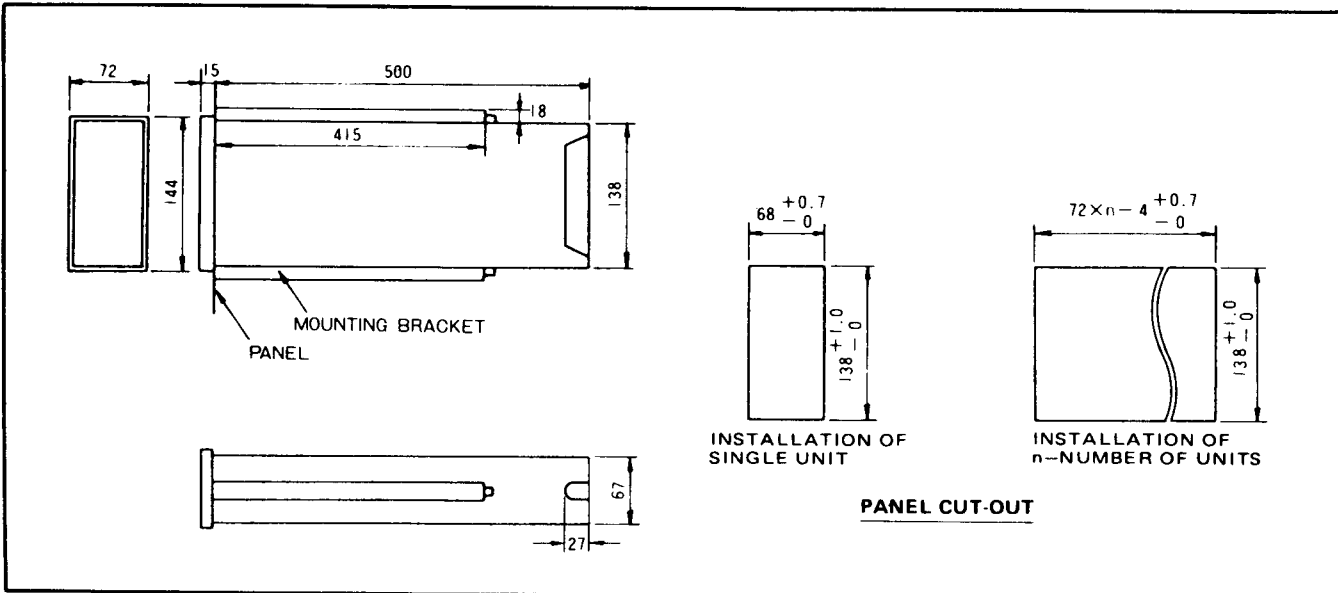
Ex. KMR110-01-X

Basic model No.	Selections		Options	Description
	Power supply	Chart motor switch		
KMR	110			Recorder
	210			1-pen recorder
				2-pen recorder
		-0		DC24V
			0	Without chart motor contact
			1	With chart motor contact
			-X	No options

Connections

Customer Terminals					
1	2	① +	DC24V POWER (+)	⑩	—
3	4	② +	DC24V POWER (+)	⑪	—
5	6	③	—	⑫	—
7	8	④ 0V	POWER COMMON	⑬ CH.M SW	CHART MOTOR SWITCH
9	10	⑤	—	⑭ CH.M SW	CHART MOTOR SWITCH
11	12	⑥ - -	—	⑮ GND	CHASSIS GROUND
13	14	⑦ PV1+	PROCESS VARIABLE NO.1 (+)	⑯	—
15	16	⑧ PV1-	PROCESS VARIABLE NO.1 (-)		
17	18	⑨ PV2+	PROCESS VARIABLE NO.2 (+)		
19	20	⑩ PV2-	PROCESS VARIABLE NO.2 (-)		
21	22	⑪ 0V	POWER COMMON		
		⑫ 0V	POWER COMMON		
		⑬	—		
		⑭	—		
		⑮	—		

Dimensions



Ordering Information

Reference instruction manual OM2-262-010

When ordering, please specify:

- 1) Model No.
- 2) Scale range
- 3) Tag No.

Specifications are subject to change without notice.

Yamatake Corporation

Totate International Building
2-12-19 Shibuya
Shibuya-ku Tokyo 150-8316
Tel : 81-3-3486-2216
Fax : 81-3-3486-2503

Yamatake-SIC Control Systems Co., Ltd.
Shanghai Yamatake Jinshan Control Instruments Co., Ltd.
Yamatake (Thailand) Co., Ltd.
Yamatake Philippines, Inc.
PT. Yamatake Berca Indonesia
Yamatake Controls Singapore Pte. Ltd.
YCV Corporation

: China 86-10-6326-9844/55
: China 86-21-5793-5334
: Thailand 66-2-210-0900-7
: Philippines 63-2-817-6452
: Indonesia 62-21-230-5537/5539
: Singapore 65-778-5966
: U.S.A. 1-602-548-1800

YAMATAKE

Savemation

Saving through Automation

Yamatake Industrial Systems Co., Ltd.

<http://www.yamatake.co.jp/>

9903-Y/Y

This has been printed on recycled paper.