

SP.NO.

# Yamatake Corporation

## 製品仕様書 SPECIFICATIONS

Flow Rates: (Averages)

Pipe Size	Model No.	Minimum Adjustment (Factory adj.)				Maximum Adjustment			
		Flow		No Flow		Flow		No Flow	
		l/min.	m/s	l/min.	m/s	l/min.	m/s	l/min.	m/s
1 inch	FS5-J-1	5.7	0.18	3.8	0.12	57	1.7	38	1.1
	FS5-DJ-1								
3/4 inch	FS5-J-3/4	5.7	0.27	3.8	0.18	57	2.7	38	1.8
	FS5-DJ-3/4								

FS5-DJ-1 and FS5-DJ-3/4 include two separate SPDT switches.

Flow rates are averages which may vary within  $\pm 10\%$  of tabulated values.

Switching Operation:

When flow rate is increased;

- Closes circuit between terminals C and NO
- Opens circuit between terminals C and NC

When flow rate is decreased;

- Opens circuit between terminals C and NO
- Closes circuit between terminals C and NC

Electrical Ratings: Ampere rating

		115VAC	230VAC
Motor	Full Load	7.4	3.7
Duty	Locked Rotor	44.4	22.2

		115VDC	230VDC
D.C. Load		0.3	0.15

Pilot Duty: 125VA, 115 - 230VAC

Maximum Working Pressure: 1.03MPa {10.5kgf/cm<sup>2</sup>}

Maximum Temperature: 120°C

Insulation Resistance: 50MΩ min. by 500V megger between each terminal and case.

Dielectric Strength: Devices shall be capable of withstanding a potential of 1500VAC for 1 minute or 1800VAC for 1 second between each terminal and case without breakdown.

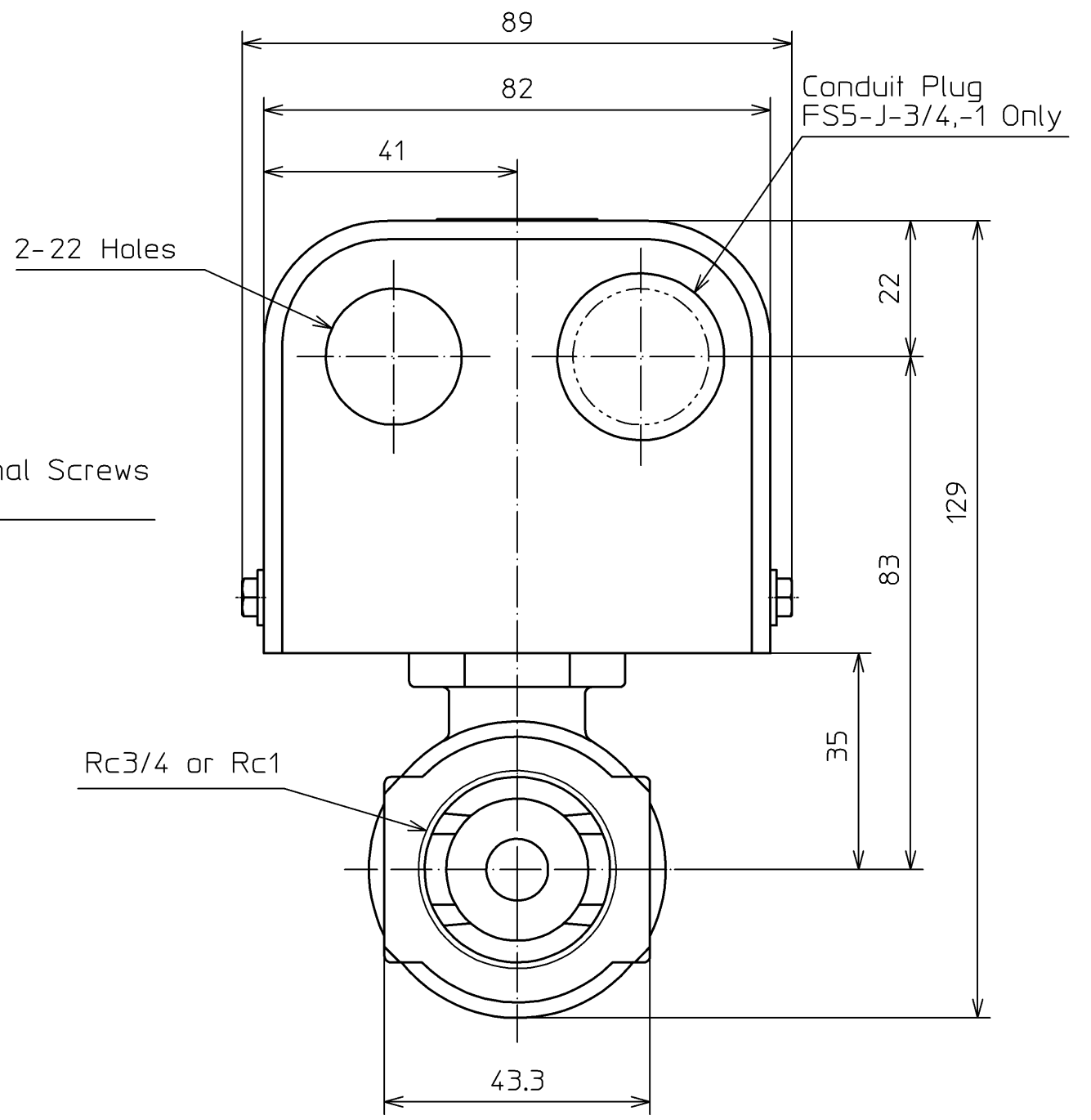
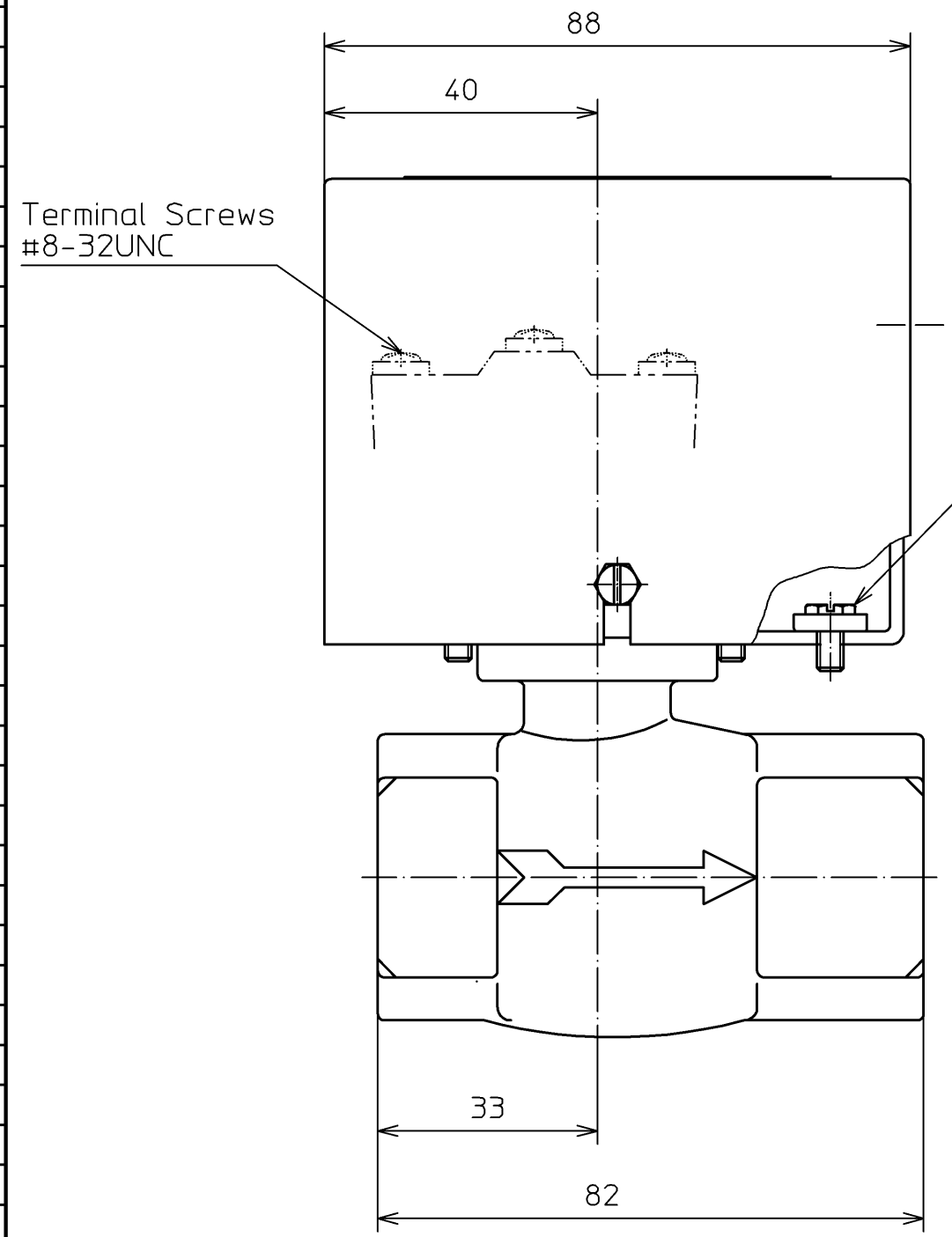
作成DR. Morozumi 2-10-'76		尺度 SCALE ~	記入のない公差TOL.UNLESS NOTED ~
検図CHK Takeuchi 2-10-'76	形番 MODEL	FS5	
認可APPD. Tanaka 2-10-'76	名称 NAME	FLOW SWITCH	
日付DATE Jun 17, 94	図番 NO.	2243E	改番REV 04 1/3

3 01	04	Redrawing	6-7-'94	I.H	Shoji
2 03	改番	来歴	日付	担当	検閲
頁	改番	RECORD	DATE	BY	APPD.

SP. No.

Yamatake Corporation

製品仕様書  
SPECIFICATIONS

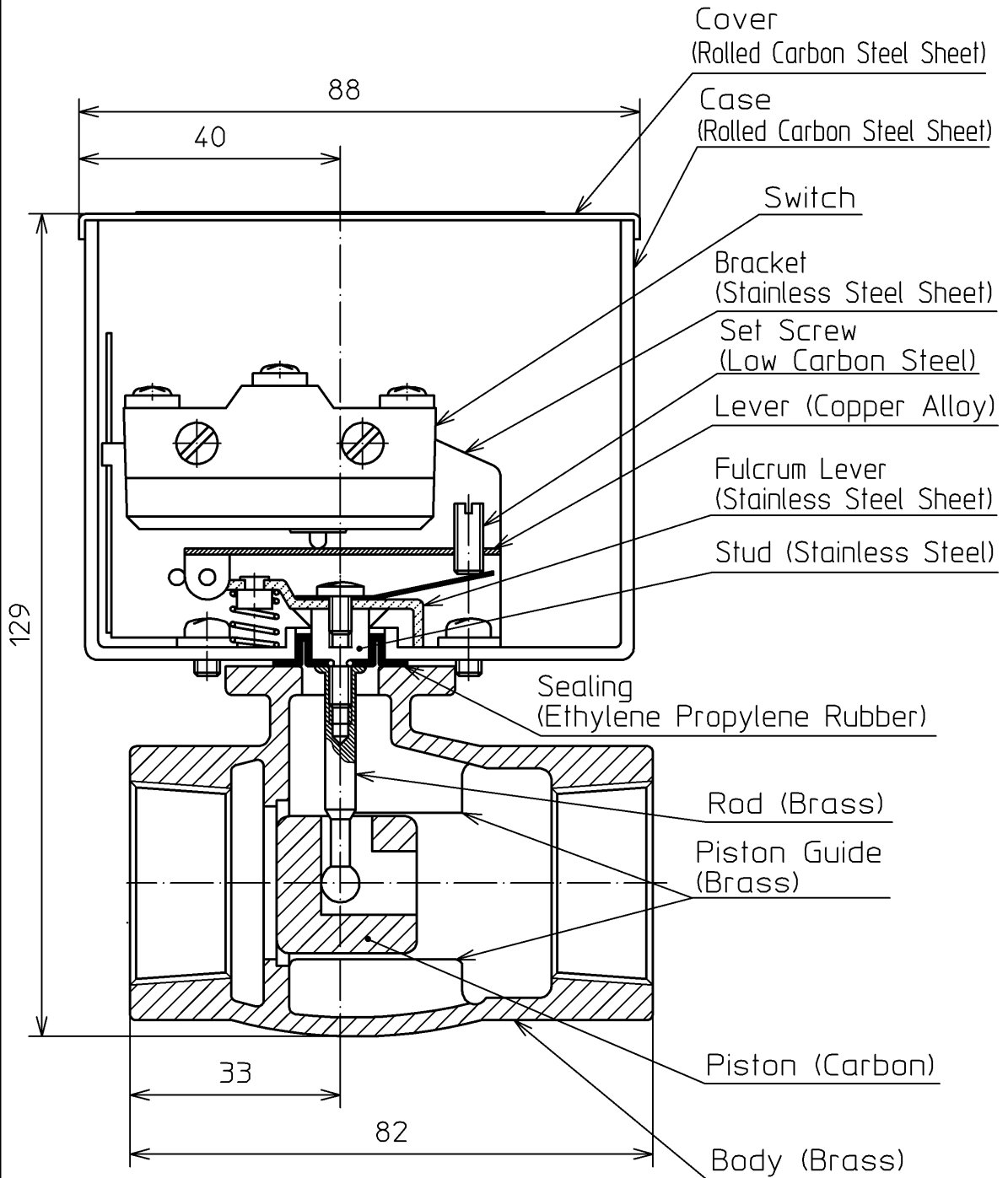


作成DR. T. Akimoto 2.10.76	検図CHK. Y. Nakanishi 2.10.76	認可APPD K. Tanaka 2.10.76	日付DATE 6.17'94	来歴 RECORD	日付 DATE	担当 BY	検閲 APPD.	形番 MODEL FS5	名称 NAME FLOW SWITCH	図番 NO. AD2243E	改番REV. 03	2/3
尺度SCALE 記入のない公差 TOL. UNLESS NOTED												

SP. No.

Yamatake Corporation

製品仕様書  
SPECIFICATIONS



作成DR. A.Sato 7.1.83	検図CHK. M.Ogido 7.1.83	認可APPD. H.Kishi 7.1.83	形番 MODEL FS5	名称 NAME FLOW SWITCH	尺度SCALE 記入のない公差 TOL. UNLESS NOTED
01	REDRAWN	6.15.'94	S.Nakanishi	M.O	日付DATE 6.17.'94
改番REV.	来歴RECORD	: 日付DATE	担当BY	検閱APPD.	図番NO. AD2243E
改番REV.	改番REV.				改番REV. 3/3

頁改番  
PAGE REV.

SP.NO.

**Yamatake Corporation**

製品仕様書  
**SPECIFICATIONS**

“RESTRICTIONS ON USE”

This product has been designed, developed and manufactured for general-purpose application in machinery and equipment.

Accordingly, when used in applications outlined below, special care should be taken to implement a fail-safe and/or redundant design concept as well as a periodic maintenance program.

- Safety devices for plant worker protection
- Start/stop control devices for transportation and material handling machines
- Aeronautical/aerospace machines
- Control devices for nuclear reactors

Never use this product in applications where human safety may be put at risk.

1	00	00	First issue	12-2-02	Harada	Miura
頁	改番	改番	来歴	日付	担当	検閲
	REV.	REV.	RECORD	DATE	BY	APPD.