

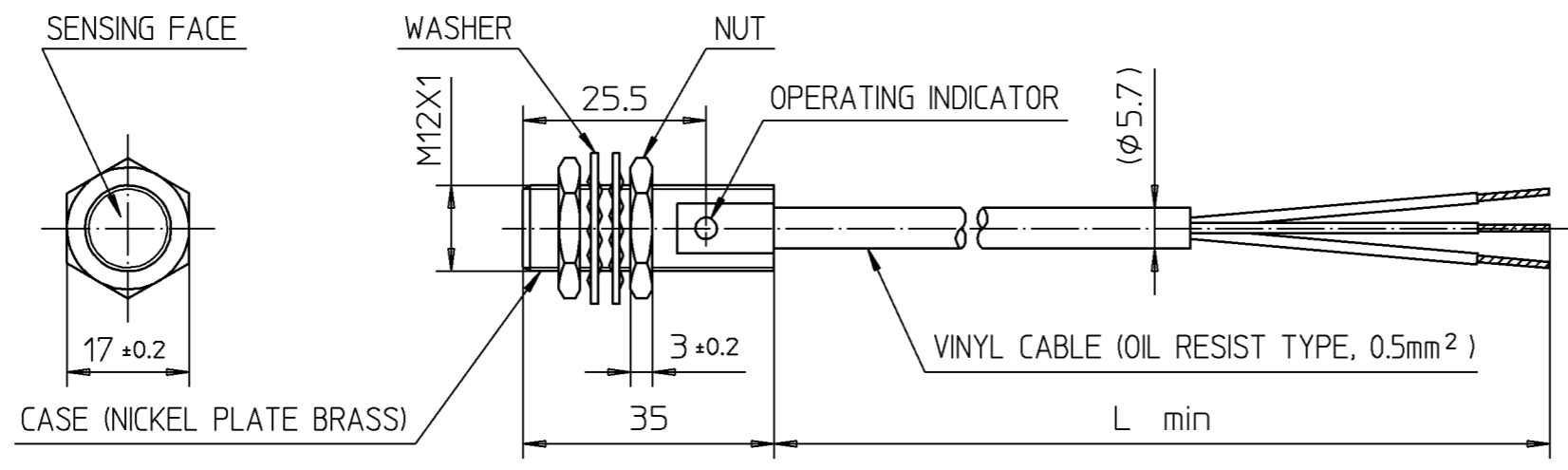
SP. No.

Yamatake Corporation

製品仕様書
SPECIFICATIONS

CATALOG LISTING	OUTPUT CIRCUIT	L min
FL7M-2D6-903-L1	PNP N.O.	1000
FL7M-2D6-903	PNP N.O.	3000
FL7M-2D6-903-L5	PNP N.O.	5000
FL7M-2E6-903	PNP N.C.	3000

1. MOUNTING DIMENSIONS



01	JEO 94-2236	10.3 '94	S.K.	S.S.
改番 REV.	来歴 RECORD	: 日付 DATE	担当 BY	検閲 APPD.

作成DR. K.I. 10-8-'92	検図CHK. S.S. 10-10-'92	認可APPD. S.Nonaka 10-12-'92	尺度SCALE 1:1 記入のない公差TOL. UNLESS NOTED ±0.8
形番 MODEL		FL7M-2D/E6-903 SERIES	
名称 NAME		PROXIMITY SWITCH	
図番 NO.		AD40949E	
		改番REV.	1/2

S.P. No.

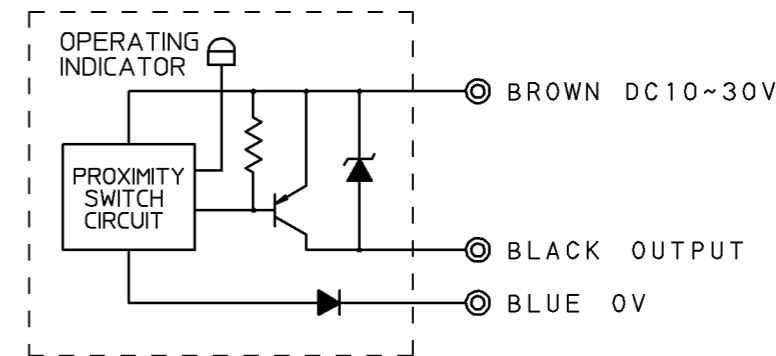
Yamatake Corporation

製品仕様書
SPECIFICATIONS

2. SPECIFICATIONS

	FL7M-2D6-903(-L※)	FL7M-2E6-903
TYPE	DC 3-WIRE OUTPUT, EDDY CURRENT KILLED OSCILLATOR	
RATED SUPPLY VOLTAGE	DC 12V/24V	
SUPPLY VOLTAGE RANGE	DC 10~30V	
CURRENT CONSUMPTION	15mA max. (DC24V)	
SENSING DISTANCE	2 ^{+0.4} / _{-0.2} mm	
STANDARD TARGET	12×12mm f1mm (SPCC)	
DIFFERENTIAL TRAVEL	10% max. OF SENSING DISTANCE	
REPETITION	500Hz	
TEMPERATURE DRIFT	±10% OF SENSING DISTANCE (AT +25℃) BETWEEN -25~+70℃	
SUPPLY VOLTAGE DRIFT	±1% OF SENSING DISTANCE (AT RATED VOLTAGE) BETWEEN RATED VOLTAGE ±15%	
MAXIMUM LOAD CURRENT	100mA	
ON-STATE OUTPUT VOLTAGE	0.5V max. (100mA)	
OUTPUT CIRCUIT	OPEN COLLECTOR CURRENT SOURCE NORMALY OPEN	OPEN COLLECTOR CURRENT SOURCE NORMALY CLOSE
ISOLATION RESISTANCE	50MΩ min. BY DC 500V MEGGER	
DIELECTRIC WITHSTANDING VOLTAGE	AC 500V 50/60Hz 1 MINUTE	
VIBRATION RESISTANCE	DOUBLE AMPLITUDE OF 1.5mm AND FREQUENCY OF 10 TO 50Hz ARE APPLIED TO EACH DIRECTION OF X.Y. AND Z. FOR 2 HOURS.	
SHOCK RESISTANCE	SHOCK OF 490m/s ² (50G) IS APPLIED EACH DIRECTION OF X.Y. AND Z. FOR 10 TIMES.	
PROTECTION CLASS	CONFORM TO IP67 (IEC STANDARD)	
OPERATING TEMPERATURE RANGE	-25~+70℃	
STORAGE TEMPERATURE RANGE	-25~+70℃	
OPERATING INDICATION	LED (RED) IS LIGHTED WHEN OUTPUT IS ON-STATE	
CONNECTION	PRE WIRED	
CIRCUIT PROTECTION	SHORT CURRENT PROTECTION AND WRONG WIRING PROTECTION	

3. CONNECTION DIAGRAM



頁 改番

改番 REV. 来歴 RECORD : 日付 DATE 担当 BY 検閲 APPD.

作成DR. K.I. 10-8-'92	形番 MODEL	FL7M-2D/E6-903 SERIES	尺度SCALE	記入のない公差TOL. UNLESS NOTED
検図CHK. S.S. 10-10-'92	名称 NAME	PROXIMITY SWITCH		
認可APPD. S.Nonaka 10-12-'92	日付DATE		改番REV.	2/2
	図番 NO.	AD40949E		

SP.NO.

Yamatake Corporation

製品仕様書
SPECIFICATIONS

“RESTRICTIONS ON USE”

This product has been designed, developed and manufactured for general-purpose application in machinery and equipment.

Accordingly, when used in applications outlined below, special care should be taken to implement a fail-safe and/or redundant design concept as well as a periodic maintenance program.

- Safety devices for plant worker protection
- Start/stop control devices for transportation and material handling machines
- Aeronautical/aerospace machines
- Control devices for nuclear reactors

Never use this product in applications where human safety may be put at risk.

1	00	00	First issue	12-2-02	Harada	Miura
頁	改番	改番	来歴	日付	担当	検閲
	REV.	REV.	RECORD	DATE	BY	APPD.