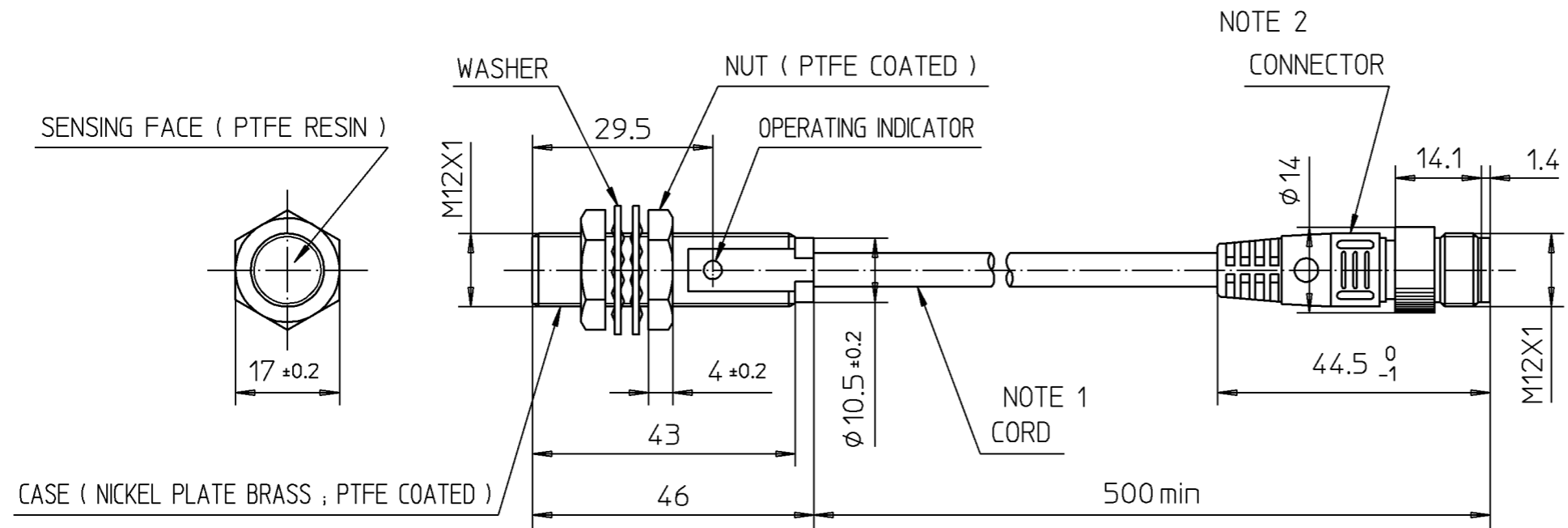


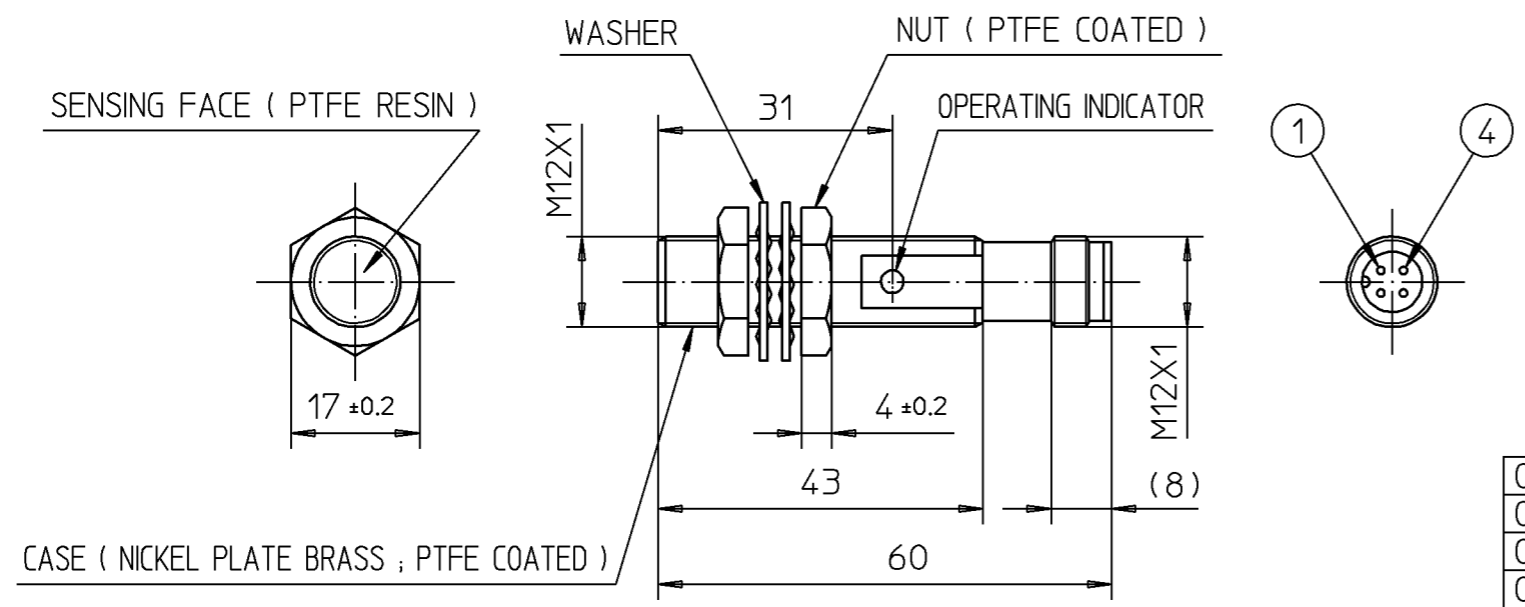
SR. No.
460-2-040-0 / 460-2-041-0
460-6-061-0

1. MOUNTING DIMENSIONS

FL7M-3J6HWT-CN05

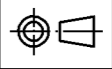


FL7M-3J6HWT-CN



3. PLEASE USE THE "PA5" SERIES (DC TYPE) OF OUR VA CONNECTOR.
2. MATERIAL OF CONNECTOR
HOUSING : POLYESTER ELASTOMER / LIGHT GRAY
CONTACT : BRASS , Au PLATED
COUPLING : BRASS , Ni PLATED
NOTE 1. FLAME RESISTANCE & VIBRATION RESISTANCE
DIA. : φ 5.5 , 0.3mm² , MADE BY KURABE INDUSTRIAL Co.,LTD. OR
DIA. : φ 5.3 , 0.5mm² , MADE BY NISSEI ELECTRIC Co.,LTD.

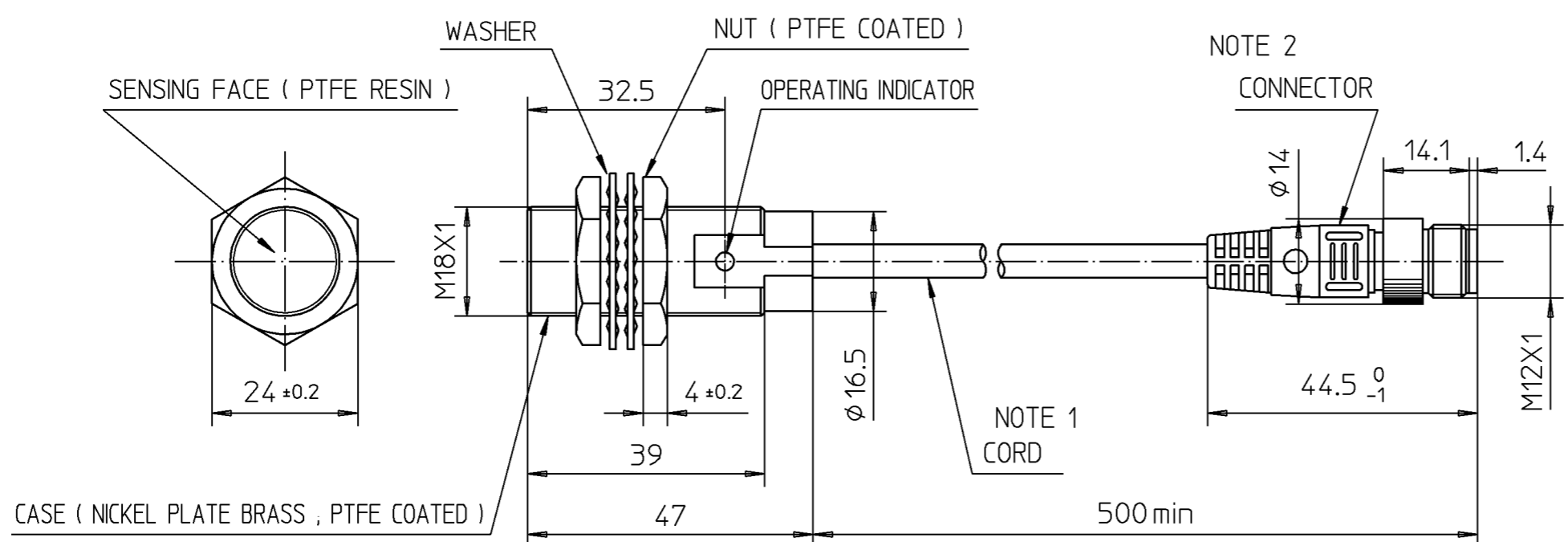
4 06
3 05
2 05
頁 改番

06	JE0.96-2284	12-24 '96	Y.K.	S.S.	作成DR. K. I.		尺度 SCALE	記入のない公差 TOL. UNLESS NOTED
05	JE0.96-2274	12-5 '96	Y.N.	S.S.	9-19 '90		1 : 1	± 0.8
04	JE0.96-2179	8-1 '96	Y.K.	S.S.	検図CHK. S. S.	形番 MODEL	FL7M-※J/K6(H)WT-CN(05)	
03	JE0.95-2136	8-22 '95	S.S.	S.S.	9-19 '90		名称 NAME	PROXIMITY SWITCH
02	JE0.95-2094	4-14 '95	S.K.	S.S.	認可APPD Y. K.	図番 NO.		AD40455E
01	JE0.92-2244	7-28 '92	K. I.	S.S.	9-19 '90		日付 DATE	
改番 REV.	来歴 RECORD	: 日付 DATE	担当 BY	検閲 APPD.				

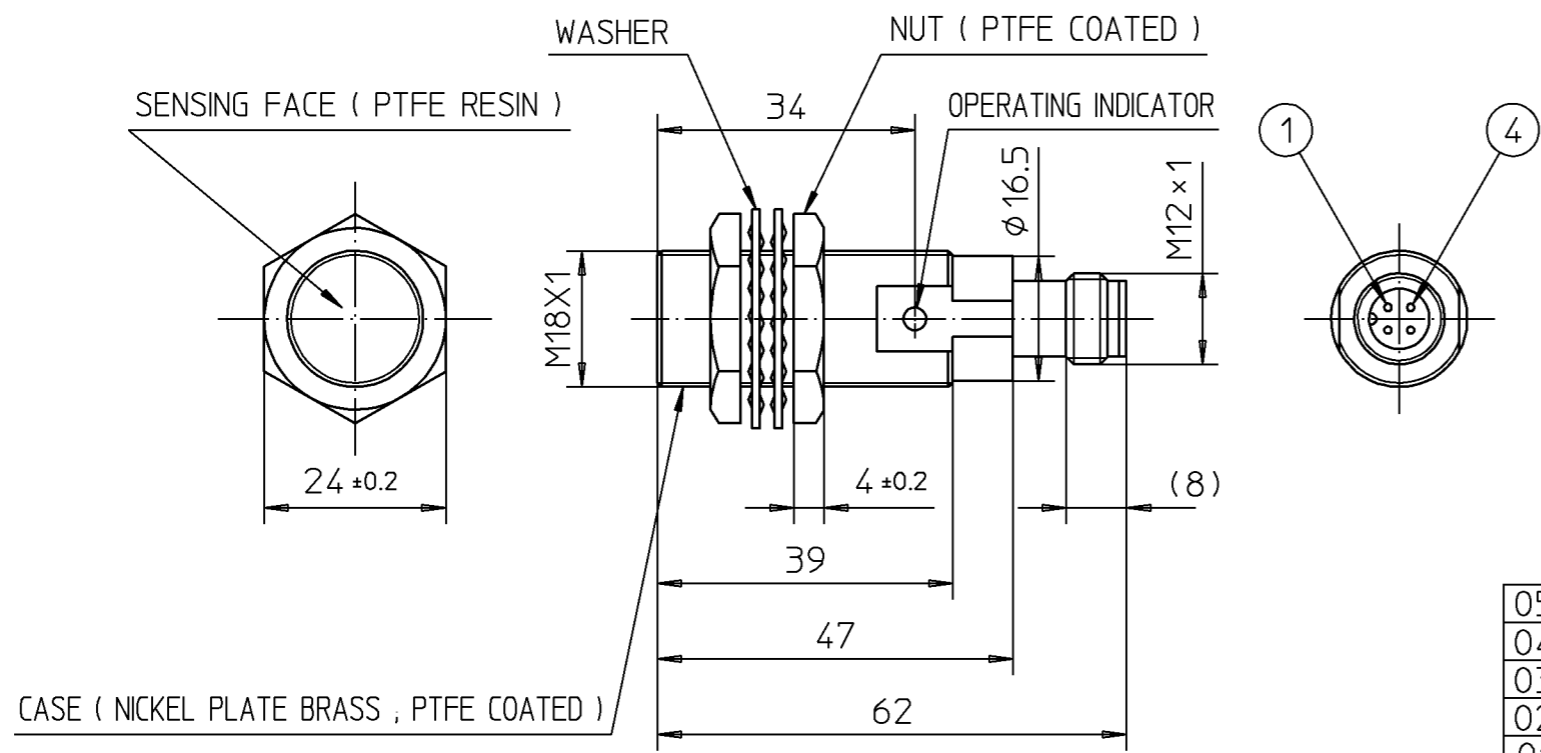
SR. No.
460-2-040-0 / 460-2-041-0
460-6-061-0

1. MOUNTING DIMENSIONS

FL7M-7J6HWT-CN05



FL7M-7J6HWT-CN



3. PLEASE USE THE "PA5" SERIES (DC TYPE) OF OUR VA CONNECTOR.
2. MATERIAL OF CONNECTOR
HOUSING : POLYESTER ELASTOMER/LIGHT GRAY
CONTACT : BRASS , Au PLATED
COUPRING : BRASS , Ni PLATED
NOTE 1. FLAME RESISTANCE & VIBRATION RESISTANCE
DIA. : φ5.5 , 0.3mm² , MADE BY KURABE INDUSTRIAL Co.,LTD. OR
DIA. : φ5.3 , 0.5mm² , MADE BY NISSEI ELECTRIC Co.,LTD.

作成DR. K. I. 9-19 '90	検図CHK. S. S. 9-19 '90	認可APPD. Y. K. 9-19 '90	日付DATE	来歴 RECORD	: 日付 DATE	担当 BY	検閲 APPD.	尺度SCALE 1:1	記入のない公差TOL. UNLESS NOTED ± 0.8	形番 MODEL FL7M-※J/K6(H)WT-CN(05)	名称 NAME PROXIMITY SWITCH	図番 NO. AD40455E	改番REV. 05	2/4
----------------------------	-----------------------------	------------------------------	--------	--------------	--------------	----------	-------------	----------------	-----------------------------------	---------------------------------------	--------------------------------	-----------------------	--------------	-----

SP. No.
 90-9-014-0/90-2-119-1/460-2-040
 460-2-041-0/460-6-061-0

Yamatake Corporation

製品仕様書
SPECIFICATIONS

CATALOG LISTING

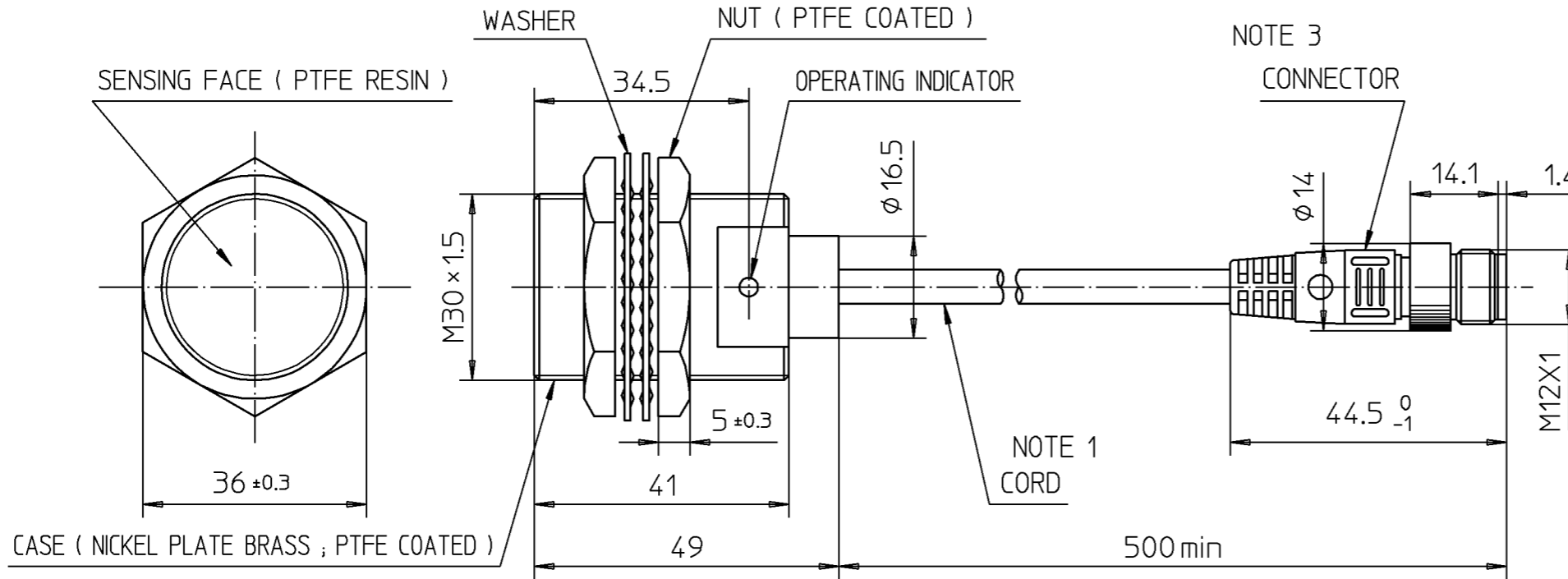
FL7M-10J6WT-CN05

FL7M-10J6WT-CN

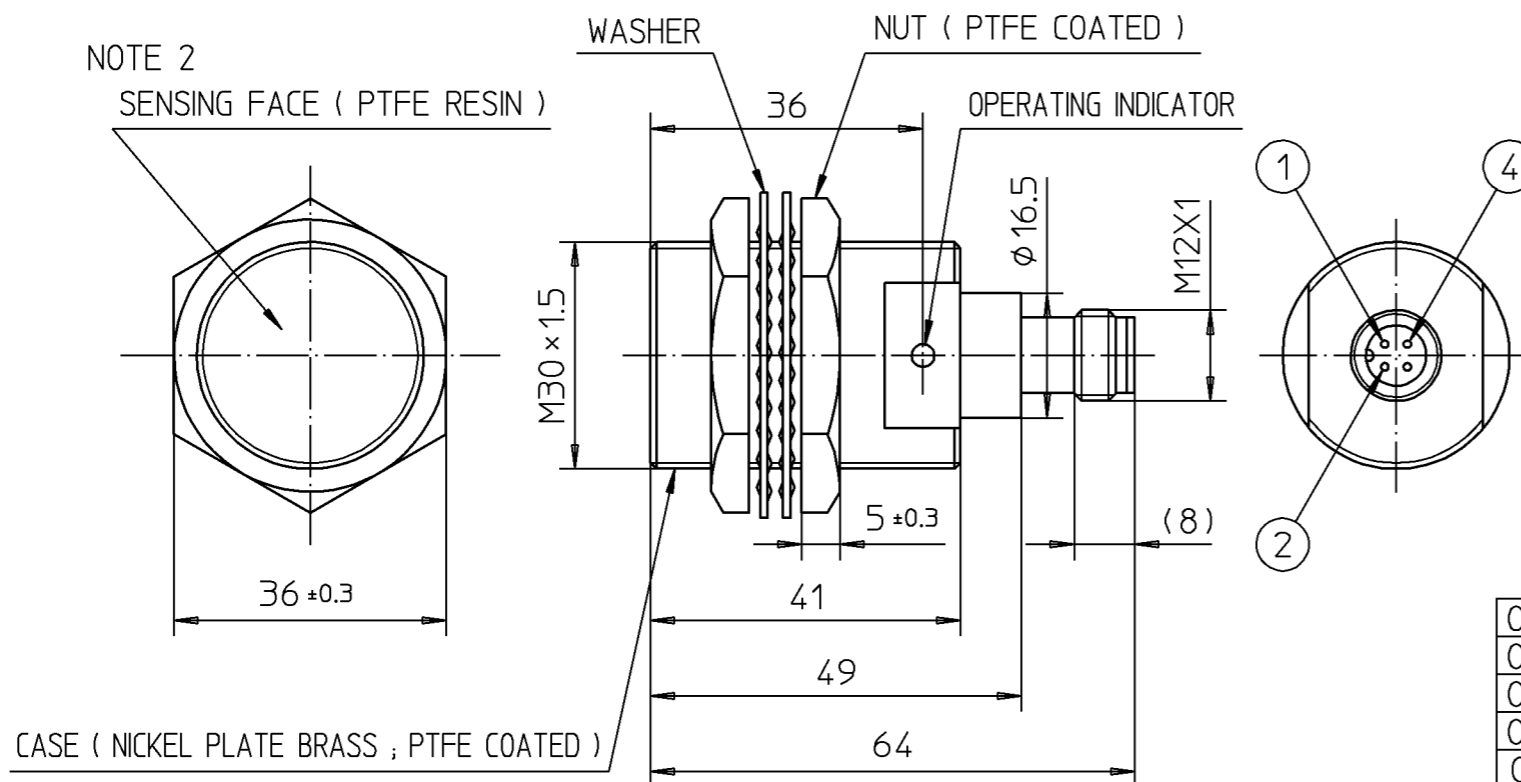
FL7M-10K6WET-CN

1. MOUNTING DIMENSIONS

FL7M-10J6WT-CN05



FL7M-10*6W(E)T-CN



4. PLEASE USE THE "PA5" SERIES (DC TYPE) OF OUR VA CONNECTOR.

3. MATERIAL OF CONNECTOR

HOUSING : POLYESTER ELASTOMER / LIGHT GRAY

CONTACT : BRASS , Au PLATED

COUPRING : BRASS , Ni PLATED

2. FL7M-10K6WET-CN ; SENSING FACE COLOR IS BLACK.

NOTE 1. FLAME RESISTANCE & VIBRATION RESISTANCE

DIA. : φ 5.5 , 0.3mm² , MADE BY KURABE INDUSTRIAL Co.,LTD. OR

DIA. : φ 5.3 , 0.5mm² , MADE BY NISSEI ELECTRIC Co.,LTD.

05	~	~	~
04	~	~	~
03	~	~	~
02	~	~	~
01	~	~	~
改番 REV.	来歴 RECORD	: 日付 DATE	担当 BY 検閲 APPD.

作成DR. K. I. 9-19 '90	検図CHK. S. S. 9-19 '90	認可APPD. Y. K. 9-19 '90	日付DATE	形番 MODEL	名称 NAME	図番 NO.	改番REV.
尺度SCALE	記入のない公差TOL. UNLESS NOTED	1:1	±0.8	FL7M-*J/K6(H)WT-CN(05)	PROXIMITY SWITCH	AD40455E	05
							3/4

S.P. No.

Yamatake Corporation

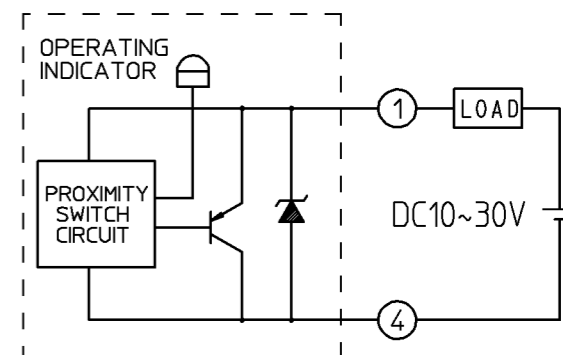
製品仕様書
SPECIFICATIONS

2. SPECIFICATIONS

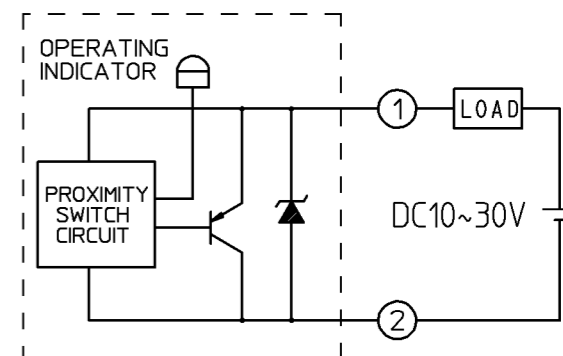
	FL7M-3J6HWT-CN05	FL7M-3J6HWT-CN	FL7M-7J6HWT-CN05	FL7M-7J6HWT-CN	FL7M-10J6WT-CN05	FL7M-10J6WT-CN	FL7M-10K6WET-CN
TYPE	DC 2-WIRE OUTPUT, EDDY CURRENT KILLED OSCILLATOR						
RATED SUPPLY VOLTAGE	DC 12V/24V						
SUPPLY VOLTAGE RANGE	DC 10~30V						
CURRENT CONSUMPTION	1.0mA max.			0.9mA max.			
SENSING DISTANCE	3±0.3 mm	7±0.7 mm		10 ⁺² ₋₁ mm			
STANDARD TARGET	12×12mm t1mm (SPCC)	18×18mm t1mm (SPCC)		30×30mm t1mm (SPCC)			
DIFFERENTIAL TRAVEL	15% max. OF SENSING DISTANCE						
REPETITION	800Hz min.	300Hz min.		600Hz min.			
TEMPERATURE DRIFT	±10% OF SENSING DISTANCE (AT +25℃) BETWEEN -25~+70℃						
SUPPLY VOLTAGE DRIFT	±1% OF SENSING DISTANCE (AT RATED VOLTAGE) BETWEEN RATED VOLTAGE ±15%						
MAXIMUM LOAD CURRENT	100mA						
MINIMUM LOAD CURRENT	8mA						
ON-STATE OUTPUT VOLTAGE	3.5V max.						
OPERATING MODE	NORMALLY OPEN					NORMALLY CLOSE	
ISOLATION RESISTANCE	50MΩ min. BY DC 500V MEGGER						
DIELECTRIC WITHSTANDING VOLTAGE	AC 1000V 50/60Hz 1 MINUTE						
VIBRATION RESISTANCE	DOUBLE AMPLITUDE OF 1.5mm AND FREQUENCY OF 10 TO 50Hz ARE APPLIED TO EACH DIRECTION OF X.Y. AND Z. FOR 2 HOURS.						
SHOCK RESISTANCE	SHOCK OF 490m/s (50G) IS APPLIED EACH DIRECTION OF X.Y. AND Z. FOR 10 TIMES.						
PROTECTION CLASS *1	CONFORM TO IP67 (IEC STANDARD)						
OPERATING TEMPERATURE RANGE	-25~+70℃						
STORAGE TEMPERATURE RANGE	-40~+85℃						
OPERATING INDICATION	LED (RED OR GREEN) IS LIGHTED WHEN OUTPUT IS ON-STATE					RED LED IS LIGHTED WHEN OUTPUT IS ON-STATE	
SETTING RANGE INDICATION	GREEN LED IS LIGHTED WHEN TARGET IS IN STABLE OPERATING RANGE						
INSERTION & PULLING FORCE OF CONNECTOR *1	0.4~4N (0.04~0.4kgf) (PER CONTACT)						
INSERTION & PULLING CYCLE OF CONNECTOR *1	50 TIMES min.						
CIRCUIT PROTECTION	SHORT CURRENT PROTECTION AND WRONG WIRING PROTECTION						
EMC	ENV50140:1993	LEVEL 3		LEVEL 2			
	ENV50204:1995	LEVEL 3		LEVEL 3			
	ENV50141:1993	LEVEL 3		LEVEL 3			
	EN61000-4-2:1995	LEVEL 3		LEVEL 3			
	EN61000-4-8:1995	LEVEL 4		LEVEL 4			
	EN61000-4-4:1995	LEVEL 3		LEVEL 3			
	IEC255-5:1977	LEVEL 2		LEVEL 2			

*1 :THESE ITEM SATISFY IN CASE OF USING OUR CONNECTOR. (PA5 SERIES)

3. CONNECTION DIAGRAM

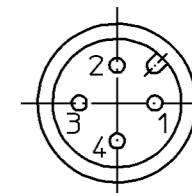


FL7M-*J6(H)WT-CN(05)



FL7M-10K6WET-CN

CONTACT LAYOUT



作成DR. K. I. 9-19 '90	検図CHK. S. S. 9-19 '90	認可APPD Y. K. 9-19 '90	日付DATE	形番 MODEL FL7M-*J/K6(H)WT-CN(05)	名称 NAME PROXIMITY SWITCH	図番 NO. AD40455E	改番REV. 06	4/4
----------------------------	-----------------------------	-----------------------------	--------	---------------------------------------	--------------------------------	-----------------------	--------------	-----

06	~	~	~
01	~	~	~
改番 REV.	来歴 RECORD	: 日付 DATE	担当 BY
			検閱 APPD.

SP.NO.

Yamatake Corporation

製品仕様書
SPECIFICATIONS

“RESTRICTIONS ON USE”

This product has been designed, developed and manufactured for general-purpose application in machinery and equipment.

Accordingly, when used in applications outlined below, special care should be taken to implement a fail-safe and/or redundant design concept as well as a periodic maintenance program.

- Safety devices for plant worker protection
- Start/stop control devices for transportation and material handling machines
- Aeronautical/aerospace machines
- Control devices for nuclear reactors

Never use this product in applications where human safety may be put at risk.

1	00	00	First issue	12-2-02	Harada	Miura
頁	改番	改番	来歴	日付	担当	検閲
		REV.	RECORD	DATE	BY	APPD.