

L404A,B,F

Pressuretrol Controllers

The L404A, B, F sense pressure changes and activate internal switches, resulting in ON/OFF action of the electric circuit.

The controllers make and break the solenoid valves or electric motor valves, and are used for pressure control involving fluids, air or steam, and as a limit control or alarm switch.



Specifications

Case	Rolled steel plate
Ambient temperature	-37 to +65°C (-20 to +65°C for L404F)
Weight	900g
Mounting	R 1/4 (PT 1/4), Rc 1/4 (PT 1/4)

Selection Guide

(See below table)

Model No.	Pressure setting range (kPa)	Midscale differential (adjustable)		Maximum allowable pressure (kPa)	Switch action
		min. kPa	max. kPa		
L404A200	0 to 100	10	40	160	L404A (Mercury switch)
L404B200					OFF on pressure rise
L404F200					(SPST contacts)
L404A204	0 to 350	20	80	600	L404B (Mercury switch)
L404B204					ON on pressure rise
L404F204					(SPST contacts)
L404A208	35 to 1000	40	110	1600	L404F (Microswitch)
L404B208					On pressure rise;
L404F208					OFF between (R) - (B)
L404A212	70 to 2000	100	300	2500	contacts ON between (R) - (V) contacts
L404B212					(SPDT) contacts
L404F212					
J-14026	Siphone loop (separate order)				
188050A	Mounting bracket (3 M4 and 3 M5 screws attached) (separate order)				

Contact Ratings

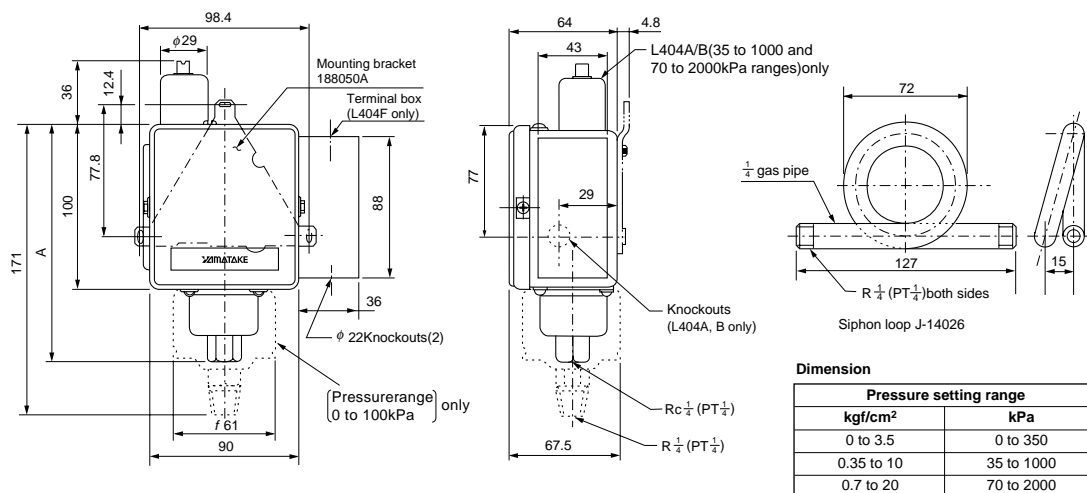
Load	120Vac	240Vac	120Vdc	240Vdc
Full load	8.0A	5.1A	2.4A	1.2A*
Locked rotor	48.0A	30.6A	24.0A	12.0A*
Resistive load				
L404A, B only	10.0A	5.0A	5.0A	2.0A
Resistive load				
L404R only	20.0A	20.0A	0.2A	0.1A

* L404A/B only

Sensing Element Material

Pressure Setting Range (kPa)	Bellows	Pipe connection
0 to 100	Phosphorous bronze	Sulfur free-cutting steel
0 to 350		Free-cutting brass
35 to 1000		
70 to 2000		

Dimensions (unit:mm)



Pressure setting range		A
kgf/cm ²	kPa	
0 to 3.5	0 to 350	143
0.35 to 10	35 to 1000	143
0.7 to 20	70 to 2000	140