

SP. No.

CATALOG LISTING

PA5 - [1] [2] [3] [4] [5] K

↳ CONTACT: GOLD PLATED

[1] NUMBER OF CABLE LEADS

CODE	NUMBER OF CABLE LEADS
2	2 LEAD
4	4 LEAD

[2] POWER SOURCE

CODE	POWER SOURCE
J	A C
I	D C

[3] SHAPE OF PLUG (REFER TO NOTE 1-2)

CODE	SHAPE OF PLUG
S X	STRAIGHT PLUG F
L X	ANGLED PLUG F
B X	STRAIGHT PLUG WITH EXTERNAL SCREW LOCK RING M
N X	ANGLED PLUG WITH EXTERNAL SCREW LOCK RING M
S B	STRAIGHT PLUG F STRAIGHT PLUG WITH EXTERNAL SCREW LOCK RING M
S N	STRAIGHT PLUG F ANGLED PLUG WITH EXTERNAL SCREW LOCK RING M
L B	ANGLED PLUG F STRAIGHT PLUG WITH EXTERNAL SCREW LOCK RING M
L N	ANGLED PLUG F ANGLED PLUG WITH EXTERNAL SCREW LOCK RING M

[4] CABLE LENGTH (REFER TO NOTE 3)

CODE	CABLE LENGTH (L) REFER TO PAGE 5/6
03	30 cm
05	50 cm
1	1 m
2	2 m
3	3 m
5	5 m

[5] CABLE SPECIFICATION

CODE	CABLE TYPE	NOMINAL SECTIONAL AREA (mm <sup>2</sup> )	No. OF WIRES AND DIAMETER	O. D. (mm)	OUTER COLOR
H	OIL RESISTANCE TYPE VINYL INSULATED CORD	0.5	20/0.18	φ6.0	GRAY
M	OIL/BENDING RESISTANCE TYPE VINYL INSULATED CORD UL Style 2464	0.5	108/0.08	φ6.1	GRAY

NOTES 1. PLUG "F" MEANS FEMALE PLUG AND PLUG "M" IS MALE PLUG.  
2. CODES SB, SN, LB OR LN ARE FOR 4-LEAD CABLE ONLY.  
3. CODES 03 OR 05 ARE FOR PLUG SHAPES BX ONLY.

6 06  
5 07  
4 06  
3 06  
2 08  
頁改番  
PAGE REV.

08	JE004-1354	10,21,'04	HARADA	MATSUNO	作成DR. SHIMIZU 10,13,'97		尺度SCALE	記入のない公差 TOL. UNLESS NOTED
07	JE003-1286	5,23,'03	HARADA	SAITO	検図CHK. SUDO 10,16,'97	形番 MODEL	PA5-*****K	~
06	JE099-1368	9,30,'99	TATSUHARA	SUDO	認可APPD S.ANDO 10,16,'97	名称 NAME	CABLE PLUG	
04	JE097-1446	10,13,'97	SHIMIZU	SUDO	日付DATE 10,16,'97	図番 NO.	AD50541E	改番REV. 08
改番 REV.	来歴 RECORD	: 日付 DATE	担当 BY	検閲 APPD.				1/6

SP. No.

# Yamatake Corporation

## 製品仕様書 SPECIFICATIONS

### 1. STANDARDS

- Conform to;        ~
- Approved by;    ~

### 2. STRUCTURE

- Number of poles;            4
- Type of Contact;            Pin/socket
- Connection;                 M12x1
- Contact material;          $\triangle$  Copper alloy, Gold plated
- Pin-leadwire connection;   Solderless
- Protective Structure;        IP67 (IEC 60529)  $\triangle$

### 3. ELECTRICAL CHARACTERISTICS

- Electrical data,              AC Type : 3A-250VAC  
                                      DC Type : 3A-125VDC  
                                      (Use within range not exceeding rating of limit switch.)
- Insulation Resistance and Dielectric Strength;

Portions to be measured	Insulation Resistance (500VDC megger)	Dielectric Strength (50~60Hz, for 1 minute)
Between unconnected terminals	100 M $\Omega$ min. $\triangle$	1500 VAC
Between each terminal and non-live metal part	100 M $\Omega$ min. $\triangle$	1500 VAC


- Initial contact resistance; 40 m $\Omega$  max.  
                                      (When 3 A is applied with male and female connectors connected.  
                                      Except specific resistance of cable.)

### 4. MECHANICAL CHARACTERISTICS

- Shock; 300 m/s<sup>2</sup>  $\triangle$
- Vibration; Peak-to-peak amplitude 1.5 mm Vibration frequency 10 to 55 Hz For continuous 2 hours.  
                                      Non-continuity shall be less than 1ms with fixed with cupring.
- Connector insertion/removal force; 0.4 to 4.0 N (per pin)  $\triangle$
- Insertion/removal durability;    50 cycles min.
- Pull strength of cable;            100 N min.  $\triangle$
- Fastening strength of cupring;    0.8 N·m min.  $\triangle$

### 5. ENVIRONMENTAL CHARACTERISTICS

- Operating Temperature,        -10 °C to +70 °C (at no freezing or dewing)
- Storage temperature;         -20 °C to +80 °C
- Operating Humidity;            95 %RH max.

						作成DR. SHIMIZU 10.13.'97		尺度 SCALE UN	記入のない公差 TOL. UNLESS NOTED ~
08	UNIFIED	10,21,'04	HARADA	MATSUNO	検図CHK. SUDO 10,16,'97	形 番 MODEL	PA5-*****K		
06	SI (MKS) → SI	9,30,'99	TATSUHARA	SUDO	認可 APPD S.ANDO 10,16,'97	名 称 NAME	CABLE PLUG		
04	Brass	10, 13, '97	SHIMIZU	SUDO	日付 DATE 10,16,'97	図 番 NO.	AD50541E	改番REV. 08	2/6
頁 PAGE	改番 REV.	改番 REV.	来歴 RECORD	: 日付 DATE	担当 BY	検閲 APPD.			

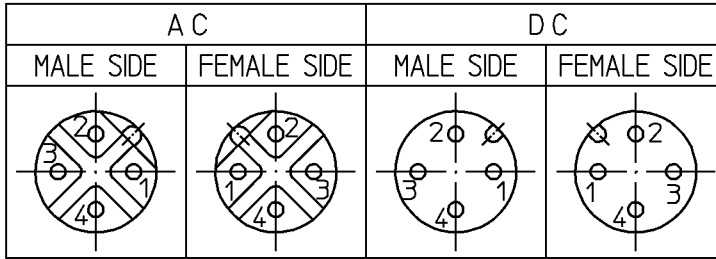


SP. No.

# Yamatake Corporation

## 製品仕様書 SPECIFICATIONS

### SHAPE OF FITTING AND PIN ARRANGEMENT

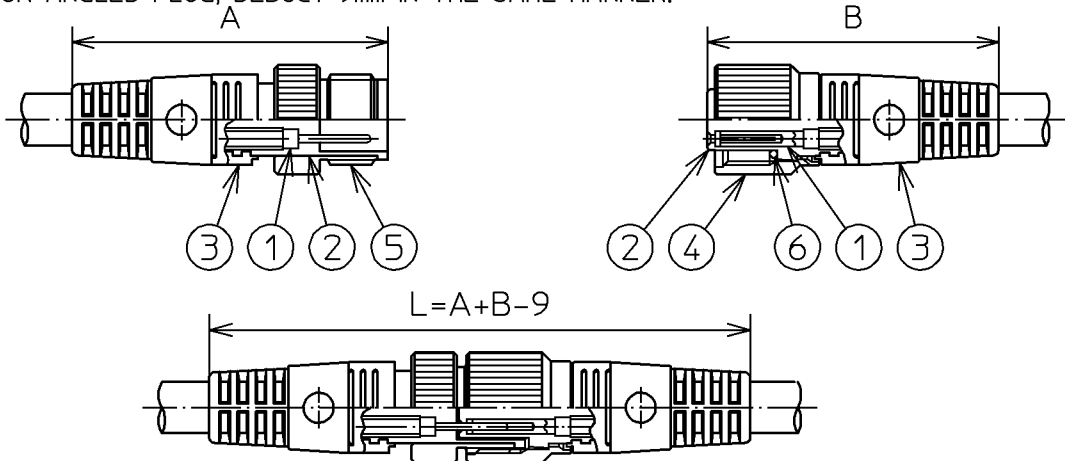


### PIN NO. AND CABLE LEAD COLOR

PIN NO.	CABLE LEAD	
	4-LEAD	2-LEAD
1	BROWN	BROWN
2	WHITE	
3	BLUE	
4	BLACK	BLUE

### CONNECTED DIMENSION

DIMENSION AFTER TWO PLUGS ARE CONNECTED IS TOTAL OF EACH PLUG DIMENSION MINUS 9mm.  
FOR ANGLED PLUG, DEDUCT 9mm IN THE SAME MANNER.



No.	DESCRIPTION	MATERIAL
1	CONTACT	MALE : BRASS, GOLD PLATED FEMALE : PHOSPHOR BRONZE, GOLD PLATED
2	CONTACT HOLDER	GLASS FILLED POLYESTER RESIN BLACK
3	HOUSING	POLYESTER ELASTOMER LIGHT GRAY
4	CUPRING	BRASS DC : NICKEL PLATED, AC:ORANGE PAINT
5	EXFERNAL SCREW LOCKRING	BRASS DC : NICKEL PLATED, AC:ORANGE PAINT
6	O-RING	NITRILE BUTADIENE RUBBER

△

△  
△  
△

作成DR. SHIMIZU 10, 13, '97		尺度 SCALE UN	記入のない公差 TOL. UNLESS NOTED ~
検図CHK. SUDO 10,16,'97	形番 MODEL	PA5-*****K	
認可APPD. S.ANDO 10,16,'97	名称 NAME	CABLE PLUG	
日付DATE 10,16,'97	図番 NO.	AD50541E	改番REV. 4/6

頁改番  
PAGE REV.

改番  
REV.

来歴  
RECORD

: 日付  
DATE

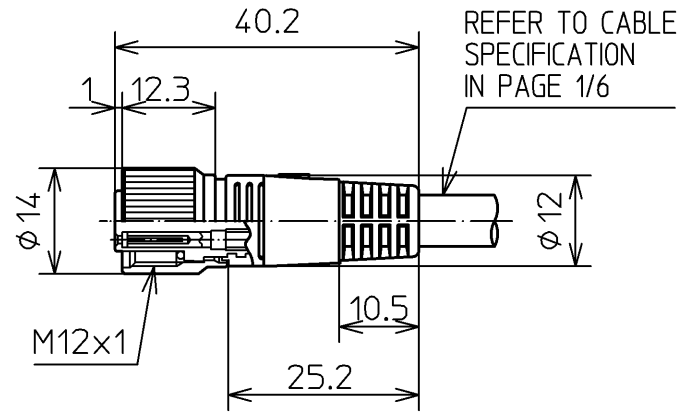
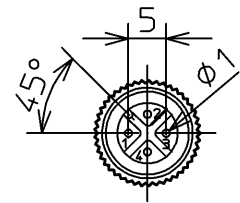
担当  
BY

検閲  
APPD.

EXTERNAL DIMENSION

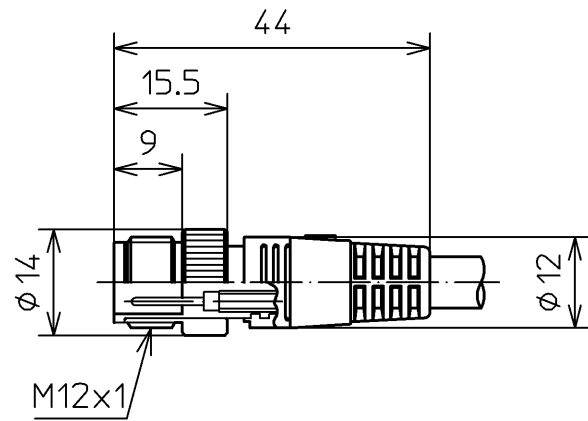
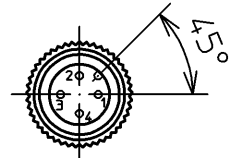
PA5-\*\*S\*\*\*\*K

(FEMALE)



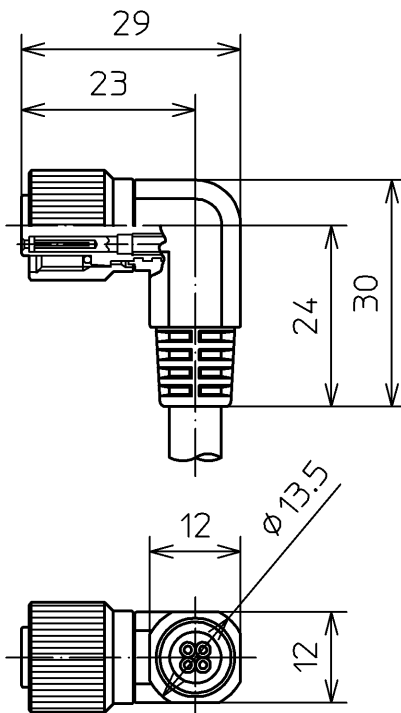
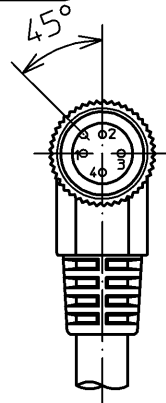
PA5-\*\*B\*\*\*\*K

(MALE)



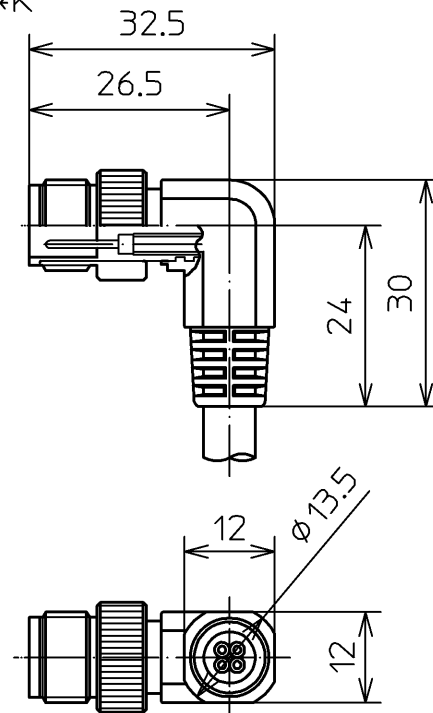
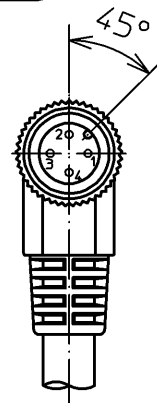
PA5-\*\*L\*\*\*\*K

(FEMALE)



PA5-\*\*N\*\*\*\*K

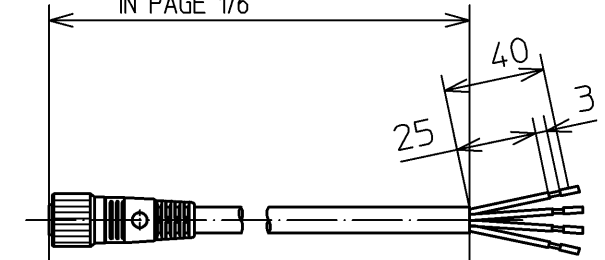
(MALE)



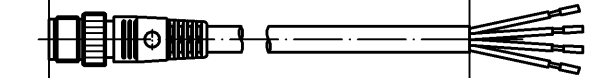
CABLE LENGTH

$L + \frac{5\%}{0}$   
REFER TO CABLE LENGTH  
IN PAGE 1/6

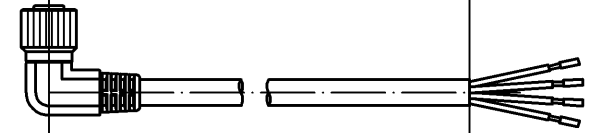
PA5-\*\*SX\*\*\*\*K



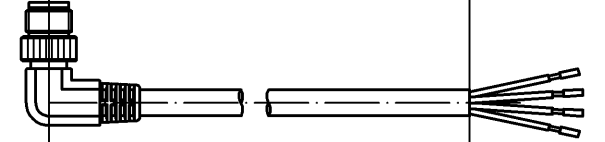
PA5-\*\*BX\*\*\*\*K



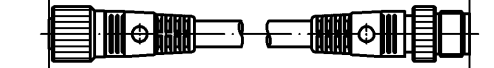
PA5-\*\*LX\*\*\*\*K



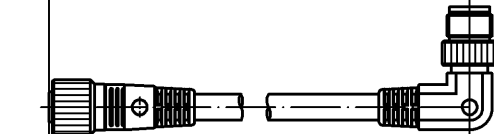
PA5-\*\*NX\*\*\*\*K



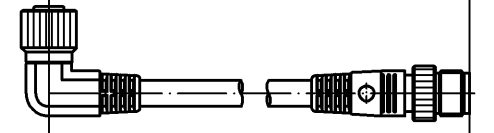
PA5-\*\*SB\*\*\*\*K



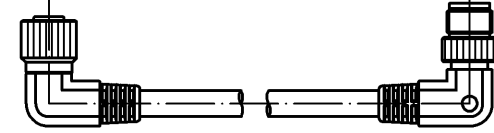
PA5-\*\*SN\*\*\*\*K



PA5-\*\*LB\*\*\*\*K



PA5-\*\*LN\*\*\*\*K



07	~	5,23,'03	HARADA	SAITO
06	~	9,30,'99	TATSUHARA	SUDO
04	~	10, 13, '97	SHIMIZU	SUDO
改番 REV.	来歴 RECORD	: 日付 DATE	担当 BY	検閲 APPD.

作成DR. SHIMIZU 10, 13, '97	検図CHK. SUDO 10,16,'97	認可APPD S.ANDO 10,16,'97	日付DATE 10,16,'97	形番 MODEL PA5-*****K	名称 NAME CABLE PLUG	図番 NO. AD50541E	改番REV. 07	5/6
尺度SCALE 1:1		記入のない公差TOL. UNLESS NOTED ±0.8 ANGLES ±5°						

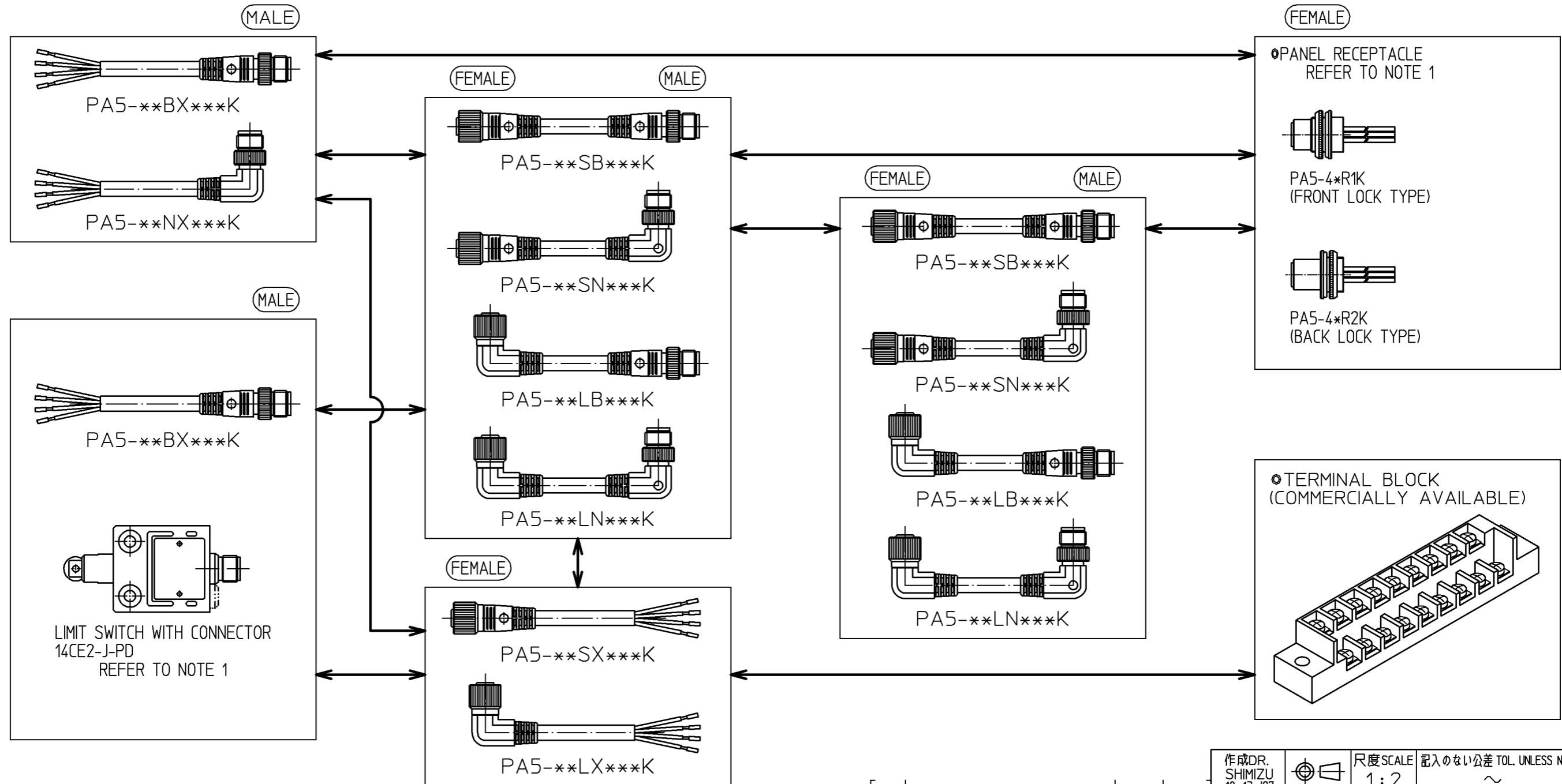
COMPOSITION

SENSOR SIDE

SENSORS AND ACTUATORS SUCH AS PROXIMITY SENSOR, PHOTOELECTRIC SENSOR, LIMIT SWITCH AND SOLENOID VALVE.

JUNCTION CABLE PLUG

JUNCTION BOX OR PANEL



NOTE 1. FOR LIMIT SWITCH WITH CONNECTOR AND PANEL RECEPTACLE, REFER TO SUCH SPECIFICATION SHEET.

作成DR. SHIMIZU 10, 13, '97	検図CHK. SUDO 10, 16, '97	認可APPD S.ANDO 10, 16, '97	日付DATE 10, 16, '97	尺度SCALE 1:2	記入のない公差 TOL. UNLESS NOTED ~
06	~	9, 30, '99	TATSUHARA	SUDO	形番 MODEL PA5-*****K
04	~	10, 13, '97	SHIMIZU	SUDO	
改番 REV.	来歴 RECORD	: 日付 DATE	担当 BY	検閲 APPD.	名称 NAME CABLE PLUG
					図番 NO. AD50541E
					改番REV. 06/6

SP.NO.

**Yamatake Corporation**

製品仕様書  
**SPECIFICATIONS**

“RESTRICTIONS ON USE”

This product has been designed, developed and manufactured for general-purpose application in machinery and equipment.

Accordingly, when used in applications outlined below, special care should be taken to implement a fail-safe and/or redundant design concept as well as a periodic maintenance program.

- Safety devices for plant worker protection
- Start/stop control devices for transportation and material handling machines
- Aeronautical/aerospace machines
- Control devices for nuclear reactors

Never use this product in applications where human safety may be put at risk.

1	00	00	First issue	12-2-02	Harada	Miura
頁	改番	改番	来歴	日付	担当	検閲
	REV.	REV.	RECORD	DATE	BY	APPD.