

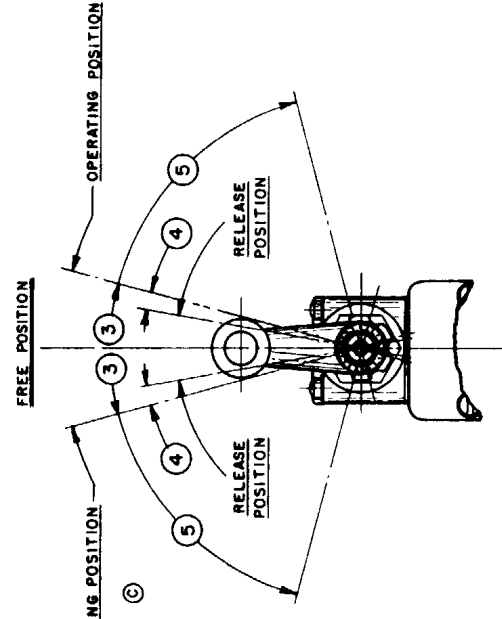
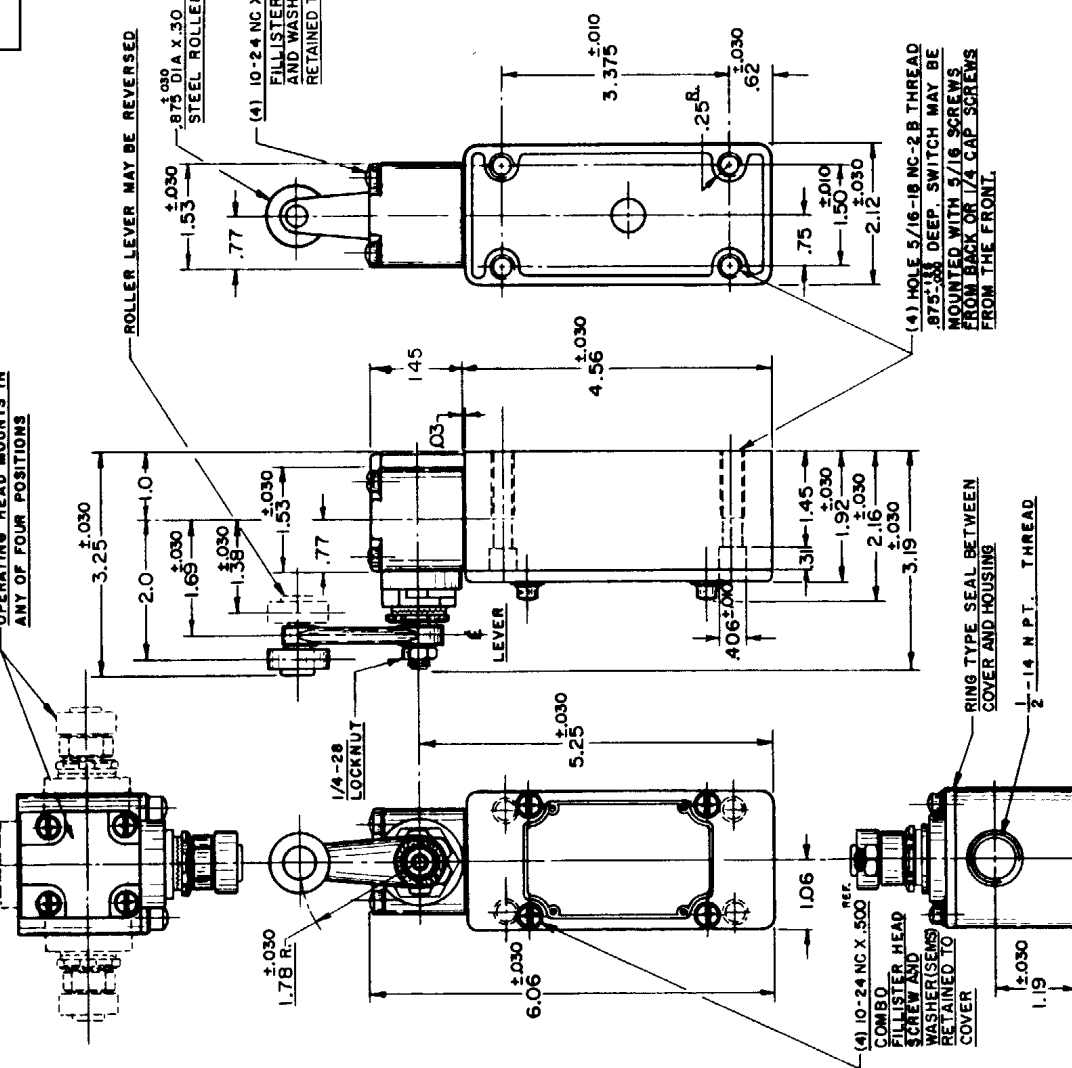
MICRO SWITCH
 FED. MFR. CODE 91929

SWITCH - ENCLOSED

CATALOG LISTING
151ML1

THIS DRAWING COVERS A PROPRIETARY ITEM AND IS THE PROPERTY OF MICRO SWITCH A DIVISION OF HONEYWELL THIS DRAWING IS NOT TO BE COPIED OR USED WITHOUT THE APPROVAL OF MICRO SWITCH

ITEM CODE: MS507010082



NOTES

- IT IS ESSENTIAL TO PREVENT ENTRANCE OF HARMFUL AGENTS THRU THE CONDUIT OPENING TO OBTAIN THE FULL BENEFIT OF THE SEALED CONSTRUCTION PROVIDED IN THIS UNIT
- SWITCH IS ASSEMBLED FOR ACTUATION IN EITHER DIRECTION
- LEVER MAY BE POSITIVELY LOCKED AT INTERVALS OF APPROX 0.4° (870 POSITIONS)
- LEVER MAY BE ADJUSTED TO ACTUATE THE SWITCH IN THE CLOCKWISE DIRECTION ONLY, THE COUNTER-CLOCKWISE DIRECTION ONLY, OR IN BOTH DIRECTIONS
- TO CONVERT SWITCH FOR ACTUATION IN EITHER CLOCKWISE OR COUNTER-CLOCKWISE DIRECTION ONLY, REMOVE THE HEAD AND SLIDE THE CAM TOWARD THE REAR OF THE HEAD SUFFICIENTLY TO DISENGAGE FROM THE FLATS ON THE SHAFT. ROTATE THE CAM 90° IN THE OPPOSITE DIRECTION OF THE ACTUATION DESIRED AND RE-ENGAGE THE CAM WITH THE FLATS ON THE SHAFT

CHARACTERISTICS		ELECTRICAL DATA (MINI)		SCALE 1/2 TO 1	
OPERATING FORCE	3 LBS. MAX.	CONTACT ARRANGEMENT	TWO CIRCUIT DOUBLE THROW	DO NOT SCALE PRINT	UNLESS OTHERWISE SPECIFIED
FULL OVERTRAVEL FORCE	4 LBS. MAX.	CONTACT ARRANGEMENT	TWO CIRCUIT DOUBLE THROW	UNLESS OTHERWISE SPECIFIED	DIMENSIONS ARE IN INCHES
RELEASE FORCE	1/4 LB. MIN.	OPERATING FORCE	10 A-120, 240, 480, OR 800 VAC	UNLESS OTHERWISE SPECIFIED	TOLERANCES ARE:
PRETRAVEL	3-150 MAX.	OPERATING FORCE	1/2 HP-120 VAC, 1 HP-240 VAC	UNLESS OTHERWISE SPECIFIED	ONE PLACE (0)
DIFFERENTIAL TRAVEL	4-70 MAX.	OPERATING FORCE	0.8 A-115 VDC, 0.4 A-230 VDC	UNLESS OTHERWISE SPECIFIED	TWO PLACES (0.01)
OVERTRAVEL	5-600 MIN.	OPERATING FORCE	PILOT DUTY 600 VAC MAX	UNLESS OTHERWISE SPECIFIED	THREE PLACES (0.001)
SWITCH-BASIC REPLACEMENT	MINI	OPERATING FORCE	PILOT DUTY 600 VAC MAX	UNLESS OTHERWISE SPECIFIED	FOUR PLACES (0.0001)

REVISIONS	ISSUE	DRAWING NUMBER	RELEASE NO.	RELEASE DATE	CHECK	DATE	BY	DATE	BY
A 01/24/58	1	151ML1	58	APR 58	K.F.M.	APR 58			
B 02/19/58	2								
C 03/10/58	3								
D 03/20/58	4								
E 03/26/58	5								
F 03/26/58	6								
G 03/26/58	7								
H 03/26/58	8								
I 03/26/58	9								
J 03/26/58	10								
K 03/26/58	11								
L 03/26/58	12								
M 03/26/58	13								
N 03/26/58	14								
O 03/26/58	15								
P 03/26/58	16								
Q 03/26/58	17								
R 03/26/58	18								
S 03/26/58	19								
T 03/26/58	20								
U 03/26/58	21								
V 03/26/58	22								
W 03/26/58	23								
X 03/26/58	24								
Y 03/26/58	25								
Z 03/26/58	26								