

SP. No.

Yamatake Corporation

製品仕様書 SPECIFICATIONS

CATALOG LISTING

1 L X 7 0 0 1 - 2 3 4

1 ACTUATOR TYPE

Code	Actuator type
1	Standard roller lever
2	Without lever
3	Adjustable. roller lever

2 CONDUIT

Code	Conduit
J	Increased safety thread joint steel conduit type
R	Increased safety packing connector type

3 CONTACT MATERIAL AND ELECTRICAL RATING

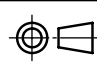
Code	Contact material	Electrical rating
~	Silver	5A-250VAC 0.8A-125VDC 0.4A-250VDC
K	Gold plated	0.1A-125VAC 0.1A-30VDC

4 ENVIRONMENT

Code	Seal material	Roller			Remarks
		Material	dia.	wide	
~	Silicone rubber	Nylon	17.4	6.4	~
H	Silicone rubber	Brass	17.4	7.1	For tropics
L	Silicone rubber	Nylon	17.4	6.4	For cold district

6 00
5 01
4 01
3 00
2 00
改番
REV.

01	ECOP09-2299	12.22,'09	K.IURAKI	SATO
00	ECOP09-1021	7.25,'09	SATO	H.SASAKI
改番 REV.	来歴 RECORD	: 日付 DATE	担当 BY	検閲 APPD.

作成DR. SATO 7.25,'09		尺度 SCALE CIP	記入のない公差 TOL. UNLESS NOTED ~
検図CHK. H.SASAKI 7.25,'09	形番 MODEL	1LX700*-***	
認可 APPD SUDO 7.25,'09	名称 NAME	EXPLOSION PROOF SWITCH	
日付 DATE 7.25,'09	図番 NO.	AD15804E	改番 REV. 1/6 01

SP. No.

Yamatake Corporation

製品仕様書 SPECIFICATIONS

1. STANDARDS

- Conform to: **NECA C 4508**
- Approved by: **Explosion-protected electrical apparatus**
The Technology Institution of Industrial Safety
Explosion-proof structure: Ex d e IIC T6
Approved No. TC18776
NK certification
Type test No. 09T608
- Hazardous area classification : Zone 1

2. STRUCTURE


- Type of contact: **Two-circuit double-break**
- Protective structure: **IP67 (IEC 60529)**
(JIS C 0920)
- Shape of terminal: **Screw (M4 pan head screw with square washer)**
- Shape of contact: **Rivet**

3. ELECTRICAL CHARACTERISTICS

- Insulation resistance and dielectric strength:

Property Parts measured	Insulation resistance (with 500Vdc megger)	Dielectric strength (50/60Hz, for 1 minute)
Between terminals of same polarities	100 MΩ min.	600 Vac
Between each terminal and non-live metal part	100 MΩ min.	2000 Vac
Between each terminal and earth	100 MΩ min.	2000 Vac

- Contact resistance
 - Silver contacts: **50 mΩ max. (initial)** Measured by the voltage drop method at 6 to 8 Vdc 1A.
 - Gold plated contacts: **100 mΩ max. (initial)** Measured by the voltage drop method at 6 to 8 Vdc 0.1A.
- Minimum contact operating current
 - Silver contacts: **10mA-24V、20mA-12V**
 - Gold plated contacts: **10mA- 5V**

作成DR. SATO 7.25.'09		尺度 SCALE UN	記入のない公差 TOL. UNLESS NOTED ~
検図CHK. H.SASAKI 7.25.'09	形番 MODEL	1LX700*-***	
認可APPD SUDO 7.25.'09	名称 NAME	EXPLOSION PROOF SWITCH	
日付 DATE 7.25.'09	図番 NO.	AD15804E	改番REV. 00 / 2 / 6

頁	改番	改番 REV.	来歴 RECORD	:	日付 DATE	担当 BY	検閲 APPD.
---	----	---------	-----------	---	---------	-------	----------

SP. No.

Yamatake Corporation

製品仕様書 SPECIFICATIONS

4. MECHANICAL CHARACTERISTICS (Value at 38.1mm long lever)

- Actuator strength: Withstands **5** times as high as O.F. in the operating direction for 1 minute.
- Terminal strength: Withstands **1.5N · m** tightening torque applied for 1 minute.
- Shock: At **200 m/s²**, contact misoperation shall be 1ms max. in the free position and in the total travel position.
- Vibration: With a vibration of peak-to-peak amplitude of 1.5mm and frequency of 10 to 55Hz for 2 continuous hours, misoperation of the contact shall be 1ms max. in the free position and total travel position.
- Allowable operating speed: **1.0 mm/s** to **0.5 m/s**
 At the lowest speed, contact instability shall be 0.1s max.
 At the highest speed, the actuator shall not be damaged.
- Mechanical operating frequency: Standard type **120** cycles/minute max.
 H, L type **60** cycles/minute max.


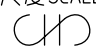
5. LIFE

- Mechanical life: At 70 to 100% of the rated O.T.
 1LX700*-*

~	}	4000 k cycles min.
K		
H	}	1000 k cycles min.
KH		
L		
KL		
- Electrical life: Operating frequency of 20 cycles/minute max.

Contact material	Condition	Operation cycle
Silver	5A-250 Vac 0.8A-125 Vdc 0.4A-250 Vdc	200k cycles min.
	(1A-250 Vac) (0.2A-125 Vdc) (0.1A-250 Vdc)	(500k cycles min.)
Gold plated	0.1A-125 Vac 0.1A- 30 Vdc	2000k cycles min.

Operation cycles of H type and L type with gold plated contacts are 1000K cycles min.

作成DR. SATO 7.25.'09		尺度 SCALE 	記入のない公差 TOL. UNLESS NOTED ~
検図CHK. H.SASAKI 7.25.'09	形番 MODEL	1LX700*-* ***	
認可APPD SUDO 7.25.'09	名称 NAME	EXPLOSION PROOF SWITCH	
日付 DATE 7.25.'09	図番 NO.	AD15804E	改番REV. 00 / 3 / 6

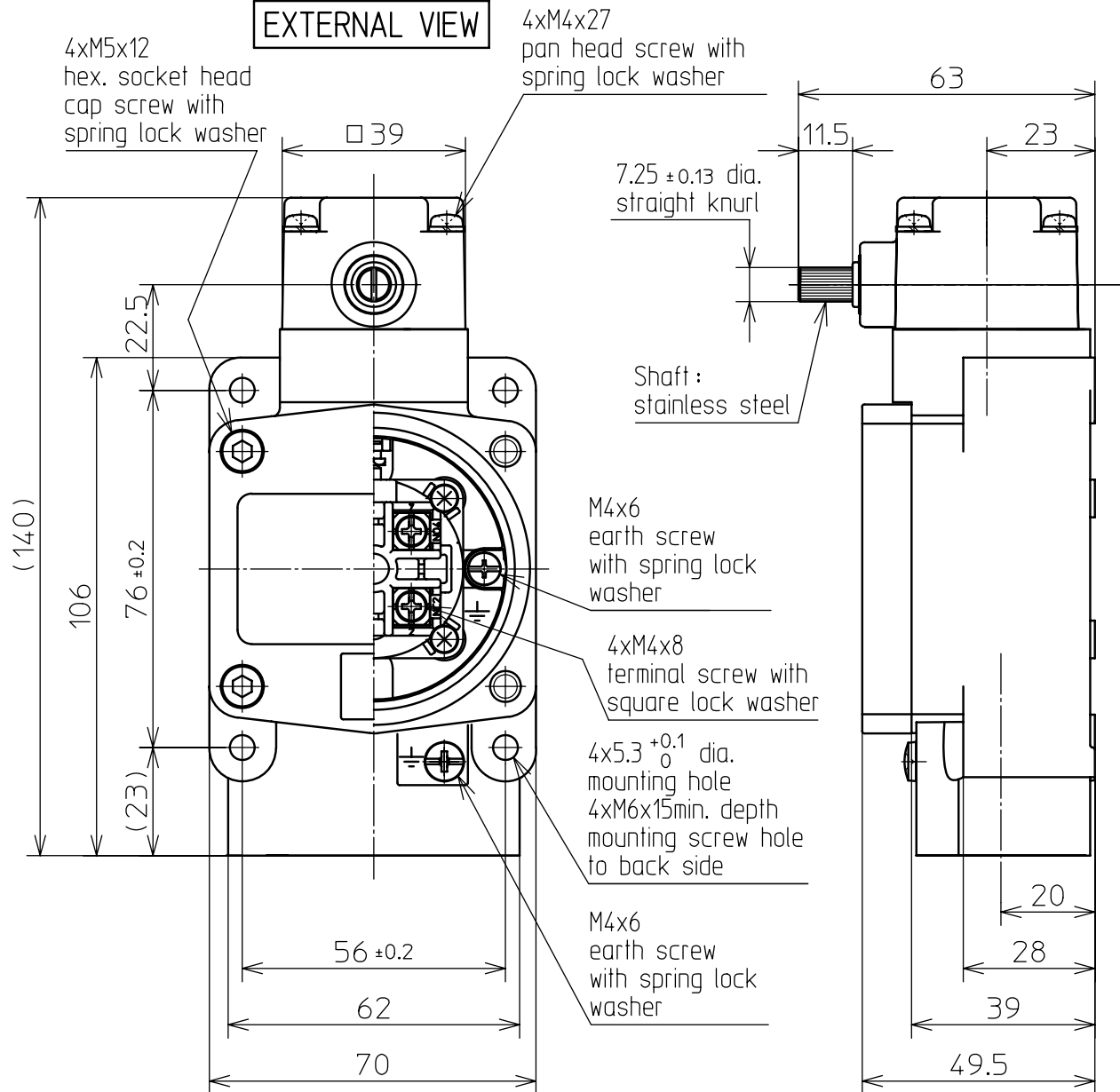
頁	改番	改番 REV.	来歴 RECORD	: 日付 DATE	担当 BY	検閲 APPD.
---	----	---------	-----------	-----------	-------	----------

SP. No.

Yamatake Corporation

製品仕様書
SPECIFICATIONS

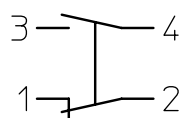
EXTERNAL VIEW



Characteristics

Operating force	12.8N max
Release force	1.1N min
Pretravel	15° max
Movement differential	7° max
Overtravel	55° min
Release travel	(5°)

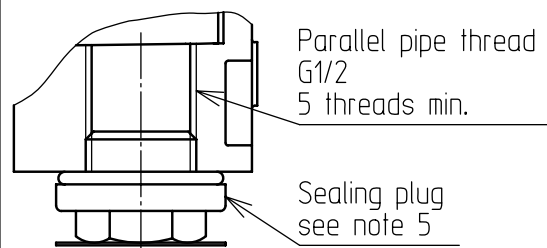
Circuit diagram



Conduit

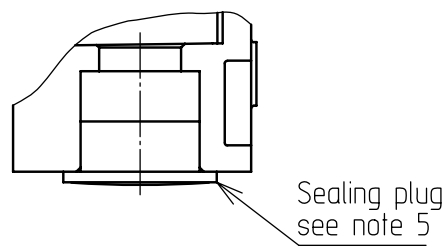
1LX700*-**J****

(Increased safety thread joint steel conduit type)

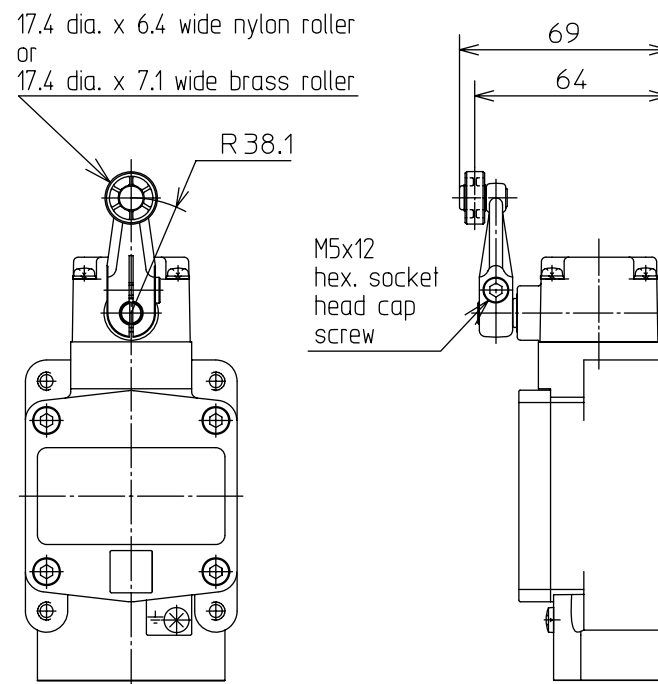


1LX700*-**R****

(Increased safety packing connector type)

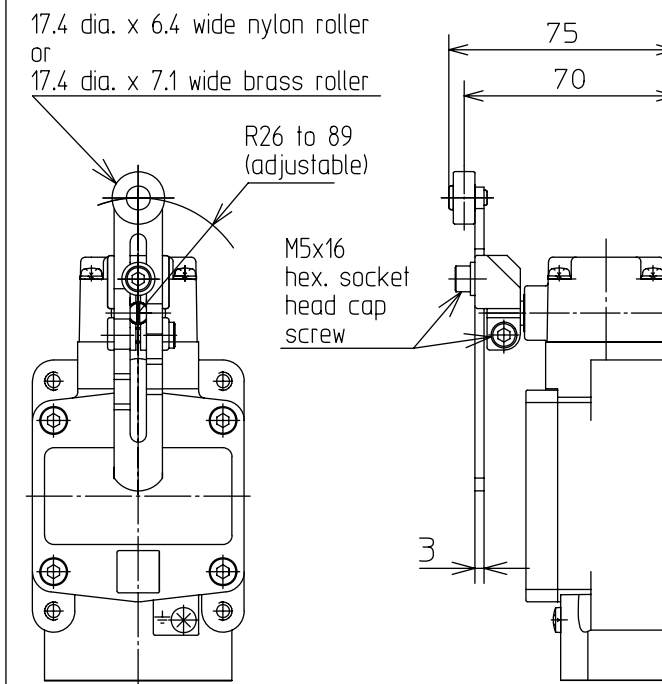


1LX700 **1** -***

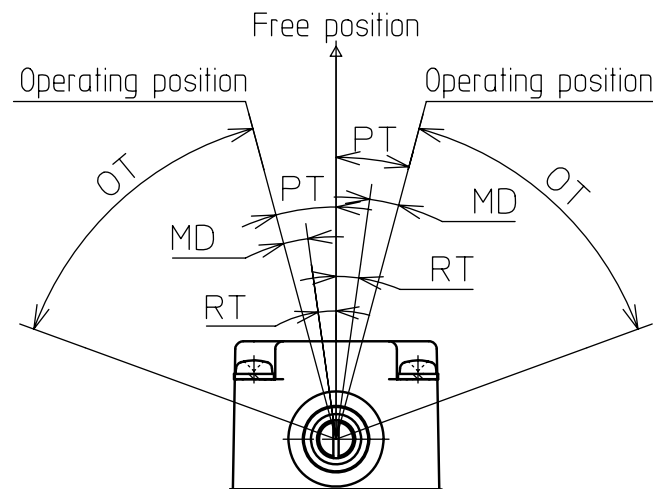


Note: This drawing shows the shape of nylon roller. The shape of brass roller is shown in the right drawing of 1LX7003-***.

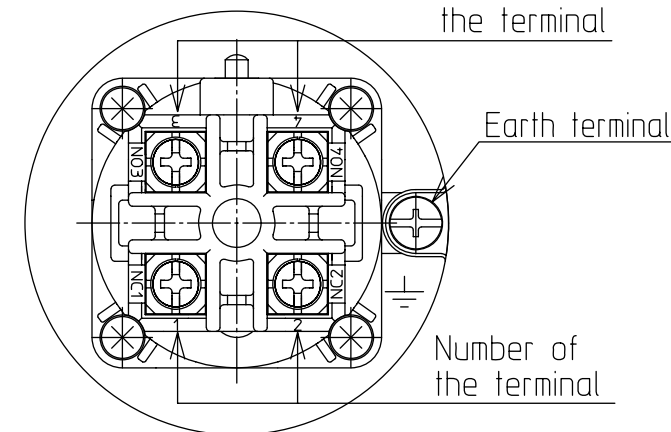
1LX700 **3** -***



Note: This drawing shows the shape of brass roller. The shape of nylon roller is shown in the left drawing of 1LX7001-***.



Terminal details



- Notes
1. This switch actuates in either direction.
 2. In the mechanical characteristics "OF" and "RF" are the characteristics at 38.1mm lever length.
 3. Housing, cover and head are made of aluminum alloy and finished with gray paint.
 4. External screws are made of stainless steel.
 5. Do not remove the plug until the wiring work.
 6. Do not use wire insulated with silicone rubber. Doing so might result in contact failure.
 7. As explosion-proof connector is not attached to switch, select and order separately 2PA-JEX1**L series (protective tube size G1/2) or 2PA-JEX2**L series (protective tube size G3/4).

作成DR. SATO 7.25.09	検図CHK. H.SASAKI 7.25.09	認可APPD SUDO 7.25.09	日付DATE 7.25.09	改番REV.	来歴 RECORD	: 日付 DATE	担当 BY	検閲 APPD.	尺度SCALE UN	記入のない公差TOL. UNLESS NOTED ± 0.8	形番 MODEL 1LX700*-***	名称 NAME EXPLOSION PROOF SWITCH	図番 NO. AD15804E	改番REV. 00	6/6
--------------------------	-------------------------------	---------------------------	-------------------	--------	--------------	--------------	----------	-------------	---------------	-----------------------------------	----------------------------	--------------------------------------	-----------------------	--------------	-----

SP.NO.

Yamatake Corporation

製品仕様書
SPECIFICATIONS**Terms and Conditions**

We would like to express our appreciation for your purchase and use of Yamatake products.

You are required to acknowledge and agree upon the following terms and conditions for your purchase of Yamatake products (field instruments, control valves, and control products), unless otherwise stated in any separate document, including, without limitation, estimation sheets, written agreements, catalogs, specifications and instruction manuals.

1 Warranty period and warranty scope**1.1 Warranty period**

Yamatake products shall be warranted for one (1) year from the date of your purchase of the said products or the delivery of the said products to a place designated by you.

1.2 Warranty scope

In the event that Yamatake product has any failure attributable to Yamatake during the aforementioned warranty period, Yamatake shall, without charge, deliver a replacement for the said product to the place where you purchased, or repair the said product and deliver it to the aforementioned place.

Notwithstanding the foregoing, any failure falling under one of the following shall not be covered under this warranty:

- (1) Failure caused by your improper use of Yamatake product
(noncompliance with conditions, environment of use, precautions, etc. set forth in catalogs, specifications, instruction manuals, etc.);
- (2) Failure caused for other reasons than Yamatake product;
- (3) Failure caused by any modification or repair made by any person other than Yamatake or Yamatake's subcontractors;
- (4) Failure caused by your use of Yamatake product in a manner not conforming to the intended usage of that product;
- (5) Failure that the state-of-the-art at the time of Yamatake's shipment did not allow Yamatake to predict; or
- (6) Failure that arose from any reason not attributable to Yamatake, including, without limitation, acts of God, disasters, and actions taken by a third party.

Please note that the term "warranty" as used herein refers to equipment-only-warranty, and Yamatake shall not be liable for any damages, including direct, indirect, special, incidental or consequential damages in connection with or arising out of Yamatake products.

2 Ascertainment of suitability

You are required to ascertain the suitability of Yamatake product in case of your use of the same with your machinery, equipment, etc. (hereinafter referred to as "Equipment") on your own responsibility, taking the following matters into consideration:

- (1) Regulations and standards or laws that your Equipment is to comply with.
- (2) Examples of application described in any documents provided by Yamatake are for your reference purpose only, and you are required to check the functions and safety of your Equipment prior to your use.
- (3) Measures to be taken to secure the required level of the reliability and safety of your Equipment in your use

Although Yamatake is constantly making efforts to improve the quality and reliability of Yamatake products, there exists a possibility that parts and machinery may break down.

You are required to provide your Equipment with fool-proof design, fail-safe design, anti-flame propagation design, safety design, or the like so that the said Equipment may satisfy the level of the reliability and safety required in your use, whereby preventing any occurrence of physical injuries, fires, significant damage, and so forth.

3 Precautions and restrictions on application

Yamatake products other than those explicitly specified as applicable (e.g. Yamatake Limit Switch For Nuclear Energy) shall not be used in a nuclear energy controlled area (radiation controlled area).

Any Yamatake products shall not be used for/with medical equipment.

In addition,

you are required to conduct a consultation with our sales representative and understand detail specifications, cautions for operation, and so forth by reference to catalogs, specifications, instruction manual, etc. in case that you intend to use Yamatake product for any purposes specified in (1) through (6) below.

Moreover, you are required to provide your Equipment with fool-proof design, fail-safe design, anti-flame propagation design and other designs of protection/safety circuit on your own responsibility to ensure the reliability and safety, whereby preventing problems caused by failure or nonconformity.

- (1) For use under such conditions or in such environments as not stated in technical documents, including catalogs, specification, and instruction manuals
- (2) For use of specific purposes, such as:
 - * Nuclear energy/radiation related facilities
[For use outside nuclear energy controlled areas]
[For use of Yamatake Limit Switch For Nuclear Energy]
 - * Machinery or equipment for space/sea bottom
 - * Transportation equipment
[Railway, aircraft, vessels, vehicle equipment, etc.]
 - * Antidisaster/crime-prevention equipment
 - * Burning appliances
 - * Electrothermal equipment
 - * Amusement facilities

頁 改番

改番
REV.来歴
RECORD日付
DATE担当
BY検閲
APPD.

