

SP. No.
MR CP-381

Yamatake Corporation

製品仕様書
SPECIFICATIONS

CATALOG LISTING
1 L X 5 7 [1] - [2] [3]

[1] TYPE OF LEVER

CODE	TYPE OF LEVER
01	STANDARD LEVER
02	NO LEVER
03	ADJUSTABLE LEVER

[2] CONDUIT

CODE	CONDUIT
~	PARALLEL PIPE THREAD G1/2
C	METRIC FINE SCREW THREAD M20×1.5
D	DIN SCREW Pg13.5



[3] INTERNAL SWITCH

CODE	SWITCH
~	GENERAL USE SILVER CONTACT
K	GOLD PLATED CONTACT FOR LIGHT LOAD



CATALOG LISTINGS COVERED BY THIS DRAWING ARE AS IN THE BELOW TABLE.

CATALOG LISTING			ELECTRICAL RATING
1 L X 5 7 0 1	1 L X 5 7 0 1 - C	1 L X 5 7 0 1 - D	AC-11 2A-240V
1 L X 5 7 0 2	1 L X 5 7 0 2 - C	1 L X 5 7 0 2 - D	DC-11 0.2A-125V
1 L X 5 7 0 3	1 L X 5 7 0 3 - C	1 L X 5 7 0 3 - D	
1 L X 5 7 0 1 - K	1 L X 5 7 0 1 - CK	1 L X 5 7 0 1 - DK	5mA-24VAC
1 L X 5 7 0 2 - K	1 L X 5 7 0 2 - CK	1 L X 5 7 0 2 - DK	5mA-24VDC
1 L X 5 7 0 3 - K	1 L X 5 7 0 3 - CK	1 L X 5 7 0 3 - DK	

5 03
4 05
3 05
2 05
頁 改番

05	JE003-1290	5,28,'03	HARADA	ARAI
04	JE003-1254	3,19,'03	TATSUHARA	ARAI
03	JE003-1259	3,17,'03	TATSUHARA	ARAI
02	JE099-1434	12, 8,'99	TATSUHARA	ARAI
01	JE099-1319	7,30,'99	TATSUHARA	ARAI
改番 REV.	来歴 RECORD	: 日付 DATE	担当 BY	検閲 APPD.


作成DR. KOBAYASHI 9,10,'96		尺度 SCALE CH	記入のない公差 TOL. UNLESS NOTED ~
検図CHK. ANDO 9,10,'96	形番 MODEL	1LX57**-**	
認可APPD. ANDO 9,10,'96	名称 NAME	EXPLOSION PROOF SWITCH	
日付DATE 9,10,'96	図番 NO.	AD52685E	改番REV. 1/5

S.P. No.


MR CP-381


Yamatake Corporation

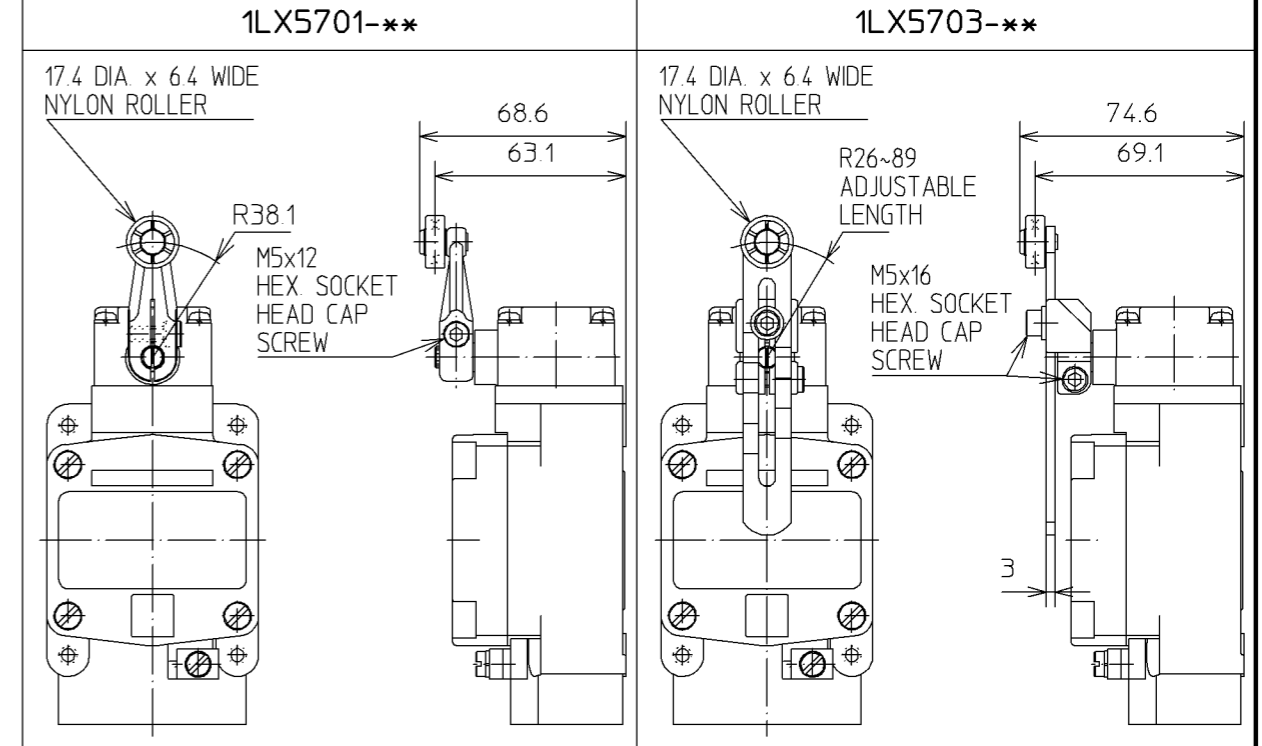
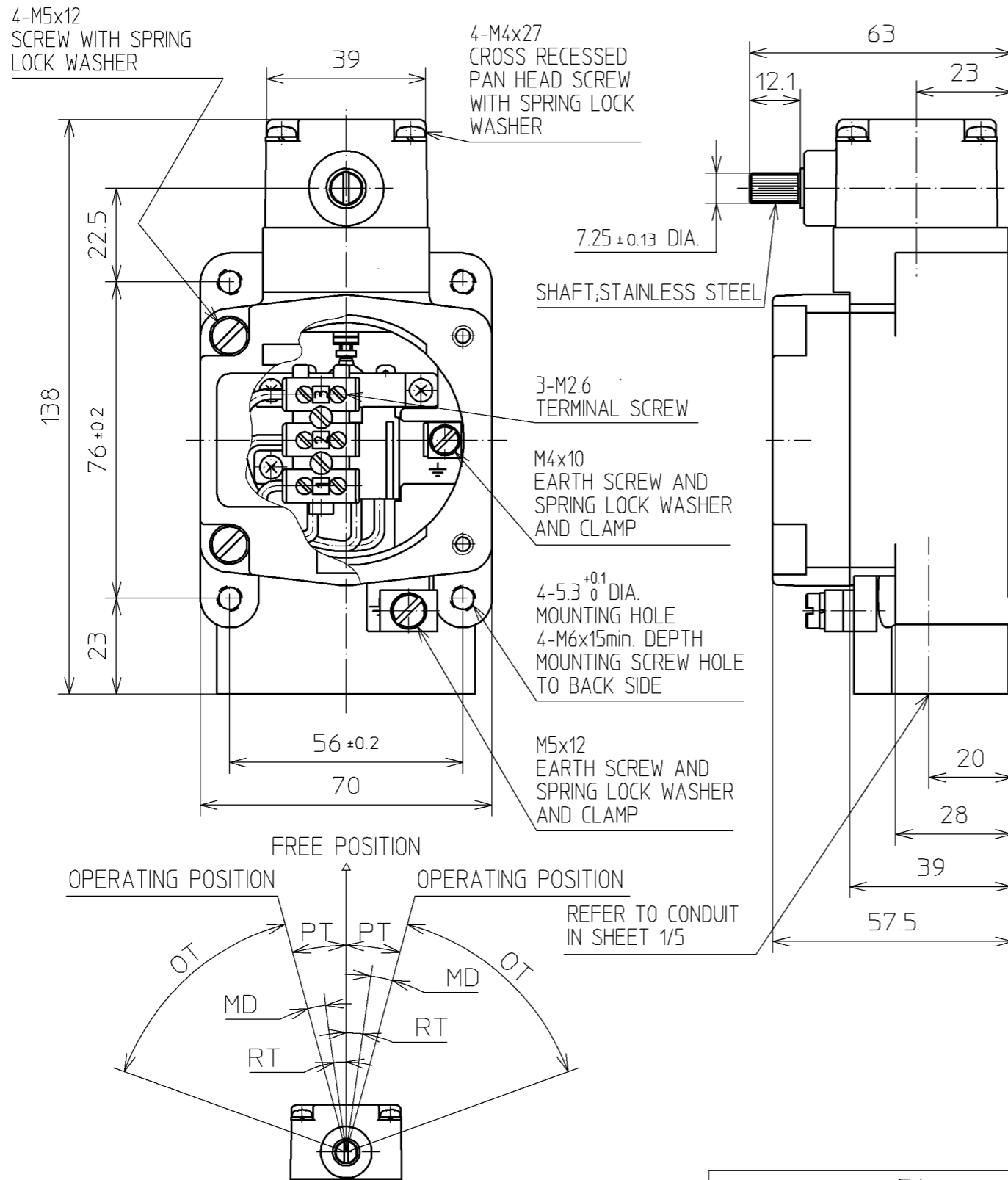
製品仕様書
SPECIFICATIONS WARNING

-  THIS SWITCH CONFORMS TO EN EXPLOSION-PROOF STANDARD.
USE ONLY WITHIN THE AREA WHERE THE EXPLOSIONPROOF STRUCTURE IS APPLICABLE.
AND PERFORM CABLE ENTRY AND PROTECTION TO MEET APPLICABLE STANDARDS.
- DON'T TOUCH INNER PARTS WHILE ENERGIZED. YOU MAY HAVE ELECTRICAL SHOCK.
 - DON'T USE THIS SWITCH WITH COVER OR CONDUIT OPEN. EXPLOSION MAY HAPPEN.
 - TERMINAL BOX OF THIS SWITCH HAS THE INCREASED SAFETY ENCLOSURE CONSTRUCTION. TO PREVENT EXPLOSION, ANY BARE LIVE WIRE MUST NOT TOUCH WITH ENCLOSURE.

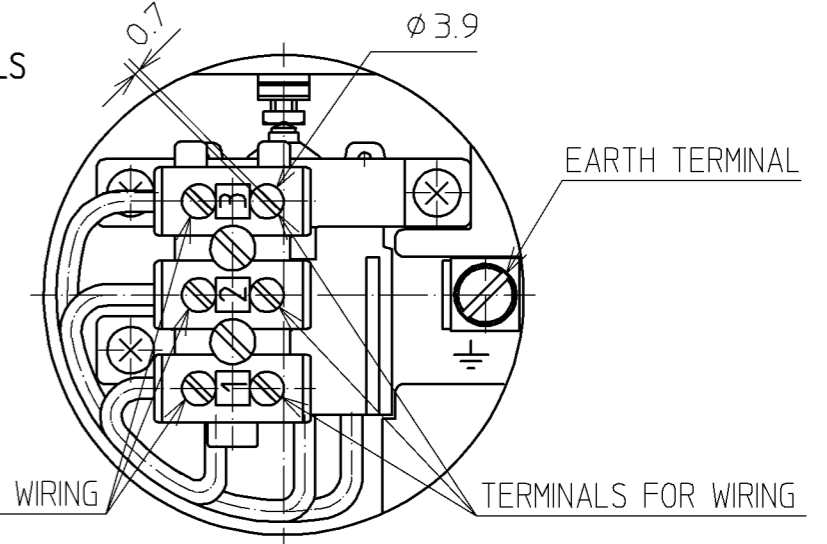
 CAUTION

-  AFTER REMOVING COVER BY LOOSING 4 M5 SCREWS, PERFORM NECESSARY WIRING TO SWITCH TERMINALS. WHEN WIRING SPECIAL ATTENTION SHALL BE GIVEN SO THAT THE WIRE DOES NOT TOUCH TO SWITCH PLUNGER. UNEVEN OR LOOSE TIGHTENING OF COVER SCREWS OR POOR CONDUIT CONNECTION MAY HAVE AN INFLUENCE ON THE EXPLOSIONPROOF FUNCTION.
- DO NOT DISASSEMBLE THE SWITCH PARTS EXCEPT COVER FOR WIRING AND OPERATION HEAD FOR OPERATION DIRECTION CHANGE.
 - PARTS EXCEPT LEVER CAN NOT BE REPLACED.
 - USE H-SLEEVE OF WEIDMULLER CO. OR EQUIVALENT FOR THE TERMINATING OF WIRES TO TERMINAL STRIP, AND TIGHTEN WITHIN RECOMMENDED TIGHTENING TORQUE (REFER SECTION 7 OF SHEET 3/5)
 - EARTH WIRING MUST BE PROVIDED.
 - THE DEGREE OF PROTECTION OF AT LEAST IP54 TO EN 60529 IS ONLY ACHIEVED IF AN EEx e CERTIFIED CABLE ENTRY IS USED THAT IS SUITABLE FOR THE APPLICATION AND CORRECTLY INSTALLED.

					作成DR. KOBAYASHI 9,10,'96		尺度SCALE UN	記入のない公差 TOL. UNLESS NOTED ~
	05	~	5,28,'03	HARADA	ARAI	検図CHK. ANDO 9,10,'96	形番 MODEL	1LX57**-**
	03	~	3,17,'03	TATSUHARA	ARAI	認可APPD. ANDO 9,10,'96	名称 NAME	EXPLOSION PROOF SWITCH
	01	~	7,30,'99	TATSUHARA	ARAI	日付DATE 9,10,'96	図番 NO.	AD52685E
頁	改番	改番 REV.	来歴 RECORD	: 日付 DATE	担当 BY	検閱 APPD.	改番REV.	4/5



TERMINAL DETAILS

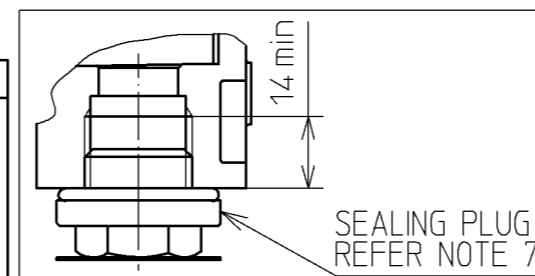


REFER TO NOTE 3
TERMINALS FOR INTERNAL WIRING

- NOTES
1. THIS SWITCH ACTUATES IN EITHER DIRECTION.
 2. IN THE MECHANICAL CHARACTERISTICS "O.F." AND "R.F." ARE THE CHARACTERISTICS AT 38.1mm LEVER LENGTH.
 3. TERMINALS FOR INTERNAL WIRING. DON'T LOOSEN.
 4. USE WIRES OR CABLES WITH AN ALLOWABLE TEMPERATURE MORE THAN 70°C.
 5. HOUSING, COVER AND HEAD ARE MADE OF ALUMINUM ALLOY AND FINISHED WITH GRAY PAINT.
 6. EXTERNAL SCREWS ARE MADE OF STAINLESS STEEL.
 7. DO NOT REMOVE THE PLUG UNTIL THE WIRING WORK.
 8. DO NOT USE SILICON RUBBER INSULATED ELECTRIC WIRE. IT MAY CAUSE CONTACT FAILURE.
 9. WHEN THIS SWITCH IS MOUNTED WITH VERTICAL SHAFT POSITION AND MAY SUBJECT TO RAIN, USE OPTIONAL BOOTS SEAL PA-J239

作成DR. KOBAYASHI 9,10,'96	検図CHK. ANDO 9,10,'96	認可APPD ANDO 9,10,'96	日付DATE 9,10,'96	形番 MODEL	名称 NAME	番 NO	改番REV. 03	5/5
尺度SCALE				記入のない公差TOL. UNLESS NOTED ±0.8				
03 ~ 3,17,'03 TATSUHARA ARAI				1LX57***-***				
02 ADDITION 12, 8,'99 TATSUHARA ARAI				EXPLOSION PROOF SWITCH				
01 SI (MKS) → SI 7,30,'99 TATSUHARA ARAI				AD52685E				

CHARACTERISTICS		CIRCUIT	
OPERATING FORCE	12.4N max. Δ	<p>Number indicates the label number of the terminal</p>	
RELEASE FORCE	1.7N min. Δ		
PRETRAVEL	15' max.		
MOVEMENT DIFFERENTIAL	7' max.		
OVERTRAVEL	30' min.		



改番REV.	来歴RECORD	日付DATE	担当BY	検閲APPD.
--------	----------	--------	------	---------

SP. NO.

Yamatake Corporation

製品仕様書 SPECIFICATIONS

“RESTRICTIONS ON USE”

This product has been developed, designed and manufactured in accordance with the standards of explosion-protected electrical apparatus.

When using this product in application requiring particular safety, special care should be taken to implement a fail-safe and/or redundant design concept as well as a periodic maintenance program.

The notified body and/or the applicable standards may vary by the model number. Be sure to confirm the specification for the details.

		01	JEO03-0457	6-23-03	Harada	Miura
1	01	00	First issue	12-2-02	Harada	Miura
頁	改番	改番	来歴	日付	担当	検閲
		REV.	RECORD	DATE	BY	APPD.