

SP. No.

Yamatake Corporation

製品仕様書
SPECIFICATIONS

CATALOG LISTING 5 L X 5 0 0 1 - 1 2

1 CONDUIT

CODE	CONDUIT
~	PRESSURE RESISTANCE THREAD JOINT STEEL CONDUIT TYPE
R	PRESSURE RESISTANCE PACKING TYPE

2 CONTACT MATERIAL AND SEAL MATERIAL

CODE	SEAL MATERIAL	REMARKS	CONTACT MATERIAL
~	NITRILE RUBBER	~	SILVER
H	SILICON RUBBER	FOR TROPICS	
L	SILICON RUBBER	FOR COLD DISTRICT	
K	NITRILE RUBBER	~	GOLD PLATED
K H	SILICON RUBBER	FOR TROPICS	
K L	SILICON RUBBER	FOR COLD DISTRICT	

CATALOG LISTINGS COVERED BY THIS DRAWING ARE AS IN THE BELOW TABLE

CATALOG LISTING	ELECTRICAL RATING
5 L X 5 0 0 1 5 L X 5 0 0 1 - R	Y164 5A-250 VAC
5 L X 5 0 0 1 - L 5 L X 5 0 0 1 - R L	0.8A-125VDC ; 0.4A-250VDC
5 L X 5 0 0 1 - H 5 L X 5 0 0 1 - R H	Y78 5A-250 VAC 0.4A-125VDC ; 0.2A-250VDC
5 L X 5 0 0 1 - K 5 L X 5 0 0 1 - R K	Y93 0.1A-125 VAC 0.1A- 30 VDC
5 L X 5 0 0 1 - K H	
5 L X 5 0 0 1 - R K H	
5 L X 5 0 0 1 - K L	
5 L X 5 0 0 1 - R K L	



4	03					作成DR. TATSUHARA 5, 10, '01	尺度 SCALE	記入のない公差 TOL. UNLESS NOTED ~			
3	04	04	JE003-1254	3,19,'03	TATSUHARA	ARAI	検図CHK. ARAI 12, 14, '01	形番 MODEL	5LX5001-***		
2	04	03	JE001-1294	5,10,'01	TATSUHARA	ARAI	認可APPD. ABE 12, 20, '01	名称 NAME	EXPLOSION PROOF SWITCH		
頁 PAGE	改番 REV.	改番 REV.	来歴 RECORD	日付 DATE	担当 BY	検閲 APPD.	日付DATE 12, 20, '01	図番 NO.	AD50441E	改番REV. 04	1/4

SP. No.

Yamatake Corporation

製品仕様書 SPECIFICATIONS

1. STANDARDS

- ・Conform to; JIS C 4508
- △△ ・Approved by; Explosion-protected electrical apparatus
Explosion-proof structure; d2G4
Approved No. 58036 (The Technology Institution of Industrial Safety)

2. STRUCTURE

- ・Type of Contact; SPDT Double break
- ・Shape of Contact; Rivet
- ・Protective Structure; IP67 (IEC 60529) △△
- ・Shape of Terminal; Screw (M4 binding head screw and lock washer)

3. ELECTRICAL CHARACTERISTICS

- ・Insulation Resistance and Dielectric Strength;

Portions to be measured	Insulation Resistance (500VDC megger)	Dielectric Strength (50~60Hz, for 1 minute)
Between unconnected terminals	100 MΩ min. △△	1000 VAC
Between each terminal and non-live metal part	100 MΩ min. △△	2000 VAC
Between each terminal and earth	100 MΩ min. △△	2000 VAC

- ・Contact Resistance

Silver Contacts;

50 mΩ max. (initial) Measured by the voltage drop method at 6 to 8 VDC 1 A.

Gold Plated Contacts;

100 mΩ max. (initial) Measured by the voltage drop method at 6 to 8 VDC 0.1 A.

- ・Minimum Contact Operating Current

Silver Contacts;

24V-10mA、12V-20mA

Gold Plated Contacts;

5V-10mA

作成DR. TATSUHARA 5, 10, '01		尺度SCALE UN	記入のない公差 TOL. UNLESS NOTED ~
検図CHK. ARAI 12, 14, '01	形番 MODEL	5LX5001-***	
認可APPD ABE 12, 20, '01	名称 NAME	EXPLOSION PROOF SWITCH	
日付DATE 12, 20, '01	図番 NO.	AD50441E	改番REV. 2/4

頁 PAGE	改番 REV.	改番 REV.	来歴 RECORD	日付 DATE	担当 BY	検閲 APPD.
-----------	------------	------------	--------------	------------	----------	-------------

SP. No.

Yamatake Corporation

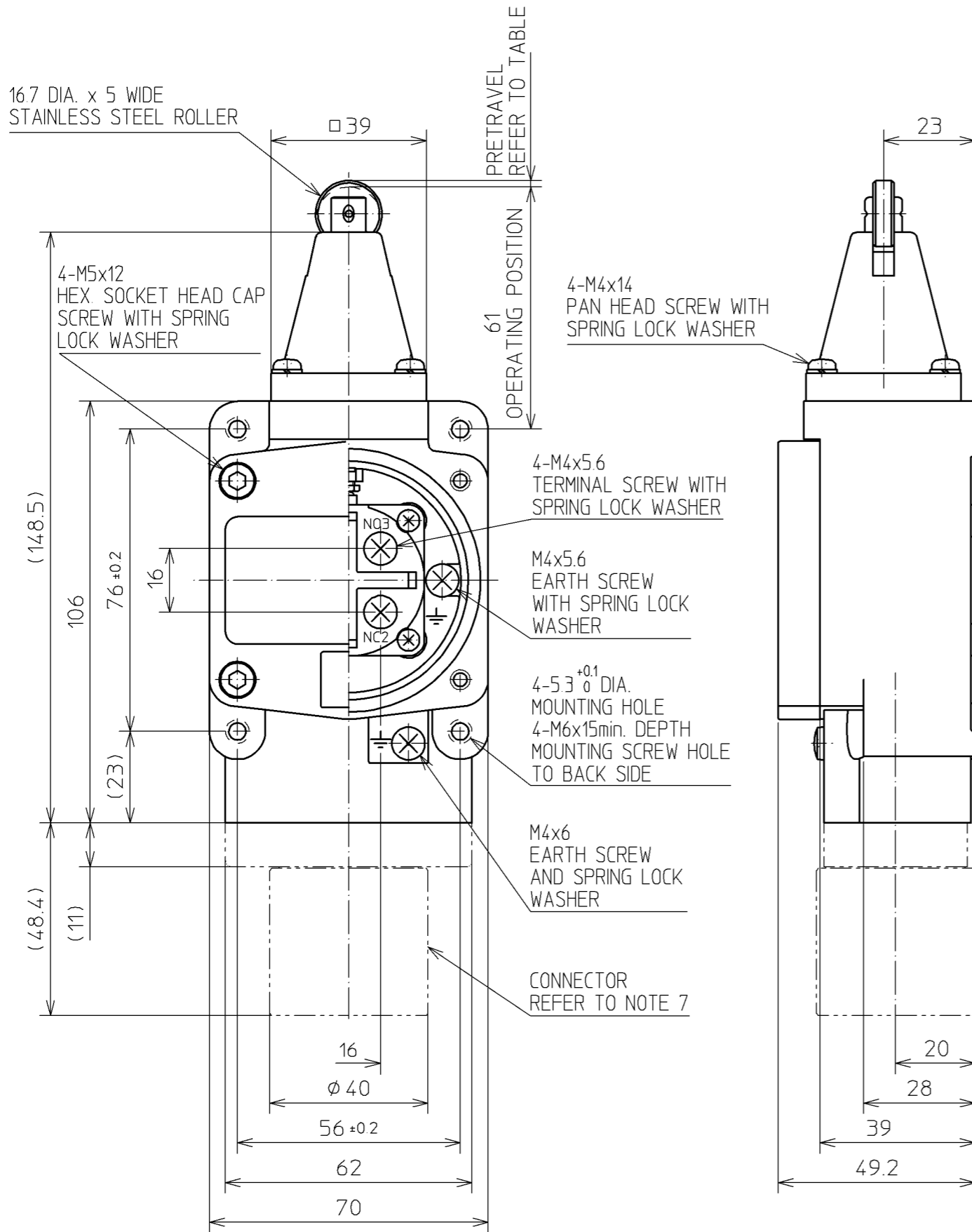
製品仕様書
SPECIFICATIONS

CIRCUIT DIAGRAM

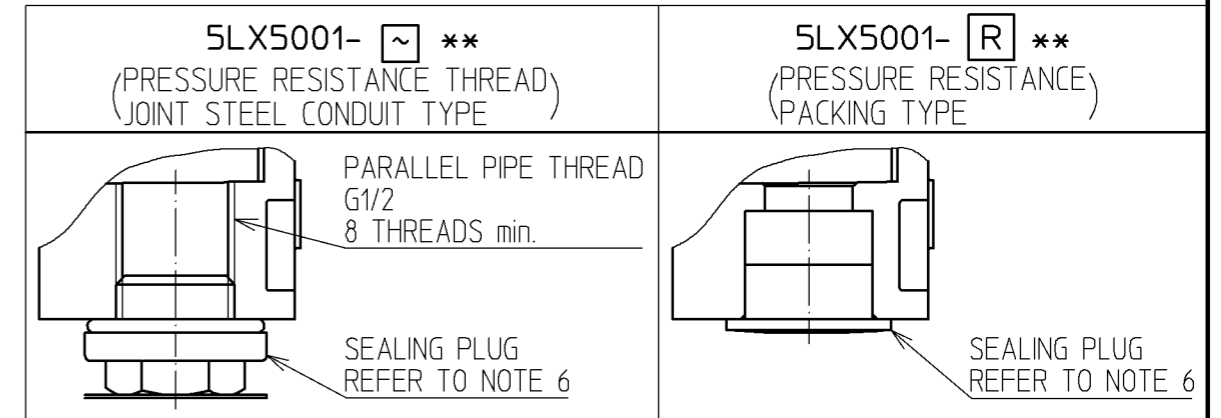


CHARACTERISTICS

CAT. LIST.	5LX5001	5LX5001-L	5LX5001-L
	5LX5001-K	5LX5001-KL	5LX5001-KL
	5LX5001-R	5LX5001-RL	5LX5001-RL
	5LX5001-RK	5LX5001-RKL	5LX5001-RKL
CHARACTERISTICS			
OPERATING FORCE	26.7N max.	37.3N max.	37.3N max.
RELEASE FORCE	8.9N min.	11.7 min.	11.7 min.
MOVEMENT DIFFERENTIAL	0.51 max.	0.8 max.	0.8 max.
OVERTRAVEL	5 min.	5 min.	5 min.
PRETRAVEL	1.65 max.	1.8 max.	1.8 max.



CONDUIT



PRESSURE RESISTANCE THREAD JOINT STEEL CONDUIT TYPE
PRESSURE RESISTANCE PACKING TYPE

- NOTES 1. FOR WIRING TO THIS SWITCH, DISASSEMBLE FOUR M5x12 HEX. SOCKET HEAD SCREWS WITH HEX. WRENCH TO REMOVE COVER, AND WIRE TERMINALS. USE THIS SWITCH IN CONFORMITY WITH "RECOMMENDED PRACTICE FOR EXPLOSION-PROTECTED ELECTRICAL INSTALLATIONS IN GENERAL INDUSTRIES" ISSUED BY MINISTRY OF LABOR SINCE UNBALANCED OR INSUFFICIENT TIGHTENING OF COVER AND INSUFFICIENT CONDUIT CONNECTION MAY RESULT IN REMARKABLE EXPLOSION PROOF PERFORMANCE DETERIORATION.
2. HOUSING, COVER, AND HEAD ARE MADE OF ALUMINUM ALLOY FINISHED WITH GRAY PAINT.
3. ACTUATOR HEAD MAY BE REASSEMBLED 90 DEGREES FROM POSITION SHOWN.
4. EXTERNAL SCREWS ARE MADE OF STAINLESS STEEL.
5. WHEN CONNECTING WIRE TO TERMINAL SCREW, ASSEMBLE AMP ROUND TERMINAL 328527 OR EQUIVALENTS TO WIRE END.
6. DO NOT REMOVE SEALING PLUG TILL STARTING WIRING.

PRESSURE RESISTANCE PACKING TYPE

NOTES 7. CONNECTOR IS NOT ATTACHED. ORDER SEPARATELY FROM THE FOLLOWINGS.

APPLICATION	PROTECTIVE TUBE SIZE G1/2	PROTECTIVE TUBE SIZE G3/4
TROPICS OR COLD DISTRICT	2PA-JEX1**L SERIES	2PA-JEX2**L SERIES
OTHER ENVIRONMENT	2PA-JEX1** SERIES	2PA-JEX2** SERIES

作成DR. SHIMIZU 6, 2, '92	検図CHK. ARAI 6, 2, '92	認可APPD. TSUKAKOSHI 6, 3, '92	日付DATE 6, 11, '92	尺度SCALE 記入のない公差TOL. UNLESS NOTED ±0.8	形番MODEL 5LX5001-***	名称NAME EXPLOSION PROOF SWITCH	図番NO. AD50441E	改番REV. 03	4/4
-------------------------	-----------------------	------------------------------	-------------------	---------------------------------------	---------------------	-------------------------------	----------------	-----------	-----

頁 改番

SP. NO.

Yamatake Corporation

製品仕様書 SPECIFICATIONS

“RESTRICTIONS ON USE”

This product has been developed, designed and manufactured in accordance with the standards of explosion-protected electrical apparatus.

When using this product in application requiring particular safety, special care should be taken to implement a fail-safe and/or redundant design concept as well as a periodic maintenance program.

The notified body and/or the applicable standards may vary by the model number. Be sure to confirm the specification for the details.

		01	JEO03-0457	6-23-03	Harada	Miura
1	01	00	First issue	12-2-02	Harada	Miura
頁	改番	改番	来歴	日付	担当	検閲
		REV.	RECORD	DATE	BY	APPD.