

Specifications

Recording and indicating section

- Number of record:* Up to 3 pts.
Type of record: Continuous
Scale: 101.6 mm, up to 3 scales
Pen speed: 6.0 ± 1.5 sec./FS
Chart: Type; Strip, rolled or folded
Width; 101.6 mm
Speed; 19 mm/hr.
Length; Rolled type – 15 m (30 days at 19 mm/hr.)
Folded type – 7.5 m (15 days at 19 mm/hr.)
Indication; PV – Ribbon tape, scale

Input section

- PV signal:* 1 to 5V DC
PV input bias current: $-1.5 \mu\text{A}$ DC or less
PV ind. accuracy: $\pm 0.5\%$ FS

Common section

- Power supply:* DC 24 V $\begin{matrix} +15\% \\ -10\% \end{matrix}$
Chart motor power supply: AC100, 110/115, 120,
220 V $\pm 10\%$, 50 or 60Hz ± 1 Hz
Power consumption (basic):
1-pen recorder – 4.6W (DC 24 V, 270 mA)
2-pen recorder – 9.2W (DC 24V, 340 mA)
3-pen recorder – 13.8W (DC 24 V, 510 mA)
Chart motor – AC 100V, 400 mA

Ambient temperature: 0 to 50°C

Relative humidity: 10 to 90% RH

Installation: Indoor panel mounting.

Mounting angle: Up to 30° case rear down from horizontal.
(Up to 60° if so specified).

Color finish:

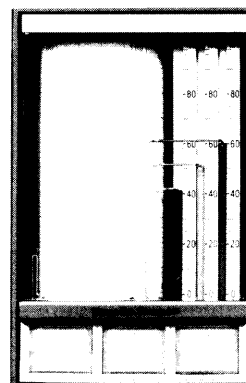
- Bezel;* Dark beige (Munsell 10YR 4.7/0.5)
Lower mask; Aluminic silver
Case; Dark beige (Munsell 10YR 4.7/0.5)

Dimension: 152.3 H X 101.5 W X 600 D (mm)

Net weight: Approx. 9 kg.

NUTRONIK 8000 RECORDER

MODEL; NSX 10/20/30



NSX 30

Options

Following options are available.

Item (1), (2) are the standard options.

(1) Lamp set

Up to 3 sets (24 V, 40 mA/lamp)

(2) Monitor switch (With a lamp set.)

PV 1 pt.

PV 2 pts.

Output; SPST contact (Rating; DC 28 V, 0.1 A resistive load)

Setting accuracy; $\pm 5\%$ FS (PV)

Power consumption;

PV monitor; 0.54 W (DC 24 V, 20 mA)/pt.

Item (3) ~ (7) are the semi-standard options.

(3) 4 ~ 20 mA DC input (Y46A, B, C)

1-input (Y46A), 2-input (Y46B), 3-input (Y46C)

Input impedance; 250Ω

(4) Varied chart speeds (Y55A, B, C)

St'd speed x 2; 38 mm/hr. (Y55A)

St'd speed x 3; 57 mm/hr. (Y55B)

St'd speed x 4; 76 mm/hr. (Y55C)

(5) Chart motor power supply of AC 24 V (Y57A, B)

AC 24 V 50 Hz (Y57A), AC 24 V 60 Hz (Y57B)

(6) Front mask semi-standard color (Y100A, B, D, E)

(7) Chart motor stop switch (Y114A)

Yamatake-Honeywell Co., Ltd.

Process Control Division

Sales Headquarters : Nagai International Bldg., 12-19, Shibuya 2 chome, Shibuya-ku, Tokyo, 150 Japan
Tel : (03) 409-7171 Telex : J22902 Cable : YAMATAKE CO

Model Number Table

Basic Model No.	Selections			Options	Description
	Key No.	Semi-Standard Code	Main Power Supply		
NSX 10					1-pen recorder
NSX 20					2-pen recorder
NSX 30					3-pen recorder
	Y				Semi-standard options (See note 1)
		-0			DC 24V
			1~8		AC 100~220V (See note 2)
			Y		AC 24V
				R	Rolled type
				F	Folded type
				-X	No option
				-1	Lamp set (1-set) ... NSX 10
				-2	Lamp set (2-set) ... NSX 20
				-3	Lamp set (3-set) ... NSX 30
				-5	PV monitor switch, 1-point w/a lamp set
				-6	PV monitor switch, 2-point w/a lamp set

Note 1.
When specifying semi-standard options (Y□), please write as: NSX 10Y-03 R-X (Y□).
When two or more "Y" options are needed, please refer to us.

Note 2.
Selection of chart motor power supplies.

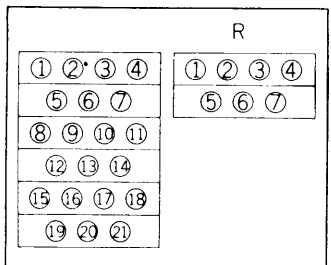
- 1: AC 220V, 50Hz
- 2: AC 220V, 60Hz
- 3: AC 100V, 50 Hz
- 4: AC 100V, 60 Hz
- 5: AC 110/115V, 50 Hz
- 6: AC 110/115V, 60 Hz
- 7: AC 120V, 50 Hz
- 8: AC 120V, 60 Hz

Note 3. Front mask semi-standard color

Part	Y-No.	Bezel	Lower Mask
	Y100A	Dark beige (10YR 4.7/0.5)	Aluminic silver
	Y100B	Green (2.5G 5/1.5)	Aluminic silver
	Y100D	Black (N1.2)	Aluminic silver
	Y100E	Jade green (7.58G 4/1.5)	Aluminic silver

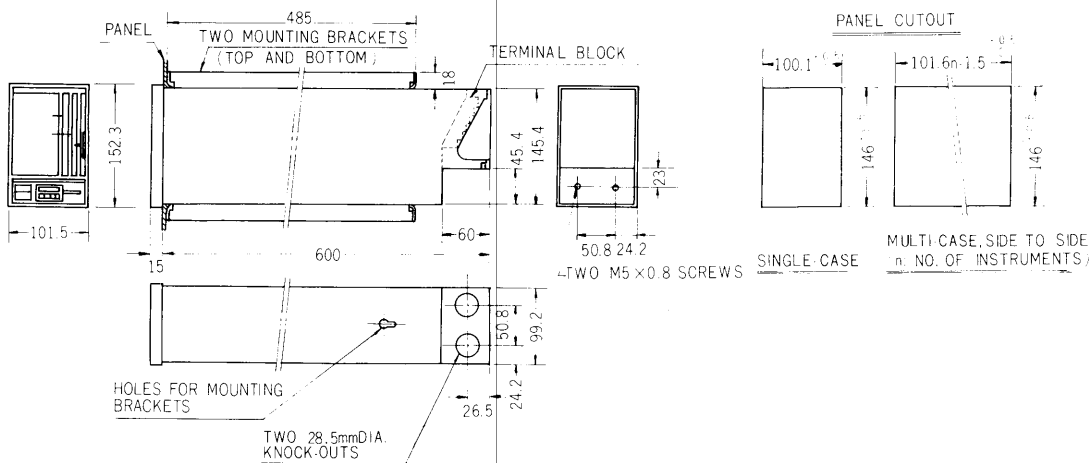
Terminal Connections

TERMINAL LOCATION



- ① + DC 24V POWER SUPPLY (+)
- ② PV1 No. 1 PROCESS VARIABLE (+)
- ③ SC SIGNAL COMMON
- ④ - DC 24V POWER SUPPLY (-)
- ⑤ LC COMMON OF LAMP POWER SUPPLY
- ⑥ L1 No. 1 LAMP POWER SUPPLY
- ⑦ L2 No. 2 LAMP "
- ⑧ L3 No. 3 LAMP "
- ⑨ L4 No. 4 LAMP "
- ⑩ L5 No. 5 LAMP "
- ⑪ L6 No. 6 LAMP "
- ⑫ MC COMMON OF MONITOR OUTPUT
- ⑬ M1 MONITOR OUTPUT, No. 1
- ⑭ + DC 24V POWER SUPPLY (+)
- ⑮ M2 MONITOR OUTPUT, No. 2
- ⑯ M3 MONITOR OUTPUT, No. 3
- ⑰ M4 MONITOR OUTPUT, No. 4
- ⑱ -
- ⑲ H } CHART MOTOR POWER SUPPLY
- ⑳ N }
- ㉑ GND GROUND
- ㉒ PV2 No. 2 PROCESS VARIABLE (+)
- ㉓ SC SIGNAL COMMON
- ㉔ PV3 No. 3 PROCESS VARIABLE (+)
- ㉕ SC SIGNAL COMMON
- ㉖ -
- ㉗ M5 MONITOR OUTPUT, No. 5
- ㉘ M6 MONITOR OUTPUT, No. 6

Dimensions



Ordering Information

When ordering, please specify:

- 1) Model No.
- 2) Scale range
- 3) Options

* Specifications are subject to change without notice.

* Reference instruction manual OM2-322-080