

# Room Humidity Controller

## Neostat

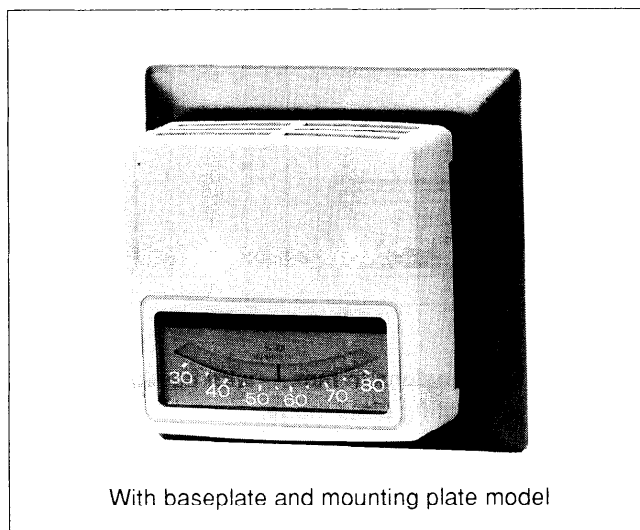
### H615A, H915A

#### General

NEOSTAT is a series of electric room type temperature controllers and humidity controllers. Its design and dimensions are compatible with those of electronic room type sensors NEOSENSOR.

H615A is a "snap-acting" two-position humidity controller which provides on-off control of humidifiers and dehumidifiers through solenoid valves or relays. H915A is a proportional humidity controller which provides proportional control of valves or dampers connected to Modutrol motors.

Each model of Neostat series has two mounting types. One is available with baseplate and mounting plate for individual mounting or mounting within Multi-thermo case TY110A. The other is without baseplate and mounting plate for mounting along with other Neostats or Neosensors using Neoplate QY10A, QY20A or QY30A that is a separate order item.



With baseplate and mounting plate model

#### Specifications

Model	H615A		H915A
Control provided	Two-position		Proportional
Range	30 to 80% RH	50 to 90% RH	30 to 80% RH
Nominal differential	Approx. 5% RH fixed (At 50% RH)	Approx. 5% RH fixed (At 65% RH)	—
Nominal throttling range	—		Approx. 12% RH fixed (At 50% RH)

**Finish:** Pale beige

**Operating ambient temperature:** 15 to 40°C

**Stock ambient temperature:** -20 to 50°C

**Stock ambient humidity:** 95% RH max.

**Mounting location:**

Do not mount the NEOSTAT where it may be affected by vibration.

**Electrical rating (H615A)**

	Dehumidifier		Humidifier	
	125V AC	250V AC	125V AC	250V AC
Full load	3.0A	1.5A	4.4A	2.2A
Locked rotor	18.0A	9.0A	26.4A	13.2A
Resistance load	—	—	8.0A	4.0A

#### Accessories furnished

Terminal block  
 Body mounting screw M3 × 8mm (1)  
 Terminal block mounting sheet metal screws M2.6 × 8mm (2)

#### Auxiliary devices (Order separately)

Multi-thermo case TY110A

Baseplate

Q6150A1003 (for H615)

Q9150A1007 (for H915)

NEOPLATE

DY2000A1003 (For single mounting horizontal)

DY2000A1002 (For single mounting vertical)

DY2000A2003 (For dual mounting horizontal)

DY2000A3002 (For triple mounting horizontal)

Thermoplate (for single room control)

QY11A01J1

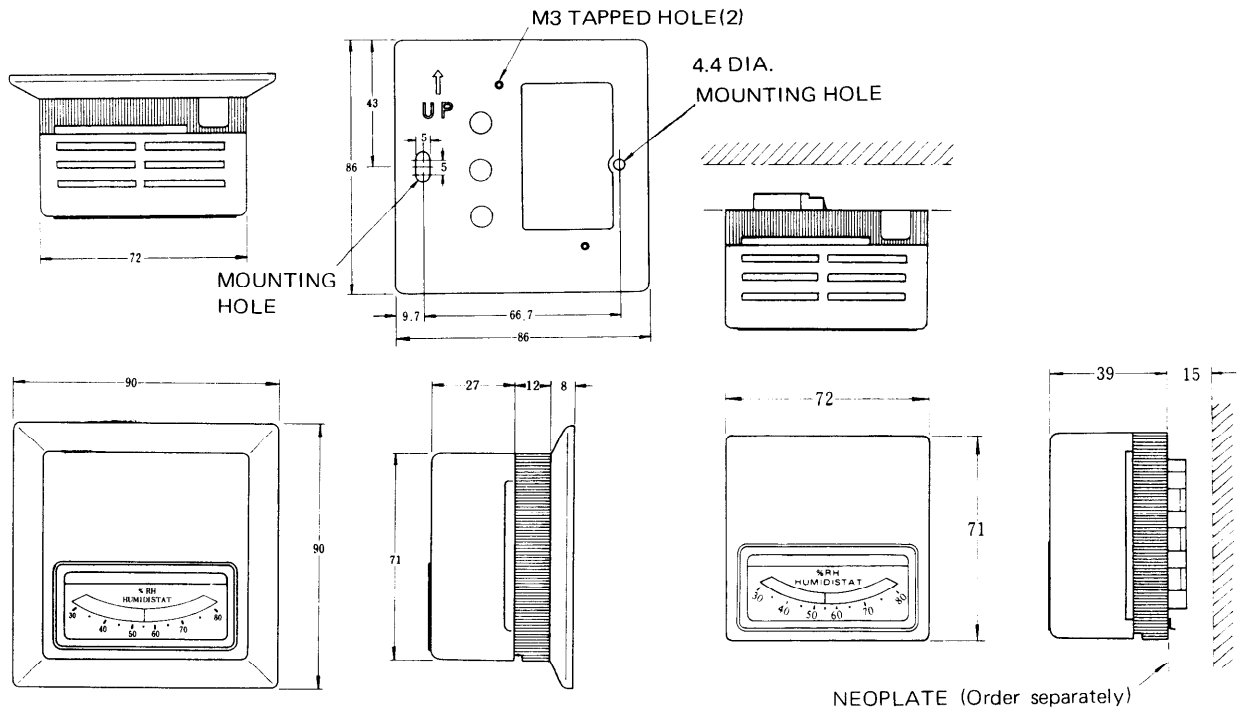
QY11B01J1

#### When ordering, specify

Model, Range

With or without baseplate and mounting plate

Auxiliary devices if required



**Fig. 1** Dimensions in mm. — with baseplate and mounting plate model

**Fig. 2** Dimensions in mm. — without baseplate and mounting plate model

## Cautions

Please read instructions carefully and use the product properly. Please keep this instruction so on hand for reference at any time.

### Usage Restrictions

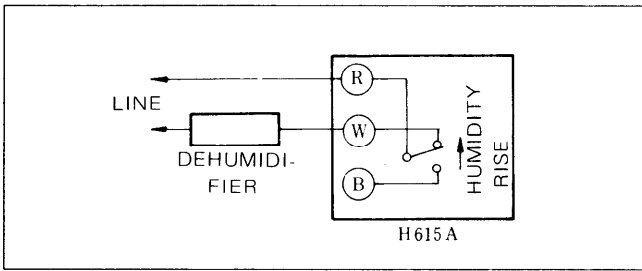
This product is intended for air conditioning control. Do not use this product where human life may be endangered.

For applications where reliability or control accuracy are critical, please contact your Yamatake sales representatives.

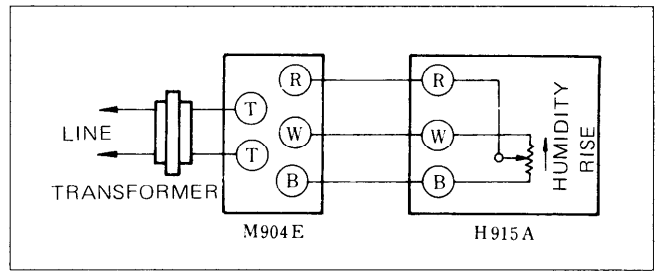
### ⚠ CAUTION

- ❗ • Installer must be performed by a trained, experienced service technician.
- ❗ • Check and do not exceed the ratings given herein to prevent equipment damage.
- ❗ • Check the environmental specifications given herein to prevent equipment damage.

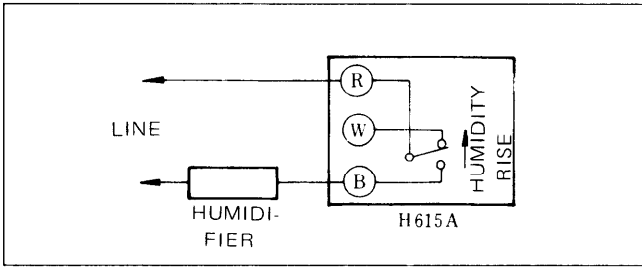
# Wiring



**Fig. 3** Wiring H615A for dehumidification



**Fig. 5** Wiring H915A for humidification  
(For 2 way-valve)



**Fig. 4** Wiring H615A for humidification

Refer to instruction AB-4181 "NEOSTAT" for installation.

*Specifications are subject to change without notice.*

**YAMATAKE**

---

**Yamatake Building Systems Co., Ltd.**

**Yamatake Corporation**  
**International Business Division**

Totate International Bldg.  
2-12-19, Shibuya, Shibuya-ku  
Tokyo, 150-8316, Japan  
Phone: 81-3-3486-2333  
Facsimile: 81-3-3486-2342

Rev. A2.1 Apr. 1999

Printed in Japan. AB-4182 5H-H