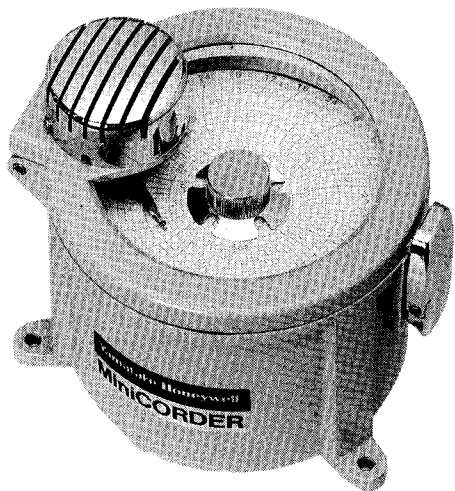


# WN521A, B Minicorder Temperature Recorder



## FEATURES

The WN521A, B Minicorder temperature recorder measures and records temperature variations in frozen food displays, refrigerated storage rooms, containers and trucks.

- Compact, light-weight
- Resists vibration and shock
- Records process data on scratch charts
- Long life sapphire recording pen
- 1-day and 7-day models available
- Splashproof enclosure

## SPECIFICATIONS

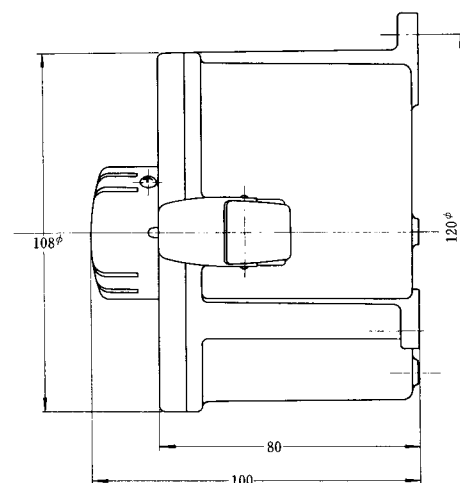
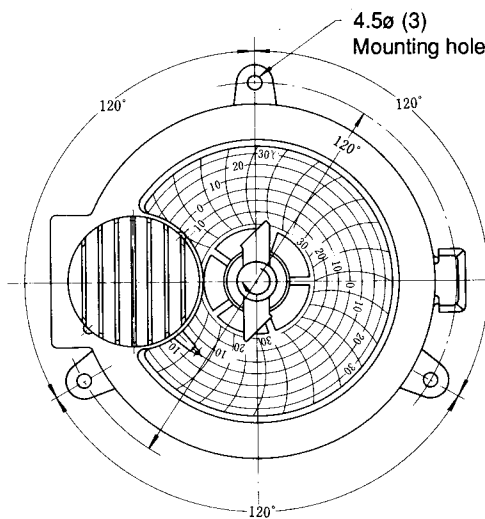
Model	Range	Number of Recording Days.	Chart No.
WN521A100	-20 to +40°C	1 day	188700B
WN521A700	-20 to +40°C	7 days	188700A
WN521B700	-10 to +60°C	7 days	188700C

Sensor: Bimetal element  
 Recording pen: Sapphire  
 Chart: Disk type, scratch recording synthetic  
 Chart Drive: Quartz motor  
 Power supply: 1.5V dc (AAA alkaline dry cell, one included)

Dry cell replacement time: 30 days  
 Accuracy:  $\pm 1.5^{\circ}\text{C}$   
 Weight: 770g  
 Finish: Munsell 1-B6/10 blue (body)  
 Structure: Splashproof  
 Vibration resistance:  $25\text{m/s}^2$  {2.5G} max.  
 Shock resistance:  $490\text{cm/s}^2$  {50G} max.  
 Storage temperature:  $-30$  to  $+70^{\circ}\text{C}$   
 Material: Aluminum die cast (body)  
 ABS resin (temperature sensor unit cover)

Accessories:  
 AAA alkaline dry cell: 1 unit  
 Chart: 30 sheets for one day recording; 10 sheets for 7 day recording

## DIMENSIONS



*Specifications are subject to change without notice.*

**Yamatake**

---

**Yamatake Co. Ltd.**

Control Products Division  
29Flr, Landmark Tower  
2-2-1-1 Minato Mirai, Nishi-ku  
Yokohama, Kanagawa  
220-81, Japan  
Phone: 81-45-224-1554  
Fax: 81-45-224-1568  
Cable: YAMATAKECO  
Telex: J22902

Printed in Japan. (H)  
May, 1994