

Meter Body Assembly

(3) Meter Body Assembly Parts List

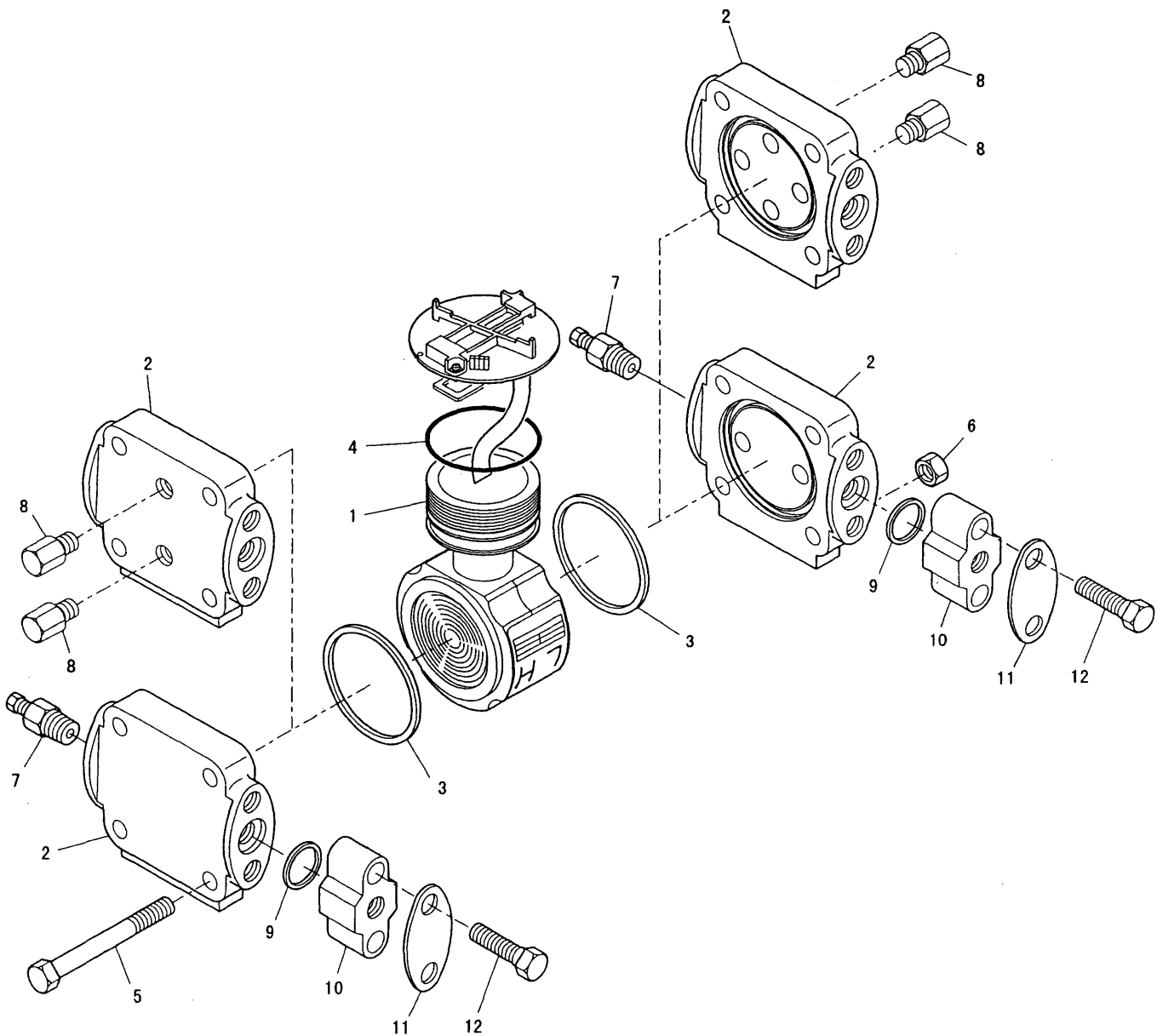
Key No.	Description	Quantity	Part No.	Price(¥)
1	Center body assembly (With E/M assembly)	1set	See Table(a)	
2	Process Flange, Rc1/4, SCS14A*1	2	80276386-002	18000
2	Process Flange, 1/4NPT, SCS14A*1	2	80276386-004	23000
2	Process Flange for side vent type, Rc1/4, SCS14A*1	2	80277257-002	15600
2	Process Flange for side vent type, 1/4NPT, SCS14A*1	2	80277257-004	16100
3	Gasket	2	80276388-001	700
4	'O' ring	1	80020935-825	600
5	Bolts SUS304	4	80276389-003	2500
5	Bolts SUS630	4	80276389-301	4000
6	Nuts SUS304	10	80276390-002	2600
6	Nuts SUS630	4	80276390-003	3000
7	Vent plug & Vent bushing	1set	See Table(b)	
8	Plug, Rc1/4	4	80053702-166	600
8	Plug, 1/4NPT	4	80053702-266	800
9	Gasket	10	80274742-001	1700
10	Flange adapter	2	See Table(c)	
11	Cover	2	80277979-001	600
12	Bolts, SUS304	4	80271420-007	900

*1:SCS14A(Equivalent to SUS316) or SUSF316

Meter Body Assembly

STD910

Wetted parts material
SUS316 only



ST 3000 Series 900	Electronic Differential Pressure Transmitter	STD910	1st Edit : 99-10-1	6 of 39
-----------------------	---	--------	--------------------	---------