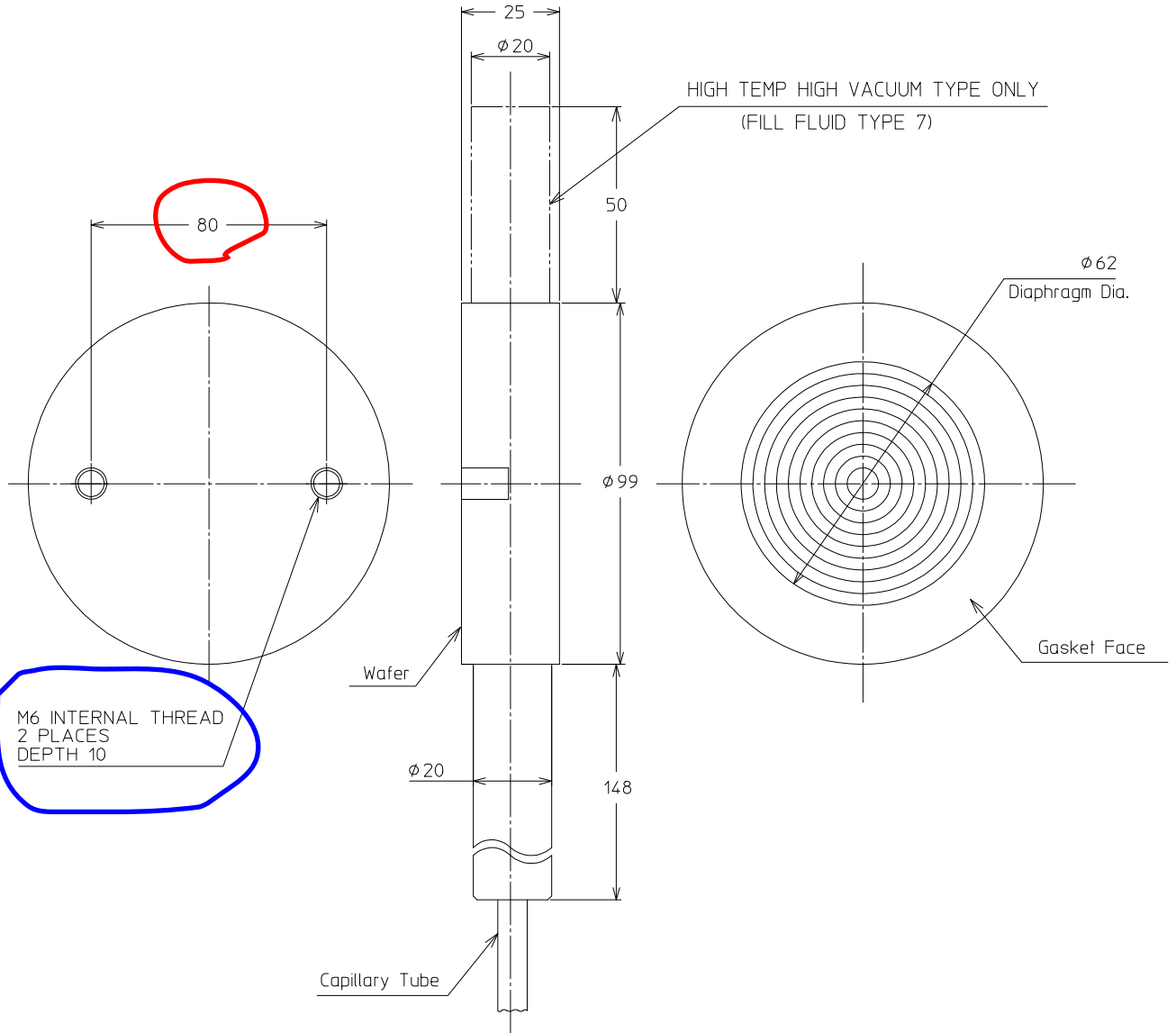


DIMENSIONAL DRAWING UNIT : mm

Wafer Type



Note 1) Choose gaskets that do not touch diaphragm after installation.

ST3000 Series 900

FLANGE DIMENSIONS (REMOTE SEAL)

MODEL NO.

WAFER TYPE

Yamatake Corporation

DATE JUL. 30. '97
REF.

DRAWING NO.

ED-529559-2

0	197. 7-30	K.Y. / S.A.	3	02. 2-21	I. I. / K.N.
1	99. 3-29	M.H. / K.N.	4	.	.
2	01. 7-11	I. I. / K.M.	5	.	.
R					
E					
V					

A

B

C

D

E