

HC-NPT-1/2-M20

Order No.: 1686847

<http://eshop.phoenixcontact.com.sg/phoenix/treeViewClick.do?UID=1686847>

NPT adapter, IP68, up to 5 bar, incl. O-ring seal, 1/2" to M20

Commercial data

EAN	4017918822705
Pack	25 Pcs.
Customs tariff	74199990
Catalog page information	Page 441 (PC-2007)

Product notes

WEEE/RoHS-compliant since:
26-06-2006

Please note that the data given here has been taken from the online catalog. For comprehensive information and data, please refer to the user documentation at <http://www.download.phoenixcontact.com>. The General Terms and Conditions of Use apply to Internet downloads.

Technical data

Allgemein

Material	Nickel-plated brass
Material, O-ring	NBR
Thread type on connection side	M20
Ambient temperature (operation)	-20 °C ... 80 °C

Certificates

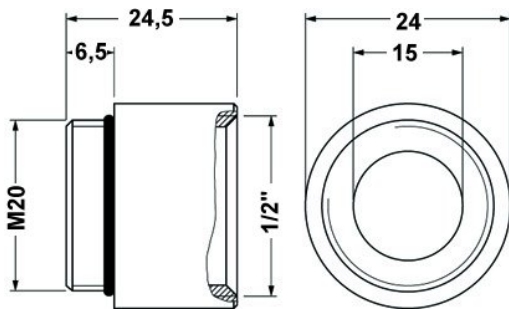


Certification

GOST

Drawings

Dimensioned drawing



Address

Phoenix Contact SEA Pte. Ltd.
750C Chai Chee Road
SGP-Singapore 469003, Singapore
Phone +65/6243-6781
Fax +65/6443-0039
<http://www.phoenixcontact.com.sg/>



Technical modifications reserved;