

DSTJ3000
Smart Transmitter
New Ace Series
Electronic Differential Pressure Transmitter

Model JTD 910/920/930/960/921/931/961
JTF 929/940
JTR 929/930
JTG 940/960/980
JTU 940/960/980
JTA 922/940
JTC 929/940
JTE 929/930
JTH 920/940/960
JTS 922/940

Parts List

DSTJ3000 New Ace	Electronic Differential Pressure Transmitter	JTD,JTF,JTR,JTG JTU,JTA,JTC,JTE JTH,JTS	1st Edit : 98.10.1 Rev.(2) : 01.9.1	PL2-DST100-9501 1 of 40
---------------------	---	---	--	----------------------------

Case Assembly

(2)Case Assembly Parts List (W/O meter body)

Key No.	Description	Quantity	Part No.
1	Housing assembly	1	See table(a)
2	Terminal assembly	1set	See table(d)
(2-1)	O-ring	1	80020935-811
(2-2)	Terminal holders	3	80370017-001
3	Screws and grounding collar	1 set	80370464-001
4	Cap assembly w/glass window	1set	See table(b)
(4-1)	Screw	1	HS318203-050
(4-2)	O-ring	1	80020935-183
5	Cap assembly w/o glass window	1set	See table(c)
6	Electronics module *	1	See table(e)
7	Local zero adj. PWA	1	80370467-001
8	Local zero adj. Assembly	1set	80370457-001
9	Blind plate assembly	1set	80370466-001
10	Screws	2	HS318206-080
11	Name plate	1	See table(i)
12	Screws for Name plate	2	HS311230-040
13	Screws for earth ground	1	80277581-002
14	Blind plug for 1/2NPT	1	80277971-001
15	Blind plug for G1/2 w/O-ring	1set	80377115-0010C
(15-1)	O-ring	1	80020935-118
16	Plastic plug	1	HS400006-000
17	Explosionproof cable adapter assembly w/O-ring	1set	80343903-003
18	Elbow assembly w/O-ring	1set	See table(f)
19	Tool	1	80277877-001
20	Engineering units label	1	80370187-001
21	Mounting bracket kit	1set	See table(g)
	Mounting bracket kit(Replace kit)	1set	See table(h)

* need for P-ROM No.

DSTJ3000 New Ace	Electronic Differential Pressure Transmitter	JTD,JTF,JTR,JTG JTU,JTA,JTC,JTE JTH,JTS	1st Edit : 98.10.1 Rev.(2) : 01.9.1	PL2-DST100-9501 3 of 40
---------------------	---	---	--	----------------------------

Case Assembly

(2)Case Assembly Parts List (Continued)

Table(a) : Housing assembly(Key No.1)

Housing type	Electrical conduit	Corting color	Corting spec.	Applicable Model No.	Part No.			
Type A (St'd Housing) JT□9□□A	G1/2	Light beige	Standard	JT□A-□-□*1□X□-□	80370006-001			
			Corrosion resisitant finish	JT□A-□-□*1□A□-□	80370006-002			
			Corrosion protective finish	JT□A-□-□*1□B□-□	80370006-003			
		Silver	Corrosion resisitant finish	JT□A-□-□*1□D□-□	80370006-004			
			1/2NPT	Light beige	Standard	JT□A-□-□*2□X□-□	80370006-011	
					Corrosion resisitant finish	JT□A-□-□*2□A□-□	80370006-012	
	Corrosion protective finish	JT□A-□-□*2□B□-□			80370006-013			
	Type B (Replace Housing) JT□9□□B	G1/2(C1) (1 conduit)	Light beige	Standard	JT□B-□-□*3□X□-□	80370458-001		
				Corrosion resisitant finish	JT□B-□-□*3□A□-□	80370458-002		
				Corrosion protective finish	JT□B-□-□*3□B□-□	80370458-003		
			Silver	Corrosion resisitant finish	JT□B-□-□*3□D□-□	80370458-502		
				W/Terminal case	G1/2(C2) (2 conduits)	Light beige	Standard	JT□B-□-□*4□X□-□
Corrosion resisitant finish							JT□B-□-□*4□A□-□	80370458-052
Corrosion protective finish	JT□B-□-□*4□B□-□	80370458-053						
Silver	Corrosion resisitant finish	JT□B-□-□*4□D□-□	80370458-552					
	1/2NPT(C2) (2 conduits)	Light beige	Standard			JT□B-□-□*5□X□-□	80370458-061	
			Corrosion resisitant finish			JT□B-□-□*5□A□-□	80370458-062	
Corrosion protective finish			JT□B-□-□*5□B□-□	80370458-063				
Silver		Corrosion resisitant finish	JT□B-□-□*5□D□-□	80370458-562				

*1: X1, H, 2, 3, 4, 5, 6

*2: A

*3: X, 1, 2, 4, 6

*4: X, G, H, 3, 5, J

*5: A, L

Table(b) : Cap assembly w/glass window(Key No.4)

	Coating color	Corting spec.	Applicable Model No.	Part No.	
Cap w/glass w/ O-ring	Dark beige	Standard	JT□*6-□*7□-□*8X□-□	80370456-001	
		Corrosion resisitant finish	JT□*6-□*7□-□*8A□-□	80370456-002	
		Corrosion protective finish	JT□*6-□*7□-□*8B□-□	80370456-003	
	Silver	Corrosion resisitant finish	JT□*6-□*7□-□*8D□-□	80370456-004	
		Blue for analog FSK communication type	Standard	JT□*6-2□-□*8X□-□	80370456-011
			Corrosion resisitant finish	JT□*6-2□-□*8A□-□	80370456-012
	Corrosion protective finish		JT□*6-2□-□*8B□-□	80370456-013	

*6: A, B

*7: 1, 3

*8: 1, 2

DSTJ3000 New Ace	Electronic Differential Pressure Transmitter	JTD, JTF, JTR, JTG JTU, JTA, JTC, JTE JTH, JTS	1st Edit : 98.10.1 Rev.(2) : 01.9.1	PL2-DST100-9501 4 of 40
---------------------	---	--	--	----------------------------

Case Assembly

(2)Case Assembly Parts List (Continued)

Table(c) : Cap assembly w/o glass window(Key No.5)

	Coating Spec.	Coring spec.	Applicable Model No.	Part No.
Cap w/o glass w/ O-ring	Darl beige	Standard	JT□*6-*7□-□*8X□-□	80277719-001
		Corrosion resitant finish	JT□*6-*7□-□*8A□-□	80277719-002
		Corrosion protective finish	JT□*6-*7□-□*8B□-□	80277719-003
	Silver	Corrosion resitant finish	JT□*6-*7□-□*8D□-□	80277719-004
	Blue for analog FSK communication type	Standard	JT□*6-2□-□*8X□-□	80277719-011
		Corrosion resitant finish	JT□*6-2□-□*8A□-□	80277719-012
		Corrosion protective finish	JT□*6-2□-□*8B□-□	80277719-013

*6:A,B
*7:1,3
*8:1,2

Table(d) : Terminal assembly(Key No.2)

	Options		Applicable Model No.	Part No.	
Terminal assembly w/ O-ring w/ holder	Standard (w/ diode)	w/ digital indicator	none	JT□*6-□-*a*c□-XX	80370455-001
			w/ lightening arrester	JT□*6-□-*a*c□-A4	80370455-002
			intrinsical safety	JT□*6-□-*b*c□-□	80370455-003
		w/o digital indicator	none	JT□*6-□-*aX□-XX	80370455-004
			w/ lightening arrester	JT□*6-□-*aX□-A4	80370455-005
			intrinsical safety	JT□*6-□-*bX□-□	80370455-006
	For NW35, NWS300 (w/o diode)	w/ digital indicator	none	JT□*6-□-*a*c□-B7	80370455-101
			w/ lightening arrester	JT□*6-□-*a*c□-A4B7	80370455-102
			intrinsical safety	JT□*6-□-*b*c□-B7	80370455-103
		w/o digital indicator	none	JT□*6-□-*aX□-B7	80370455-104
			w/ lightening arrester	JT□*6-□-*aX□-A4B7	80370455-105
			intrinsical safety	JT□*6-□-*bX□-B7	80370455-106

*6:A,B
*a:X,G,1,H,2,3,4,5,A,L,
*b:6,J
*c:1,2

Table(e) : Electronics module(Key No.6)

* need for P-ROM No.

	Electronics module type	Applicable Model No.	Part No.	
Electronics module	Standard	Burnout(NA)	JT□*6-*7□-*a□D□-XX	80370454-001
		Burnout up	JT□*6-*7□-*a□U□-XX	80370454-002
		Burnout down	JT□*6-*7□-*a□X□-XX	80370454-003
	Intrinsical safety	Burnout(NA)	JT□*6-*7□-*b□D□-XX	80370454-021
		Burnout up	JT□*6-*7□-*b□U□-XX	80370454-022
		Burnout down	JT□*6-*7□-*b□X□-XX	80370454-023
	Analog FSK communication	Burnout(NA)	JT□*6-2□-*a□D□-XX	80370454-011
		Burnout up	JT□*6-2□-*a□U□-XX	80370454-012
		Burnout down	JT□*6-2□-*a□X□-XX	80370454-013

*6:A,B
*7:1,3
*a:X,G,1,H,2,3,4,5,A,L,
*b:6,J

DSTJ3000 New Ace	Electronic Differential Pressure Transmitter	JTD,JTF,JTR,JTG JTU,JTA,JTC,JTE JTH,JTS	1st Edit : 98.10.1 Rev.(2) : 01.9.1	PL2-DST100-9501 5 of 40
---------------------	---	---	--	----------------------------

Case Assembly

(2)Case Assembly Parts List (Continued)

Table(f) : Elbow assembly w/'O' ring(Key No.18)

	Electrical conduit	Part No.
Elbow assembly	G1/2	80357206-105
	1/2NPT	80370185-003

Table(g) : Mounting bracket kit(Key No.21)

Material	Applicable Model No.	Applications	Part No.
Non bracket	JTF/JTC		80279919-009
Carbon steel	JTD/JTG/JTA	w/o add-on	80279919-008
	JTR/JTU	w/o hightemp-highvacuum	
	JTE/JTH		
Carbon steel	JTD/JTG/JTA	w/ add-on	80279919-011
	JTS	w/ hightemp-vacuum	
	JTR/JTU/JTS	w/ hightemp-highvacuum	
SUS304	JTD/JTG/JTA	w/o add-on	80279919-014
	JTR/JTU	w/o hightemp-highvacuum	
	JTE/JTH		
SUS304	JTD/JTG/JTA	w/ add-on	80279919-015
	JTS	w/ hightemp-vacuum	
	JTR/JTU/JTS	w/ hightemp-highvacuum	
Non bracket	JTR/JTE	w/ Direct mounting	80279919-016

Table(h) : Mounting bracket kit (Replace kit)(Key No.21)

Material	Applicable Model No.	Replacing Model No.	Part No.
Carbon steel	JTD/JTG/JTA	Model No. : A	80279963-001
Carbon steel	JTD/JTG/JTA	Model No. : B	80279963-002
Carbon steel	JTD/JTG/JTA	Model No. : C	80279963-003
Carbon steel	JTD/JTG/JTA	Model No. : D	80279963-004
Carbon steel	JTD/JTG/JTA	Model No. : E	80279963-005
Carbon steel	JTD/JTG/JTA	Model No. : F	80279963-006
Carbon steel	JTD/JTG/JTA	Model No. : G	80279963-007
Carbon steel	JTD/JTG/JTA	Model No. : H	80279963-008
Carbon steel	JTD/JTG/JTA	Model No. : J	80279963-009
Carbon steel	JTD/JTG/JTA	Model No. : K	80279963-010
Carbon steel	JTD/JTG/JTA	Model No. : L	80279963-011
Carbon steel	JTD/JTG/JTA	Model No. : M	80279963-012

Refer to the MKT Information as for the Model No. A to M

Table(i) : Name plate(Key No.11)

Name Plate	Name Plate Type	Applicable Model No.	Part No.
Name Plate	None	JT□*6-□-*d□-□	80277749-501
	Explosion-proof	JT□*6-□-*e□-□	80277749-602
	Intrinsical safety	JT□*6-□-*b□-□	80277749-701

*6:A,B

*b:6,J

*d:X,G,A,L

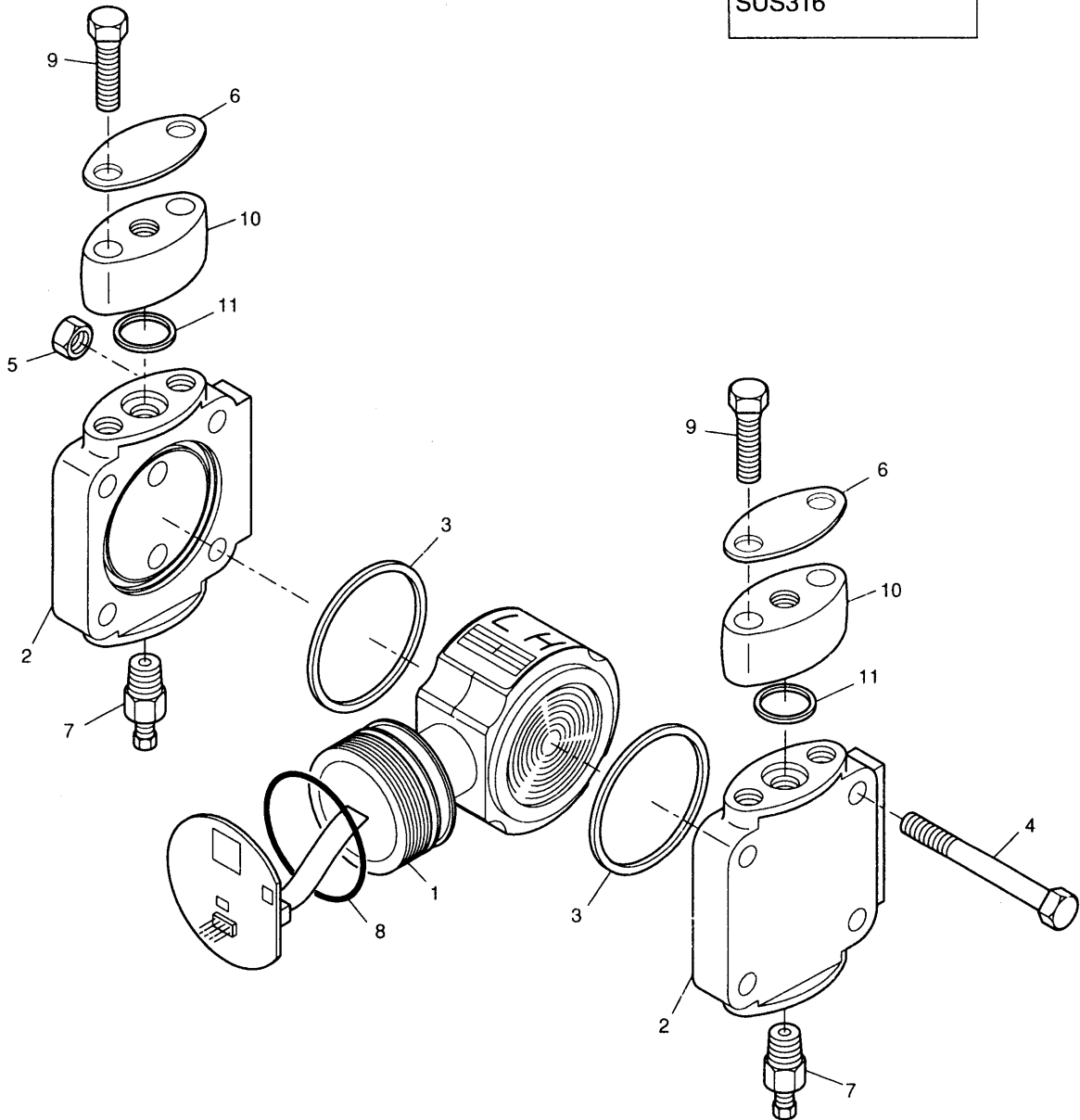
*e:1,H,2,3,4,5

DSTJ3000 New Ace	Electronic Differential Pressure Transmitter	JTD,JTF,JTR,JTG JTU,JTA,JTC,JTE JTH,JTS	1st Edit : 98.10.1 Rev.(2) : 01.9.1	PL2-DST100-9501 6 of 40
---------------------	---	---	--	----------------------------

Meter Body Assembly

JTD910 : Standard(φ 80)

Wetted parts material
SUS316



DSTJ3000 New Ace	Electronic Differential Pressure Transmitter	JTD,JTF,JTR,JTG JTU,JTA,JTC,JTE JTH,JTS	1st Edit : 98.10.1 Rev.(2) : 01.9.1	PL2-DST100-9501 7 of 40
---------------------	---	---	--	----------------------------

Meter Body Assembly

(3) Meter Body Assembly Parts List

Key No.	Description	Quantity	Part No.
1	Center body assembly (With E/M assembly)	1set	See Table(a)
2	Process Flange, Rc1/4, SUS316	2	80276386-002
2	Process Flange, 1/4NPT, SUS316	2	80276386-004
3	Gasket	2	80276388-001
4	Bolts, SUS304	4	80276389-003
5	Nuts, SUS304	4	80276390-002
6	Cover	2	80277979-001
7	Vent plug & Vent bushing	2set	See Table(b)
8	O-ring	1	80020935-825
9	Bolts, carbon steel	4	80271420-001
9	Bolts, SUS304	4	80271420-007
10	Flange adapter	2	See Table(c)
11	Gasket	2	80274742-001

DSTJ3000 New Ace	Electronic Differential Pressure Transmitter	JTD,JTF,JTR,JTG JTU,JTA,JTC,JTE JTH,JTS	1st Edit : 98.10.1 Rev.(2) : 01.9.1	PL2-DST100-9501 8 of 40
---------------------	---	---	--	----------------------------

Meter Body Assembly

(3)Meter Body Assembly Parts List (Continued)

Table(a) : JTD910 Center body assembly

(With E/M assembly)(Wetted parts material:SUS316)

Key No.	Description	Quantity	Part No.
1	Silicone oil (With E/M assembly St'd Burnout NA)	1set	80370452-004
1	Silicone oil (With E/M assembly St'd Burnout up)	1set	80370452-104
1	Silicone oil (With E/M assembly St'd Burnout down)	1set	80370452-204
1	Silicone oil (With E/M assembly Analog FSK communication Burnout NA)	1set	80370452-304
1	Silicone oil (With E/M assembly Analog FSK communication Burnout up)	1set	80370452-404
1	Silicone oil (With E/M assembly Analog FSK communication Burnout down)	1set	80370452-504
1	Silicone oil (With E/M assembly Intrinsically safe Burnout NA)	1set	80370452-604
1	Silicone oil (With E/M assembly Intrinsically safe Burnout up)	1set	80370452-704
1	Silicon oil (With E/M assembly Intrinsically safe Burnout down)	1set	80370452-804
1	Fluorine oil (With E/M assembly St'd Burnout NA)	1set	80370452-014
1	Fluorine oil (With E/M assembly St'd Burnout up)	1set	80370452-114
1	Fluorine oil (With E/M assembly St'd Burnout down)	1set	80370452-214
1	Fluorine oil (With E/M assembly Analog FSK communication Burnout NA)	1set	80370452-314
1	Fluorine oil (With E/M assembly Analog FSK communication Burnout up)	1set	80370452-414
1	Fluorine oil (With E/M assembly Analog FSK communication Burnout down)	1set	80370452-514
1	Fluorine oil (With E/M assembly Intrinsically safe Burnout NA)	1set	80370452-614
1	Fluorine oil (With E/M assembly Intrinsically safe Burnout up)	1set	80370452-714
1	Fluorine oil (With E/M assembly Intrinsically safe Burnout down)	1set	80370452-814

DSTJ3000 New Ace	Electronic Differential Pressure Transmitter	JTD,JTF,JTR,JTG JTU,JTA,JTC,JTE JTH,JTS	1st Edit : 98.10.1 Rev.(2) : 01.9.1	PL2-DST100-9501 9 of 40
---------------------	---	---	--	----------------------------

Meter Body Assembly

(3) Meter Body Assembly Parts List (Continued)

Table(b) : Vent plug & Vent bushing

Key No.	Description	Quantity	Part No.
7	Rc1/4, SUS316, St'd	1set	80277977-001
	1/4NPT, SUS316, St'd	1set	80277977-002
	Rc1/4, SUS316, Long type	1set	80277977-005
	1/4NPT, SUS316, Long type	1set	80277977-006

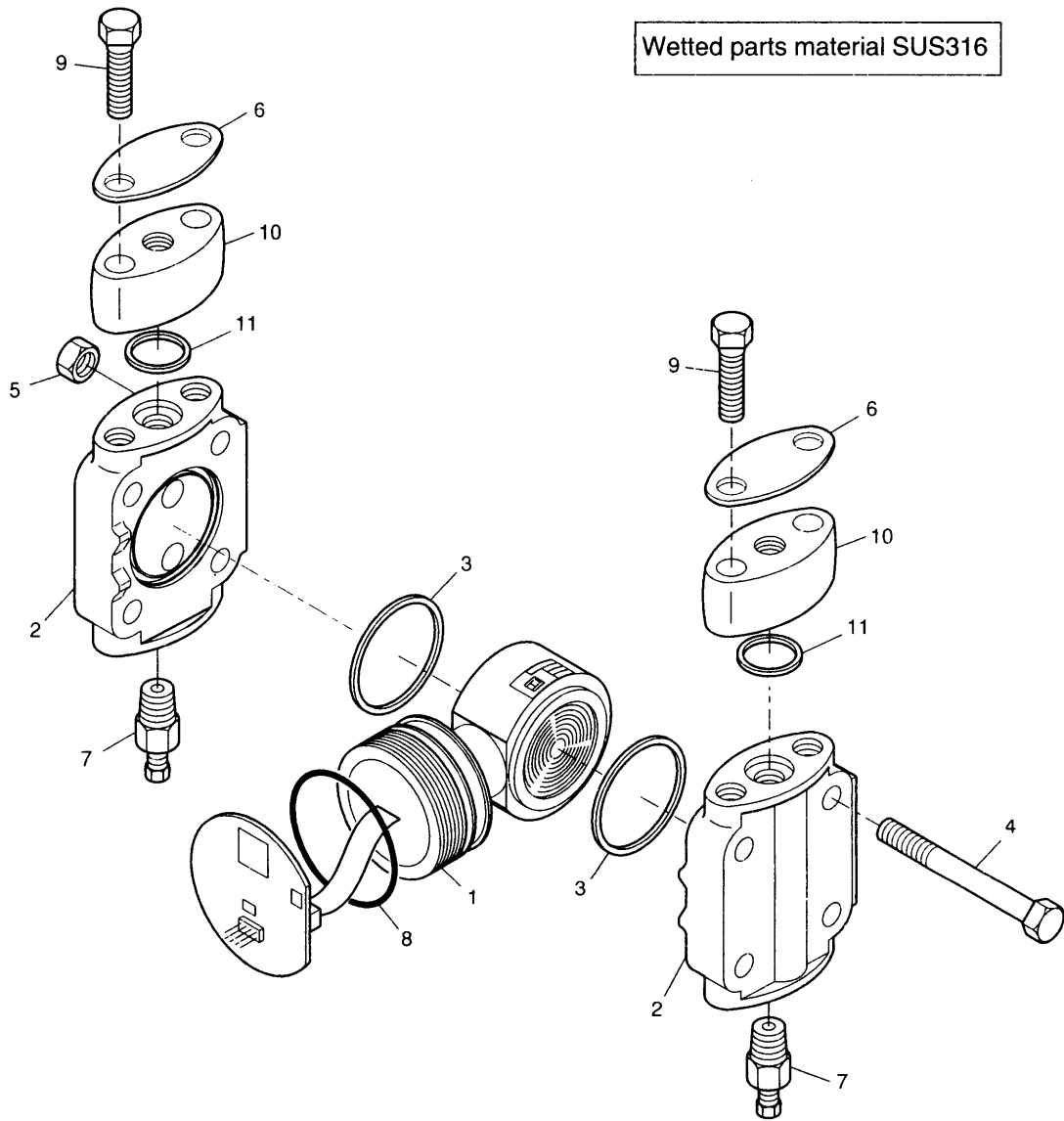
Table(c) : Flange adapter

Key No.	Description	Quantity	Part No.
10	Rc1/2, SUS316	2	80269535-002
	1/2NPT, SUS316	2	80269535-005
	Rc1/4, SUS316	2	80269535-008
	1/4NPT, SUS316	2	80269535-010

DSTJ3000 New Ace	Electronic Differential Pressure Transmitter	JTD,JTF,JTR,JTG JTU,JTA,JTC,JTE JTH,JTS	1st Edit : 98.10.1 Rev.(2) : 01.9.1	PL2-DST100-9501 10 of 40
---------------------	---	---	--	-----------------------------

Meter Body Assembly

JTD920/930 : Standard($\phi 60$)



DSTJ3000 New Ace	Electronic Differential Pressure Transmitter	JTD,JTF,JTR,JTG JTU,JTA,JTC,JTE JTH,JTS	1st Edit : 98.10.1 Rev.(2) : 01.9.1	PL2-DST100-9501 11 of 40
---------------------	---	---	--	-----------------------------

Meter Body Assembly

(3)Meter Body Assembly Parts List (Continued)

Key No.	Description	Quantity	Part No.
1	Center body assembly (With E/M assembly)	1	See Table(a)
2	Process flange	2	See Table(b)
3	Gasket	2	80277767-001
4	Bolts, SNB7	4	80277765-001
4	Bolts, SUS304	4	80277765-002
4	Bolts, SUS630	4	80277765-203
5	Nuts, S45C	4	80277766-001
5	Nuts, SUS304	4	80277766-002
5	Nuts, SUS630	4	80277766-003
6	Cover	2	80277979-001
7	Vent plug & Vent bushing	1set	See Table(c)
8	O-ring	1	80020935-825
9	Bolts, carbon steel	4	80271420-001
9	Bolts, SUS304	4	80271420-007
10	Flange adapter	2	See Table(d)
11	Gasket	2	80274742-001

DSTJ3000 New Ace	Electronic Differential Pressure Transmitter	JTD,JTF,JTR,JTG JTU,JTA,JTC,JTE JTH,JTS	1st Edit : 98.10.1 Rev.(2) : 01.9.1	PL2-DST100-9501 12 of 40
---------------------	---	---	--	-----------------------------

Meter Body Assembly

(3) Meter Body Assembly Parts List (Continued)

Table(a) : JTD920 Center body(Wetted parts material : SUS316)

Key No.	Description	Quantity	Part No.
1	Silicone oil (With E/M assembly St'd Burnout NA)	1set	80370452-001
1	Silicone oil (With E/M assembly St'd Burnout up)	1set	80370452-101
1	Silicone oil (With E/M assembly St'd Burnout down)	1set	80370452-201
1	Silicone oil (With E/M assembly Analog FSK communication Burnout NA)	1set	80370452-301
1	Silicone oil (With E/M assembly Analog FSK communication Burnout up)	1set	80370452-401
1	Silicone oil (With E/M assembly Analog FSK communication Burnout down)	1set	80370452-501
1	Silicone oil (With E/M assembly Intrinsically safe Burnout NA)	1set	80370452-601
1	Silicone oil (With E/M assembly Intrinsically safe Burnout up)	1set	80370452-701
1	Silicone oil (With E/M assembly Intrinsically safe Burnout down)	1set	80370452-801
1	Fluorine oil (With E/M assembly St'd Burnout NA)	1set	80370452-011
1	Fluorine oil (With E/M assembly St'd Burnout up)	1set	80370452-111
1	Fluorine oil (With E/M assembly St'd Burnout down)	1set	80370452-211
1	Fluorine oil (With E/M assembly Analog FSK communication Burnout NA)	1set	80370452-311
1	Fluorine oil (With E/M assembly Analog FSK communication Burnout up)	1set	80370452-411
1	Fluorine oil (With E/M assembly Analog FSK communication Burnout down)	1set	80370452-511
1	Fluorine oil (With E/M assembly Intrinsically safe Burnout NA)	1set	80370452-611
1	Fluorine oil (With E/M assembly Intrinsically safe Burnout up)	1set	80370452-711
1	Fluorine oil (With E/M assembly Intrinsically safe Burnout down)	1set	80370452-811

DSTJ3000 New Ace	Electronic Differential Pressure Transmitter	JTD,JTF,JTR,JTG JTU,JTA,JTC,JTE JTH,JTS	1st Edit : 98.10.1 Rev.(2) : 01.9.1	PL2-DST100-9501 13 of 40
---------------------	---	---	--	-----------------------------

Meter Body Assembly

(3)Meter Body Assembly Parts List (Continued)

Table(a) : JTD930 Center body(Wetted parts material : SUS316)

Key No.	Description	Quantity	Part No.
1	Silicone oil (With E/M assembly St'd Burnout NA)	1set	80370452-003
1	Silicone oil (With E/M assembly St'd Burnout up)	1set	80370452-103
1	Silicone oil (With E/M assembly St'd Burnout down)	1set	80370452-203
1	Silicone oil (With E/M assembly Analog FSK communication Burnout NA)	1set	80370452-303
1	Silicone oil (With E/M assembly Analog FSK communication Burnout up)	1set	80370452-403
1	Silicone oil (With E/M assembly Analog FSK communication Burnout down)	1set	80370452-503
1	Silicone oil (With E/M assembly Intrinsically safe Burnout NA)	1set	80370452-603
1	Silicone oil (With E/M assembly Intrinsically safe Burnout up)	1set	80370452-703
1	Silicone oil (With E/M assembly Intrinsically safe Burnout down)	1set	80370452-803
1	Fluorine oil (With E/M assembly St'd Burnout NA)	1set	80370452-013
1	Fluorine oil (With E/M assembly St'd Burnout up)	1set	80370452-113
1	Fluorine oil (With E/M assembly St'd Burnout down)	1set	80370452-213
1	Fluorine oil (With E/M assembly Analog FSK communication Burnout NA)	1set	80370452-313
1	Fluorine oil (With E/M assembly Analog FSK communication Burnout up)	1set	80370452-413
1	Fluorine oil (With E/M assembly Analog FSK communication Burnout down)	1set	80370452-513
1	Fluorine oil (With E/M assembly Intrinsically safe Burnout NA)	1set	80370452-613
1	Fluorine oil (With E/M assembly Intrinsically safe Burnout up)	1set	80370452-713
1	Fluorine oil (With E/M assembly Intrinsically safe Burnout down)	1set	80370452-813

DSTJ3000 New Ace	Electronic Differential Pressure Transmitter	JTD,JTF,JTR,JTG JTU,JTA,JTC,JTE JTH,JTS	1st Edit : 98.10.1 Rev.(2) : 01.9.1	PL2-DST100-9501 14 of 40
---------------------	---	---	--	-----------------------------

Meter Body Assembly

(3) Meter Body Assembly Parts List (Continued)

Table(b) : Process flange

Key No.	Description	Quantity	Part No.	Process connection
2	Rc1/4, Carbon steel Zn Plating	2	80277768-001	Top & bottom
	Rc1/4, SUS316	2	80277768-002	Top & bottom
	Rc1/4, Carbon steel Ni Plating	2	80277768-901	Top & bottom
	1/4NPT, Carbon steel Zn Plating	2	80277768-003	Top & bottom
	1/4NPT, SUS316	2	80277768-004	Top & bottom
	1/4NPT, Carbon steel Ni Plating	2	80277768-903	Top & bottom

Table(c) : Vent plug & Vent bushing

Key No.	Description	Quantity	Part No.
7	Rc1/4, SUS316, St'd	1set	80277977-001
	1/4NPT, SUS316, St'd	1set	80277977-002
	Rc1/4, SUS316, Long type	1set	80277977-005
	1/4NPT, SUS316, Long type	1set	80277977-006

Table(d) : Flange adapter

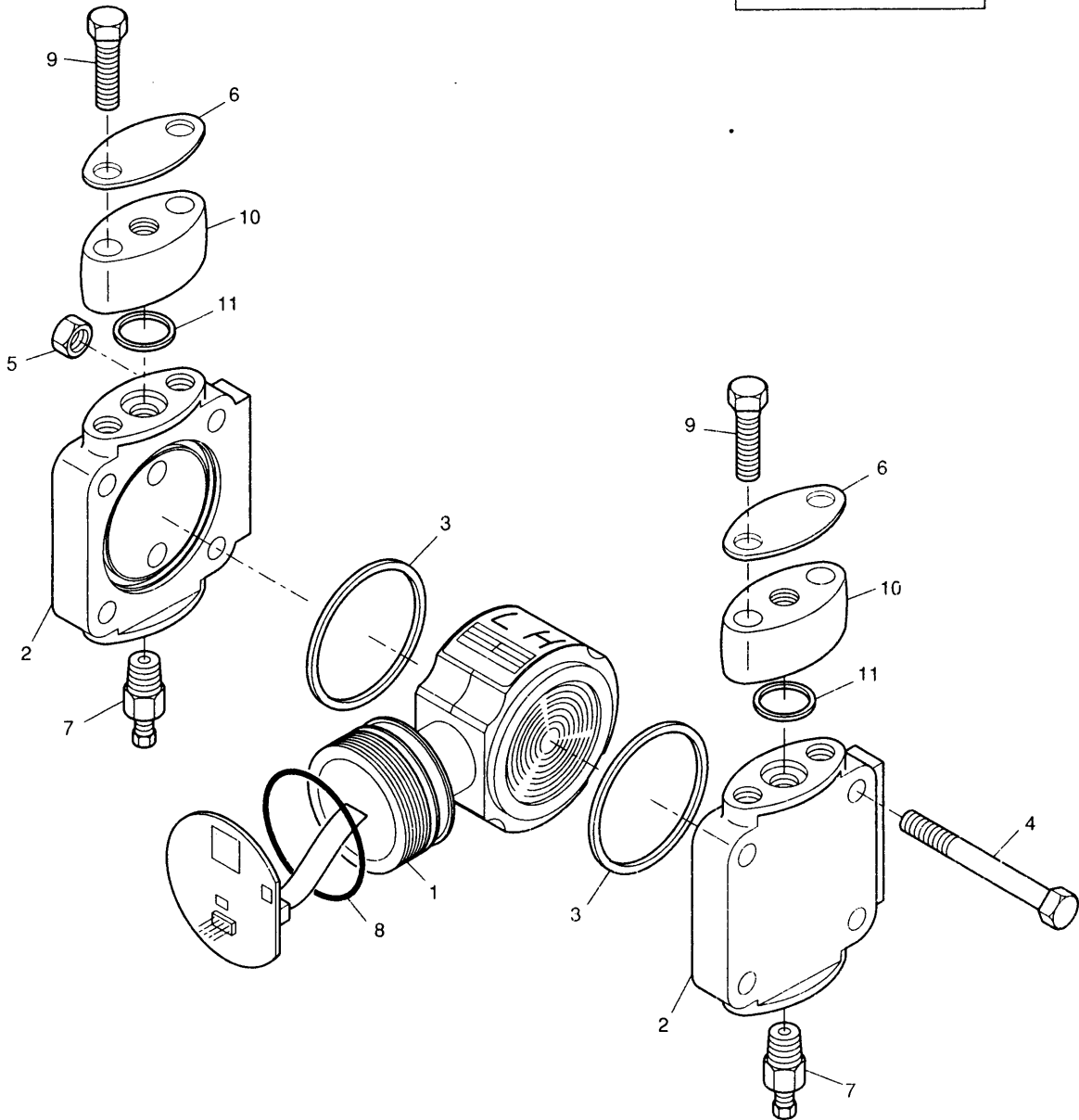
Key No.	Description	Quantity	Part No.
10	Rc1/2, Carbon steel Zn plating	2	80269535-001
	Rc1/2, SUS316	2	80269535-002
	Rc1/2, Carbon steel Ni plating	2	80269535-901
	1/2NPT, Carbon steel Zn plating	2	80269535-004
	1/2NPT, SUS316	2	80269535-005
	1/2NPT, Carbon steel Ni plating	2	80269535-904
	Rc1/4, Carbon steel Zn plating	2	80269535-007
	Rc1/4, SUS316	2	80269535-008
	Rc1/4, Carbon steel Ni plating	2	80269535-907
	1/4NPT, Carbon steel Zn plating	2	80269535-009
	1/4NPT, SUS316	2	80269535-010
	1/4NPT, Carbon steel Ni plating	2	80269535-909

DSTJ3000 New Ace	Electronic Differential Pressure Transmitter	JTD,JTF,JTR,JTG JTU,JTA,JTC,JTE JTH,JTS	1st Edit : 98.10.1 Rev.(2) : 01.9.1	PL2-DST100-9501 15 of 40
---------------------	---	---	--	-----------------------------

Meter Body Assembly

JTD960 : Standard(φ 80)

Wetted parts material
SUS316



DSTJ3000 New Ace	Electronic Differential Pressure Transmitter	JTD,JTF,JTR,JTG JTU,JTA,JTC,JTE JTH,JTS	1st Edit : 98.10.1 Rev.(2) : 01.9.1	PL2-DST100-9501 16 of 40
---------------------	---	---	--	-----------------------------

Meter Body Assembly

(3) Meter Body Assembly Parts List (Continued)

Key No.	Description	Quantity	Part No.
1	Center body assembly, St'd (With E/M assembly)	1set	See Table(a)
2	Process flange	2	See Table(b)
3	Gasket	2	80276388-001
4	Bolts, SNB7 or carbon steel	4	80276389-001
4	Bolts, SUS304	4	80276389-003
4	Bolts, SUS630	4	80276389-301
5	Nuts, S45C	4	80276390-001
5	Nuts, SUS304	4	80276390-002
5	Nuts, SUS630	4	80276390-003
6	Cover	2	80277979-001
7	Vent plug & Vent bushing	1set	See Table(c)
8	O-ring	1	80020935-825
9	Bolts, SNB7 or carbon steel	4	80271420-001
9	Bolts, SUS304	4	80271420-007
10	Flange adapter	2	See Table(d)
11	Gasket	2	80274742-001

DSTJ3000 New Ace	Electronic Differential Pressure Transmitter	JTD,JTF,JTR,JTG JTU,JTA,JTC,JTE JTH,JTS	1st Edit : 98.10.1 Rev.(2) : 01.9.1	PL2-DST100-9501 17 of 40
---------------------	---	---	--	-----------------------------

Meter Body Assembly

(3) Meter Body Assembly Parts List (Continued)

Table(a) : JTD960 Center body(Wetted parts material : SUS316)

Key No.	Description	Quantity	Part No.
1	Silicone oil (With E/M assembly St'd Burnout NA)	1set	80370452-007
1	Silicone oil (With E/M assembly St'd Burnout up)	1set	80370452-107
1	Silicone oil (With E/M assembly St'd Burnout down)	1set	80370452-207
1	Silicone oil (With E/M assembly Analog FSK communication Burnout NA)	1set	80370452-307
1	Silicone oil (With E/M assembly Analog FSK communication Burnout up)	1set	80370452-407
1	Silicone oil (With E/M assembly Analog FSK communication Burnout down)	1set	80370452-507
1	Silicone oil (With E/M assembly Intrinsically safe Burnout NA)	1set	80370452-607
1	Silicone oil (With E/M assembly Intrinsically safe Burnout up)	1set	80370452-707
1	Silicone oil (With E/M assembly Intrinsically safe Burnout down)	1set	80370452-807
1	Fluorine oil (With E/M assembly St'd Burnout NA)	1set	80370452-017
1	Fluorine oil (With E/M assembly St'd Burnout up)	1set	80370452-117
1	Fluorine oil (With E/M assembly St'd Burnout down)	1set	80370452-217
1	Fluorine oil (With E/M assembly Analog FSK communication Burnout NA)	1set	80370452-317
1	Fluorine oil (With E/M assembly Analog FSK communication Burnout up)	1set	80370452-417
1	Fluorine oil (With E/M assembly Analog FSK communication Burnout down)	1set	80370452-517
1	Fluorine oil (With E/M assembly Intrinsically safe Burnout NA)	1set	80370452-617
1	Fluorine oil (With E/M assembly Intrinsically safe Burnout up)	1set	80370452-717
1	Fluorine oil (With E/M assembly Intrinsically safe Burnout down)	1set	80370452-817

DSTJ3000 New Ace	Electronic Differential Pressure Transmitter	JTD,JTF,JTR,JTG JTU,JTA,JTC,JTE JTH,JTS	1st Edit : 98.10.1 Rev.(2) : 01.9.1	PL2-DST100-9501 18 of 40
---------------------	---	---	--	-----------------------------

Meter Body Assembly

(3) Meter Body Assembly Parts List (Continued)

Table(b) : Process flange

Key No.	Description	Quantity	Part No.	Process connection
2	Rc1/4, Carbon steel Zn Plate	2	80277768-001	Top & bottom
2	Rc1/4, SUS316	2	80277768-002	Top & bottom
2	Rc1/4, Carbon steel Ni Plate	2	80277768-901	Top & bottom
2	1/4NPT, Carbon steel Zn Plate	2	80277768-003	Top & bottom
2	1/4NPT, SUS316	2	80277768-004	Top & bottom
2	1/4NPT, Carbon steel Ni Plate	2	80277768-903	Top & bottom

Table(c) : Vent plug & Vent bushing

Key No.	Description	Quantity	Part No.
7	Rc1/4, SUS316, St'd	1set	80277977-001
	1/4NPT, SUS316, St'd	1set	80277977-002
	Rc1/4, SUS316, Long type	1set	80277977-005
	1/4NPT, SUS316, Long type	1set	80277977-006

Table(d) : Flange adapter(Key.No.10)

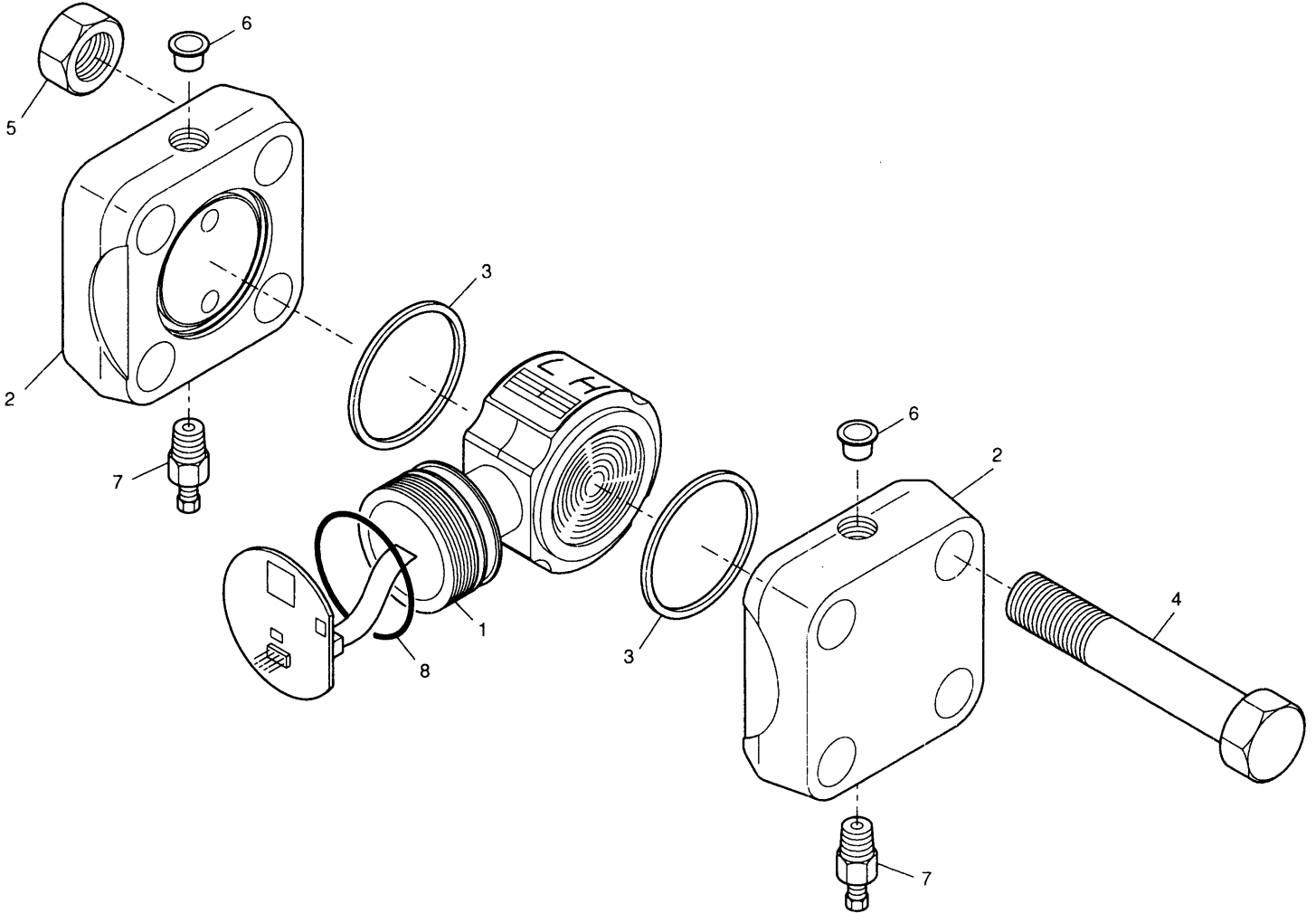
Connection	Description	Quantity	Part No.
Rc1/2	Carbon steel Zn plate	2	80269535-001
Rc1/2	SUS316	2	80269535-002
Rc1/2	Carbon steel Ni plate	2	80269535-901
1/2NPT	Carbon steel Zn plate	2	80269535-004
1/2NPT	SUS316	2	80269535-005
1/2NPT	Carbon steel Ni plate	2	80269535-904
Rc1/4	Carbon steel Zn plate	2	80269535-007
Rc1/4	SUS316	2	80269535-008
Rc1/4	Carbon steel Ni plate	2	80269535-907
1/4NPT	Carbon steel Zn plate	2	80269535-009
1/4NPT	SUS316	2	80269535-010
1/4NPT	Carbon steel Ni plate	2	80269535-909

DSTJ3000 New Ace	Electronic Differential Pressure Transmitter	JTD,JTF,JTR,JTG JTU,JTA,JTC,JTE JTH,JTS	1st Edit : 98.10.1 Rev.(2) : 01.9.1	PL2-DST100-9501 19 of 40
---------------------	---	---	--	-----------------------------

Meter Body Assembly

JTD921/931/961 : High Pressure Type

Wetted parts material
SUS316



DSTJ3000 New Ace	Electronic Differential Pressure Transmitter	JTD,JTF,JTR,JTG JTU,JTA,JTC,JTE JTH,JTS	1st Edit : 98.10.1 Rev.(2) : 01.9.1	PL2-DST100-9501 20 of 40
---------------------	---	---	--	-----------------------------

Meter Body Assembly

(3)Meter Body Assembly Parts List (Continued)

Key No.	Description	Quantity	Part No.
1	Center body assembly, St'd (With E/M assembly)	1 set	See Table(a)
2	Process Flange	2	See Table(b)
3	Gasket	2	80276388-001
4	Bolts, SNB7	4	80277115-001
4	Bolts, SUS304	4	80277115-002
4	Bolts, SUS630	4	80277115-203
5	Nuts, S45C	4	80277116-001
5	Nuts, SUS304	4	80277116-002
5	Nuts, SUS630	4	80277116-003
6	Plastic plug,Rc1/2, 1/2NPT	2	HS400006-000
6	Plastic plug,Rc1/4, 1/4NPT	2	HS400002-000
7	Vent plug & Vent bushing	1 set	See Table(c)
8	O-ring	1	80020935-825

DSTJ3000 New Ace	Electronic Differential Pressure Transmitter	JTD,JTF,JTR,JTG JTU,JTA,JTC,JTE JTH,JTS	1st Edit : 98.10.1 Rev.(2) : 01.9.1	PL2-DST100-9501 21 of 40
---------------------	---	---	--	-----------------------------

Meter Body Assembly

(3)Meter Body Assembly Parts List (Continued)

Table(a) : JTD921 Center body(Wetted parts material : SUS316)

Key No.	Description	Quantity	Part No.
1	Silicone oil (With E/M assembly St'd Burnout NA)	1set	80370452-005
1	Silicone oil (With E/M assembly St'd Burnout up)	1set	80370452-105
1	Silicone oil (With E/M assembly St'd Burnout down)	1set	80370452-205
1	Silicone oil (With E/M assembly Analog FSK communication Burnout NA)	1set	80370452-305
1	Silicone oil (With E/M assembly Analog FSK communication Burnout up)	1set	80370452-405
1	Silicone oil (With E/M assembly Analog FSK communication Burnout down)	1set	80370452-505
1	Silicone oil (With E/M assembly Intrinsically safe Burnout NA)	1set	80370452-605
1	Silicone oil (With E/M assembly Intrinsically safe Burnout up)	1set	80370452-705
1	Silicone oil (With E/M assembly Intrinsically safe Burnout down)	1set	80370452-805
1	Fluorine oil (With E/M assembly St'd Burnout NA)	1set	80370452-015
1	Fluorine oil (With E/M assembly St'd Burnout up)	1set	80370452-115
1	Fluorine oil (With E/M assembly St'd Burnout down)	1set	80370452-215
1	Fluorine oil (With E/M assembly Analog FSK communication Burnout NA)	1set	80370452-315
1	Fluorine oil (With E/M assembly Analog FSK communication Burnout up)	1set	80370452-415
1	Fluorine oil (With E/M assembly Analog FSK communication Burnout down)	1set	80370452-515
1	Fluorine oil (With E/M assembly Intrinsically safe Burnout NA)	1set	80370452-615
1	Fluorine oil (With E/M assembly Intrinsically safe Burnout up)	1set	80370452-715
1	Fluorine oil (With E/M assembly Intrinsically safe Burnout down)	1set	80370452-815

DSTJ3000 New Ace	Electronic Differential Pressure Transmitter	JTD,JTF,JTR,JTG JTU,JTA,JTC,JTE JTH,JTS	1st Edit : 98.10.1 Rev.(2) : 01.9.1	PL2-DST100-9501 22 of 40
---------------------	---	---	--	-----------------------------

Meter Body Assembly

(3)Meter Body Assembly Parts List (Continued)

Table(a) : JTD931 Center body(Wetted parts material : SUS316)

Key No.	Description	Quantity	Part No.
1	Silicone oil (With E/M assembly St'd Burnout NA)	1set	80370452-006
1	Silicone oil (With E/M assembly St'd Burnout up)	1set	80370452-106
1	Silicone oil (With E/M assembly St'd Burnout down)	1set	80370452-206
1	Silicone oil (With E/M assembly Analog FSK communication Burnout NA)	1set	80370452-306
1	Silicone oil (With E/M assembly Analog FSK communication Burnout up)	1set	80370452-406
1	Silicone oil (With E/M assembly Analog FSK communication Burnout down)	1set	80370452-506
1	Silicone oil (With E/M assembly Intrinsically safe Burnout NA)	1set	80370452-606
1	Silicone oil (With E/M assembly Intrinsically safe Burnout up)	1set	80370452-706
1	Silicone oil (With E/M assembly Intrinsically safe Burnout down)	1set	80370452-806
1	Fluorine oil (With E/M assembly St'd Burnout NA)	1set	80370452-016
1	Fluorine oil (With E/M assembly St'd Burnout up)	1set	80370452-116
1	Fluorine oil (With E/M assembly St'd Burnout down)	1set	80370452-216
1	Fluorine oil (With E/M assembly Analog FSK communication Burnout NA)	1set	80370452-316
1	Fluorine oil (With E/M assembly Analog FSK communication Burnout up)	1set	80370452-416
1	Fluorine oil (With E/M assembly Analog FSK communication Burnout down)	1set	80370452-516
1	Fluorine oil (With E/M assembly Intrinsically safe Burnout NA)	1set	80370452-616
1	Fluorine oil (With E/M assembly Intrinsically safe Burnout up)	1set	80370452-716
1	Fluorine oil (With E/M assembly Intrinsically safe Burnout down)	1set	80370452-816

DSTJ3000 New Ace	Electronic Differential Pressure Transmitter	JTD,JTF,JTR,JTG JTU,JTA,JTC,JTE JTH,JTS	1st Edit : 98.10.1 Rev.(2) : 01.9.1	PL2-DST100-9501 23 of 40
---------------------	---	---	--	-----------------------------

Meter Body Assembly

(3)Meter Body Assembly Parts List (Continued)

Table(a) : JTD961 Center body(Wetted parts material : SUS316)

Key No.	Description	Quantity	Part No.
1	Silicone oil (With E/M assembly St'd Burnout NA)	1set	80370452-007
1	Silicone oil (With E/M assembly St'd Burnout up)	1set	80370452-107
1	Silicone oil (With E/M assembly St'd Burnout down)	1set	80370452-207
1	Silicone oil (With E/M assembly Analog FSK communication Burnout NA)	1set	80370452-307
1	Silicone oil (With E/M assembly Analog FSK communication Burnout up)	1set	80370452-407
1	Silicone oil (With E/M assembly Analog FSK communication Burnout down)	1set	80370452-507
1	Silicone oil (With E/M assembly Intrinsically safe Burnout NA)	1set	80370452-607
1	Silicone oil (With E/M assembly Intrinsically safe Burnout up)	1set	80370452-707
1	Silicone oil (With E/M assembly Intrinsically safe Burnout down)	1set	80370452-807
1	Fluorine oil (With E/M assembly St'd Burnout NA)	1set	80370452-017
1	Fluorine oil (With E/M assembly St'd Burnout up)	1set	80370452-117
1	Fluorine oil (With E/M assembly St'd Burnout down)	1set	80370452-217
1	Fluorine oil (With E/M assembly Analog FSK communication Burnout NA)	1set	80370452-317
1	Fluorine oil (With E/M assembly Analog FSK communication Burnout up)	1set	80370452-417
1	Fluorine oil (With E/M assembly Analog FSK communication Burnout down)	1set	80370452-517
1	Fluorine oil (With E/M assembly Intrinsically safe Burnout NA)	1set	80370452-617
1	Fluorine oil (With E/M assembly Intrinsically safe Burnout up)	1set	80370452-717
1	Fluorine oil (With E/M assembly Intrinsically safe Burnout down)	1set	80370452-817

DSTJ3000 New Ace	Electronic Differential Pressure Transmitter	JTD,JTF,JTR,JTG JTU,JTA,JTC,JTE JTH,JTS	1st Edit : 98.10.1 Rev.(2) : 01.9.1	PL2-DST100-9501 24 of 40
---------------------	---	---	--	-----------------------------

Meter Body Assembly

(3) Meter Body Assembly Parts List (Continued)

Table(b) : Process flange

Key No.	Description	Process connection	Quantity	Part No.
2	Rc1/4, Carbon steel Zn Plate	Top & bottom	2	80277100-011
2	Rc1/4, SUS316	Top & bottom	2	80277100-021
2	Rc1/4, Carbon steel Ni Plate	Top & bottom	2	80277100-911
2	1/4NPT, Carbon steel Zn Plate	Top & bottom	2	80277100-012
2	1/4NPT, SUS316	Top & bottom	2	80277100-022
2	1/4NPT, Carbon steel Ni Plate	Top & bottom	2	80277100-912

HP side

2	Rc1/2, Carbon steel Zn Plate	Top	1	80370200-011
2	Rc1/2, SUS316	Top	1	80370200-021
2	Rc1/2, Carbon steel Ni Plate	Top	1	80370200-911
2	1/2NPT, Carbon steel Zn Plate	Top	1	80370200-012
2	1/2NPT, SUS316	Top	1	80370200-022
2	1/2NPT, Carbon steel Ni Plate	Top	1	80370200-912
2	Rc1/2, Carbon steel Zn Plate	Bottom	1	80370199-011
2	Rc1/2, SUS316	Bottom	1	80370199-021
2	Rc1/2, Carbon steel Ni Plate	Bottom	1	80370199-911
2	1/2NPT, Carbon steel Zn Plate	Bottom	1	80370199-012
2	1/2NPT, SUS316	Bottom	1	80370199-022
2	1/2NPT, Carbon steel Ni Plate	Bottom	1	80370199-912

LP side

2	Rc1/2, Carbon steel Zn Plate	Top	1	80370199-011
2	Rc1/2, SUS316	Top	1	80370199-021
2	Rc1/2, Carbon steel Ni Plate	Top	1	80370199-911
2	1/2NPT, Carbon steel Zn Plate	Top	1	80370199-012
2	1/2NPT, SUS316	Top	1	80370199-022
2	1/2NPT, Carbon steel Ni Plate	Top	1	80370199-912
2	Rc1/2, Carbon steel Zn Plate	Bottom	1	80370200-011
2	Rc1/2, SUS316	Bottom	1	80370200-021
2	Rc1/2, Carbon steel Ni Plate	Bottom	1	80370200-911
2	1/2NPT, Carbon steel Zn Plate	Bottom	1	80370200-012
2	1/2NPT, SUS316	Bottom	1	80370200-022
2	1/2NPT, Carbon steel Ni Plate	Bottom	1	80370200-912

Table(c) : Vent plug & Vent bushing

Key No.	Description	Quantity	Part No.
7	Rc1/4, SUS316, St'd	1set	80277977-001
	1/4NPT, SUS316, St'd	1set	80277977-002
	Rc1/4, SUS316, Long type	1set	80277977-005
	1/4NPT, SUS316, Long type	1set	80277977-006

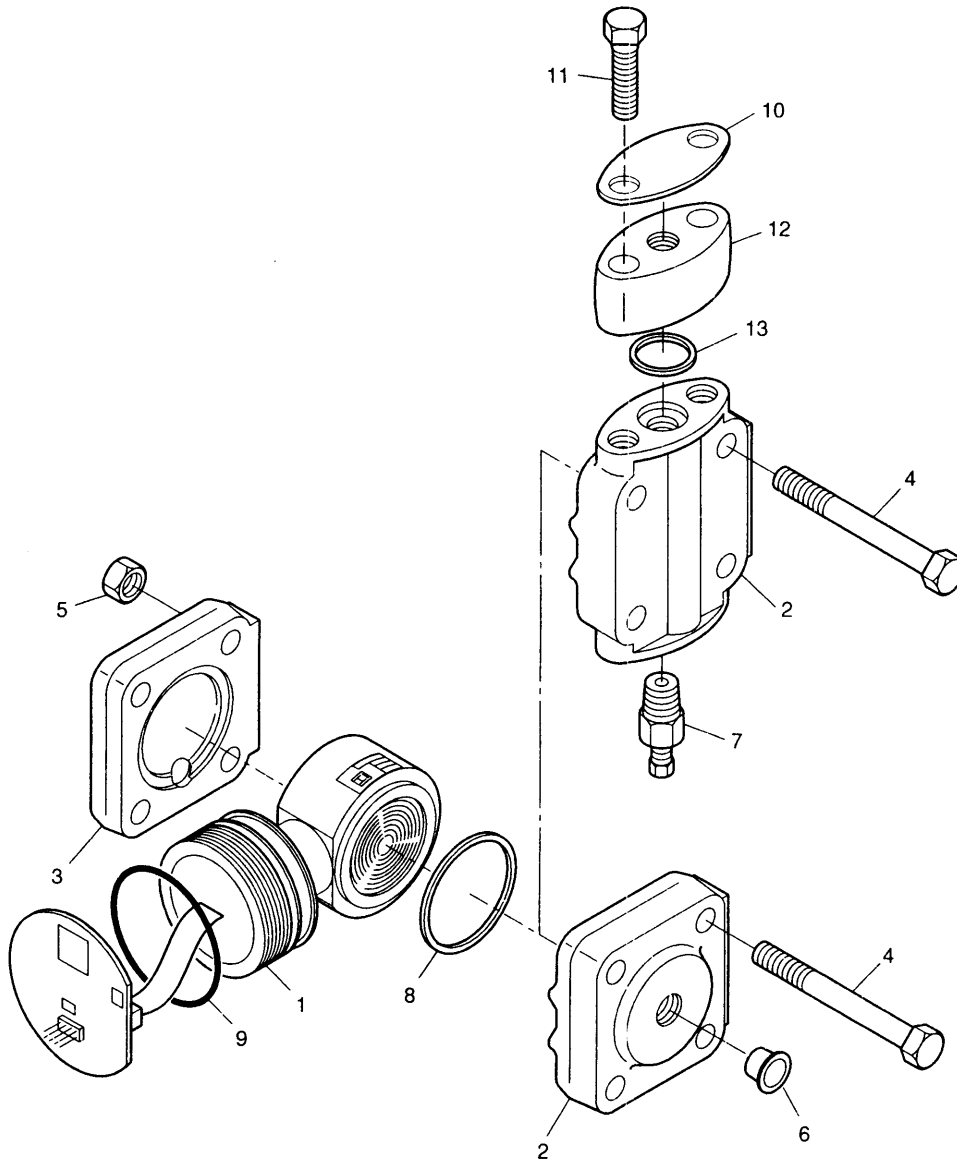
DSTJ3000 New Ace	Electronic Differential Pressure Transmitter	JTD,JTF,JTR,JTG JTU,JTA,JTC,JTE JTH,JTS	1st Edit : 98.10.1 Rev.(2) : 01.9.1	PL2-DST100-9501 25 of 40
---------------------	---	---	--	-----------------------------

Meter Body Assembly

JTG940

JTG960

Wetted parts material SUS316



DSTJ3000 New Ace	Electronic Differential Pressure Transmitter	JTD,JTF,JTR,JTG JTU,JTA,JTC,JTE JTH,JTS	1st Edit : 98.10.1 Rev.(2) : 01.9.1	PL2-DST100-9501 26 of 40
---------------------	---	---	--	-----------------------------

Meter Body Assembly

(3)Meter Body Assembly Parts List (Continued)

Key No.	Description	Quantity	Part No.
1	Center body assembly (With E/M assembly)	1set	See Table(a)
2	Process flange(HP side)	1	See Table(b)
3	Process flange(LP side), c.s Zn plate	1	80277774-001
3	Process flange(LP side), SUS304	1	80277774-002
3	Process flange(LP side), c.s Ni plate	1	80277774-901
4	Bolts, SNB7	4	80277765-001
4	Bolts, SUS304	4	80277765-002
4	Bolts, SUS630	4	80277765-003
5	Nuts, S45C	4	80277766-001
5	Nuts, SUS304	4	80277766-002
5	Nuts, SUS630	4	80277766-003
6	Plastic plug,Rc1/2, 1/2NPT	1	HS400006-000
6	Plastic plug,Rc1/4, 1/4NPT	1	HS400002-000
7	Vent plug & Vent bushing	1set	See Table(c)
8	Gasket	1	80277767-001
9	O-ring	1	80020935-825
10	Cover	1	80277979-001
11	Bolts, carbon steel	2	80271420-001
11	Bolts, SUS304	2	80271420-007
12	Flange adapter	1	See Table(d)
13	Gasket	1	80274742-001

DSTJ3000 New Ace	Electronic Differential Pressure Transmitter	JTD,JTF,JTR,JTG JTU,JTA,JTC,JTE JTH,JTS	1st Edit : 98.10.1 Rev.(2) : 01.9.1	PL2-DST100-9501 27 of 40
---------------------	---	---	--	-----------------------------

Meter Body Assembly

(3)Meter Body Assembly Parts List (Continued)

Table(a) : JTG940 Center body(Wetted parts material : SUS316)

Key No.	Description	Quantity	Part No.
1	Silicone oil (With E/M assembly St'd Burnout NA)	1set	80370453-001
1	Silicone oil (With E/M assembly St'd Burnout up)	1set	80370453-101
1	Silicone oil (With E/M assembly St'd Burnout down)	1set	80370453-201
1	Silicone oil (With E/M assembly Analog FSK communication Burnout NA)	1set	80370453-301
1	Silicone oil (With E/M assembly Analog FSK communication Burnout up)	1set	80370453-401
1	Silicone oil (With E/M assembly Analog FSK communication Burnout down)	1set	80370453-501
1	Silicone oil (With E/M assembly Intrinsically safe Burnout NA)	1set	80370453-601
1	Silicone oil (With E/M assembly Intrinsically safe Burnout up)	1set	80370453-701
1	Silicone oil (With E/M assembly Intrinsically safe Burnout down)	1set	80370453-801
1	Fluorine oil (With E/M assembly St'd Burnout NA)	1set	80370453-011
1	Fluorine oil (With E/M assembly St'd Burnout up)	1set	80370453-111
1	Fluorine oil (With E/M assembly St'd Burnout down)	1set	80370453-211
1	Fluorine oil (With E/M assembly Analog FSK communication Burnout NA)	1set	80370453-311
1	Fluorine oil (With E/M assembly Analog FSK communication Burnout up)	1set	80370453-411
1	Fluorine oil (With E/M assembly Analog FSK communication Burnout down)	1set	80370453-511
1	Fluorine oil (With E/M assembly Intrinsically safe Burnout NA)	1set	80370453-611
1	Fluorine oil (With E/M assembly Intrinsically safe Burnout up)	1set	80370453-711
1	Fluorine oil (With E/M assembly Intrinsically safe Burnout down)	1set	80370453-811

DSTJ3000 New Ace	Electronic Differential Pressure Transmitter	JTD,JTF,JTR,JTG JTU,JTA,JTC,JTE JTH,JTS	1st Edit : 98.10.1 Rev.(2) : 01.9.1	PL2-DST100-9501 28 of 40
---------------------	---	---	--	-----------------------------

Meter Body Assembly

(3)Meter Body Assembly Parts List (Continued)

Table(a) : JTG960 Center body(Wetted parts material : SUS316)

Key No.	Description	Quantity	Part No.
1	Silicone oil (With E/M assembly St'd Burnout NA)	1set	80370453-002
1	Silicone oil (With E/M assembly St'd Burnout up)	1set	80370453-102
1	Silicone oil (With E/M assembly St'd Burnout down)	1set	80370453-202
1	Silicone oil (With E/M assembly Analog FSK communication Burnout NA)	1set	80370453-302
1	Silicone oil (With E/M assembly Analog FSK communication Burnout up)	1set	80370453-402
1	Silicone oil (With E/M assembly Analog FSK communication Burnout down)	1set	80370453-502
1	Silicone oil (With E/M assembly Intrinsically safe Burnout NA)	1set	80370453-602
1	Silicone oil (With E/M assembly Intrinsically safe Burnout up)	1set	80370453-702
1	Silicone oil (With E/M assembly Intrinsically safe Burnout down)	1set	80370453-802
1	Fluorine oil (With E/M assembly St'd Burnout NA)	1set	80370453-012
1	Fluorine oil (With E/M assembly St'd Burnout up)	1set	80370453-112
1	Fluorine oil (With E/M assembly St'd Burnout down)	1set	80370453-212
1	Fluorine oil (With E/M assembly Analog FSK communication Burnout NA)	1set	80370453-312
1	Fluorine oil (With E/M assembly Analog FSK communication Burnout up)	1set	80370453-412
1	Fluorine oil (With E/M assembly Analog FSK communication Burnout down)	1set	80370453-512
1	Fluorine oil (With E/M assembly Intrinsically safe Burnout NA)	1set	80370453-612
1	Fluorine oil (With E/M assembly Intrinsically safe Burnout up)	1set	80370453-712
1	Fluorine oil (With E/M assembly Intrinsically safe Burnout down)	1set	80370453-812

DSTJ3000 New Ace	Electronic Differential Pressure Transmitter	JTD,JTF,JTR,JTG JTU,JTA,JTC,JTE JTH,JTS	1st Edit : 98.10.1 Rev.(2) : 01.9.1	PL2-DST100-9501 29 of 40
---------------------	---	---	--	-----------------------------

Meter Body Assembly

(3) Meter Body Assembly Parts List (Continued)

Table(b) : Process Flange : HP side

Key No.	Description	Process connection	Quantity	Part No.
2	Rc1/4,Carbon steel Zn Plate	Top & bottom	1	80277768-001
2	Rc1/4, SUS316	Top & bottom	1	80277768-002
2	Rc1/4, Carbon steel Ni Plate	Top & bottom	1	80277768-901
2	1/4NPT,Carbon steel Zn Plate	Top & bottom	1	80277768-003
2	1/4NPT, SUS316	Top & bottom	1	80277768-004
2	1/4NPT, Carbon steel Ni Plate	Top & bottom	1	80277768-903
2	Rc1/4,Carbon steel Zn Plate	Side	1	80277772-011
2	Rc1/4, SUS316	Side	1	80277772-021
2	Rc1/4, Carbon steel Ni Plate	Side	1	80277772-911
2	1/4NPT,Carbon steel Zn Plate	Side	1	80277772-012
2	1/4NPT, SUS316	Side	1	80277772-022
2	1/4NPT, Carbon steel Ni Plate	Side	1	80277772-912
2	Rc1/2,Carbon steel Zn Plate	Side	1	80277772-013
2	Rc1/2, SUS316	Side	1	80277772-023
2	Rc1/2, Carbon steel Ni Plate	Side	1	80277772-913
2	1/2NPT,Carbon steel Zn Plate	Side	1	80277772-014
2	1/2NPT, SUS316	Side	1	80277772-024
2	1/2NPT, Carbon steel Ni Plate	Side	1	80277772-914

Table(c) : Vent plug & Vent bushing

Key No.	Description	Quantity	Part No.
7	Rc1/4, SUS316, St'd	1set	80277977-001
	1/4NPT, SUS316, St'd	1set	80277977-002
	Rc1/4, SUS316, Long type	1set	80277977-005
	1/4NPT, SUS316, Long type	1set	80277977-006

Table(d) : Flange adapter(Key No.12)

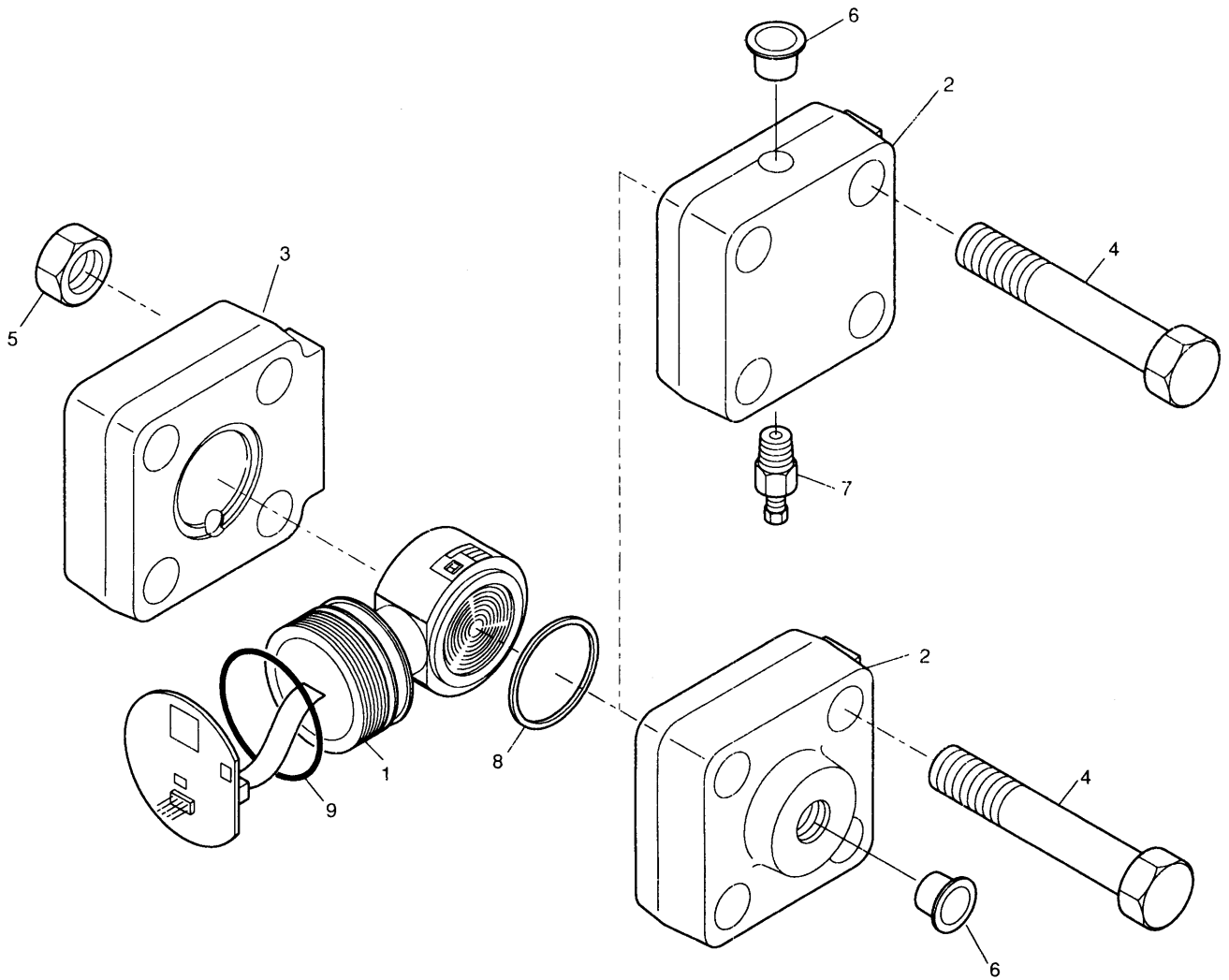
Connction	Description	Quantity	Part No.
Rc1/2	Carbon steel Zn plate	2	80269535-001
Rc1/2	SUS316	2	80269535-002
Rc1/2	Carbon steel Ni plate	2	80269535-901
1/2NPT	Carbon steel Zn plate	2	80269535-004
1/2NPT	SUS316	2	80269535-005
1/2NPT	Carbon steel Ni plate	2	80269535-904
Rc1/4	Carbon steel Zn plate	2	80269535-007
Rc1/4	SUS316	2	80269535-008
Rc1/4	Carbon steel Ni plate	2	80269535-907
1/4NPT	Carbon steel Zn plate	2	80269535-009
1/4NPT	SUS316	2	80269535-010
1/4NPT	Carbon steel Ni plate	2	80269535-909

DSTJ3000 New Ace	Electronic Differential Pressure Transmitter	JTD,JTF,JTR,JTG JTU,JTA,JTC,JTE JTH,JTS	1st Edit : 98.10.1 Rev.(2) : 01.9.1	PL2-DST100-9501 30 of 40
---------------------	---	---	--	-----------------------------

Meter Body Assembly

JTG980

Wetted parts material SUS316



DSTJ3000 New Ace	Electronic Differential Pressure Transmitter	JTD,JTF,JTR,JTG JTU,JTA,JTC,JTE JTH,JTS	1st Edit : 98.10.1 Rev.(2) : 01.9.1	PL2-DST100-9501 31 of 40
---------------------	---	---	--	-----------------------------

Meter Body Assembly

(3)Meter Body Assembly Parts List (Continued)

Key No.	Description	Quantity	Part No.
1	Center body assembly, St'd (With E/M assembly)	1set	See Table(a)
2	Process flange(HP side)	1	See Table(b)
3	Process flange(LP side)	1	See Table(b)
4	Bolts, SNB7	4	80370246-001
4	Bolts, SUS304	4	80370246-002
4	Bolts, SUS630	4	80370246-203
5	Nuts, S45C	4	80370247-001
5	Nuts, SUS304	4	80370247-002
5	Nuts, SUS630	4	80370247-003
6	Plastic plug,Rc1/2, 1/2NPT	1	HS400006-000
6	Plastic plug,Rc1/4, 1/4NPT	1	HS400002-000
7	Vent plug & Vent bushing	1set	See Table(c)
8	Gasket	1	80277767-001
9	O-ring	1	80020935-825

DSTJ3000 New Ace	Electronic Differential Pressure Transmitter	JTD,JTF,JTR,JTG JTU,JTA,JTC,JTE JTH,JTS	1st Edit : 98.10.1 Rev.(2) : 01.9.1	PL2-DST100-9501 32 of 40
---------------------	---	---	--	-----------------------------

Meter Body Assembly

(3) Meter Body Assembly Parts List (Continued)

Table(a) : JTG980 Center body(Wetted parts material : SUS316)

Key No.	Description	Quantity	Part No.
1	Silicone oil (With E/M assembly St'd Burnout NA)	1set	80370453-003
1	Silicone oil (With E/M assembly St'd Burnout up)	1set	80370453-103
1	Silicone oil (With E/M assembly St'd Burnout down)	1set	80370453-203
1	Silicone oil (With E/M assembly Analog FSK communication Burnout NA)	1set	80370453-303
1	Silicone oil (With E/M assembly Analog FSK communication Burnout up)	1set	80370453-403
1	Silicone oil (With E/M assembly Analog FSK communication Burnout down)	1set	80370453-503
1	Silicone oil (With E/M assembly Intrinsically safe Burnout NA)	1set	80370453-603
1	Silicone oil (With E/M assembly Intrinsically safe Burnout up)	1set	80370453-703
1	Silicone oil (With E/M assembly Intrinsically safe Burnout down)	1set	80370453-803
1	w/oil free treatment (With E/M assembly St'd Burnout NA)	1set	80370453-013
1	w/oil free treatment (With E/M assembly St'd Burnout up)	1set	80370453-113
1	w/oil free treatment (With E/M assembly St'd Burnout down)	1set	80370453-213
1	w/oil free treatment (With E/M assembly Analog FSK communication Burnout NA)	1set	80370453-313
1	w/oil free treatment (With E/M assembly Analog FSK communication Burnout up)	1set	80370453-413
1	w/oil free treatment (With E/M assembly Analog FSK communication Burnout down)	1set	80370453-513
1	w/oil free treatment (With E/M assembly Intrinsically safe Burnout NA)	1set	80370453-613
1	w/oil free treatment (With E/M assembly Intrinsically safe Burnout up)	1set	80370453-713
1	Fluorine oil (With E/M assembly Intrinsically safe Burnout down)	1set	80370453-813

DSTJ3000 New Ace	Electronic Differential Pressure Transmitter	JTD,JTF,JTR,JTG JTU,JTA,JTC,JTE JTH,JTS	1st Edit : 98.10.1 Rev.(2) : 01.9.1	PL2-DST100-9501 33 of 40
---------------------	---	---	--	-----------------------------

Meter Body Assembly

(3) Meter Body Assembly Parts List (Continued)

Table(b) : Process flange(HP side)

Key No.	Description	Prosecc connection	Quantity	Part No.
2	Rc1/4, Carbon steel Zn Plate	Side	1	80370244-011
2	Rc1/4, SUS316	Side	1	80370244-021
2	Rc1/4, Carbon steel Ni Plate	Side	1	80370244-911
2	1/4NPT, Carbon steel Zn Plate	Side	1	80370244-012
2	1/4NPT, SUS316	Side	1	80370244-022
2	1/4NPT, Carbon steel Ni Plate	Side	1	80370244-912
2	Rc1/2, Carbon steel Zn Plate	Side	1	80370244-013
2	Rc1/2, SUS316	Side	1	80370244-023
2	Rc1/2, Carbon steel Ni Plate	Side	1	80370244-913
2	1/2NPT, Carbon steel Zn Plate	Side	1	(80370244-014
2	1/2NPT, SUS316	Side	1	80370244-024
2	1/2NPT, Carbon steel Ni Plate	Side	1	80370244-914
2	Rc1/4, Carbon steel Zn Plate	Top & bottom	1	80370241-011
2	Rc1/4, SUS316	Top & bottom	1	80370241-021
2	Rc1/4, Carbon steel Ni Plate	Top & bottom	1	80370241-911
2	1/4NPT, Carbon steel Zn Plate	Top & bottom	1	80370241-012
2	1/4NPT, SUS316	Top & bottom	1	80370241-022
2	1/4NPT, Carbon steel Ni Plate	Top & bottom	1	80370241-912
2	Rc1/2, Carbon steel Zn Plate	Top	1	80370241-015
2	Rc1/2, SUS316	Top	1	80370241-025
2	Rc1/2, Carbon steel Ni Plate	Top	1	80370241-915
2	Rc1/2, Carbon steel Zn Plate	Bottom	1	80370241-013
2	Rc1/2, SUS316	Bottom	1	80370241-023
2	Rc1/2, Carbon steel Ni Plate	Bottom	1	80370241-913
(LP side)				
3	Carbon steel Zn Plate	LP side	1	80370242-011
3	SUS316	LP side	1	80370242-021
3	Carbon steel Ni Plate	LP side	1	80370242-911

Table(c) : Vent plug & Vent bushing

Key No.	Description	Quantity	Part No.
7	Rc1/4, SUS316, St'd	1set	80277977-001
	1/4NPT, SUS316, St'd	1set	80277977-002
	Rc1/4, SUS316, Long type	1set	80277977-005
	1/4NPT, SUS316, Long type	1set	80277977-006

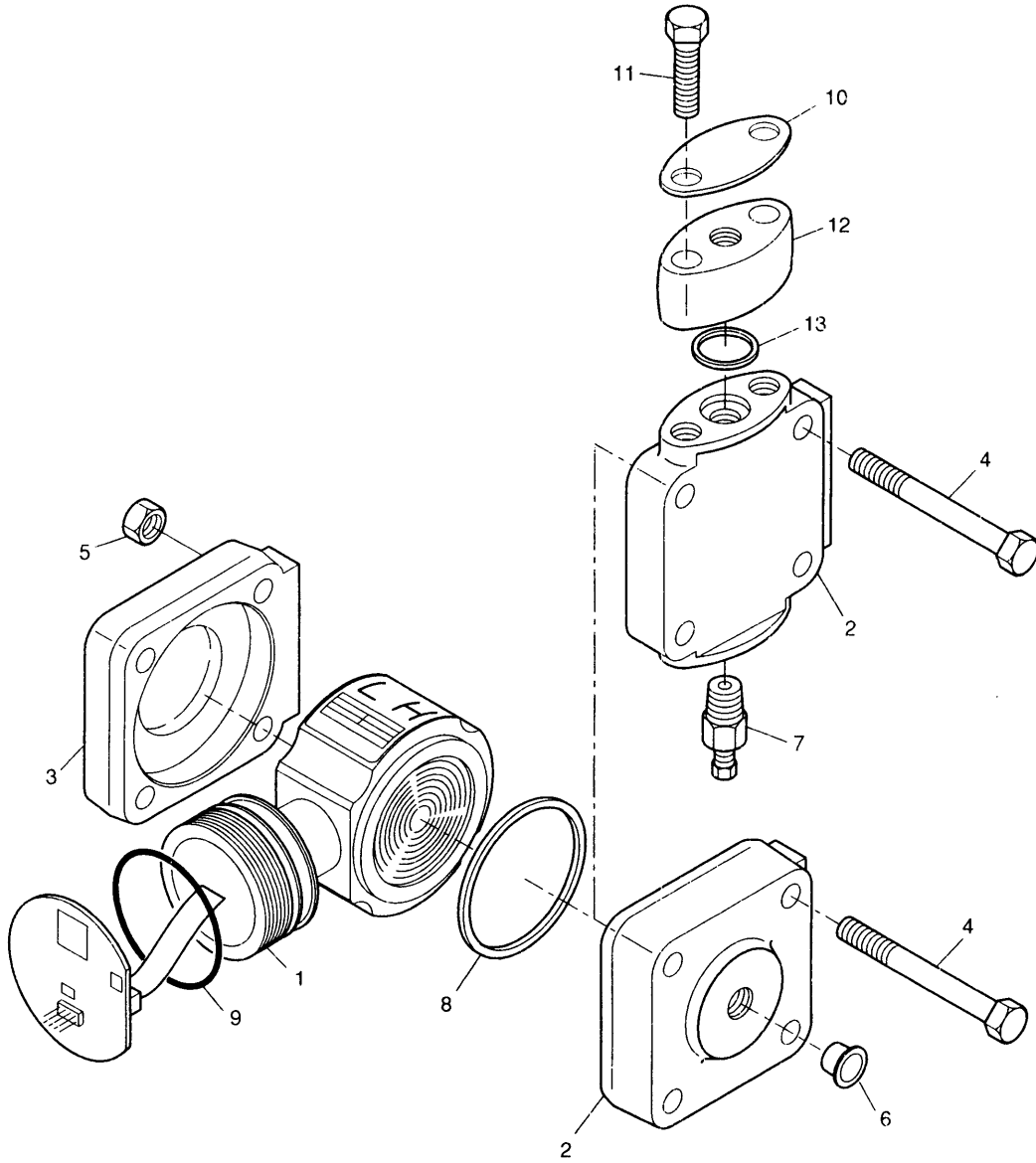
DSTJ3000 New Ace	Electronic Differential Pressure Transmitter	JTD,JTF,JTR,JTG JTU,JTA,JTC,JTE JTH,JTS	1st Edit : 98.10.1 Rev.(2) : 01.9.1	PL2-DST100-9501 34 of 40
---------------------	---	---	--	-----------------------------

Meter Body Assembly

JTA922

JTA940

Wetted parts material SUS316



DSTJ3000 New Ace	Electronic Differential Pressure Transmitter	JTD,JTF,JTR,JTG JTU,JTA,JTC,JTE JTH,JTS	1st Edit : 98.10.1 Rev.(2) : 01.9.1	PL2-DST100-9501 35 of 40
---------------------	---	---	--	-----------------------------

Meter Body Assembly

(3)Meter Body Assembly Parts List (Continued)

Key No.	Description	Quantity	Part No.
1	Center body assembly (With E/M assembly)	1 set	See Table(a)
2	Process flange:HP side (Side connection)	1	See Table(b)
3	Process flange:LP side, carbon steel Zn	1	80277198-001
3	Process flange:LP side, SUS316	1	80277198-002
3	Process flange:LP side, carbon steel Ni Plate	1	80277198-901
4	Bolts, SNB7	4	80276389-001
4	Bolts, SUS304	4	80276389-003
4	Bolts, SUS630	4	80276389-301
5	Nuts, S45C	4	80276390-001
5	Nuts, SUS304	4	80276390-002
5	Nuts, SUS630	4	80276390-003
6	Plastic plug,Rc1/2, 1/2NPT	1	400-006
6	Plastic plug,Rc1/4, 1/4NPT	1	400-002
7	Vent plug & Vent bushing	1 set	See Table(c)
8	Gasket	1	80276388-001
9	O-ring	1	80020935-825
10	Cover	1	80277979-001
11	Bolts, carbon steel	2	80271420-001
11	Bolts, SUS304	2	80271420-007
12	Flange adapter	1	See Table(d)
13	Gasket	1	80274742-001

DSTJ3000 New Ace	Electronic Differential Pressure Transmitter	JTD,JTF,JTR,JTG JTU,JTA,JTC,JTE JTH,JTS	1st Edit : 98.10.1 Rev.(2) : 01.9.1	PL2-DST100-9501 36 of 40
---------------------	---	---	--	-----------------------------

Meter Body Assembly

(3)Meter Body Assembly Parts List (Continued)

Table(a) : JTA922 Center body(Wetted parts material : SUS316)

Key No.	Description	Quantity	Part No.
1	Silicone oil (With E/M assembly St'd Burnout NA)	1set	80370453-004
1	Silicone oil (With E/M assembly St'd Burnout up)	1set	80370453-104
1	Silicone oil (With E/M assembly St'd Burnout down)	1set	80370453-204
1	Silicone oil (With E/M assembly Analog FSK communication Burnout NA)	1set	80370453-304
1	Silicone oil (With E/M assembly Analog FSK communication Burnout up)	1set	80370453-404
1	Silicone oil (With E/M assembly Analog FSK communication Burnout down)	1set	80370453-504
1	Silicone oil (With E/M assembly Intrinsically safe Burnout NA)	1set	80370453-604
1	Silicone oil (With E/M assembly Intrinsically safe Burnout up)	1set	80370453-704
1	Silicone oil (With E/M assembly Intrinsically safe Burnout down)	1set	80370453-804
1	Fluorine oil (With E/M assembly St'd Burnout NA)	1set	80370453-014
1	Fluorine oil (With E/M assembly St'd Burnout up)	1set	80370453-114
1	Fluorine oil (With E/M assembly St'd Burnout down)	1set	80370453-214
1	Fluorine oil (With E/M assembly Analog FSK communication Burnout NA)	1set	80370453-314
1	Fluorine oil (With E/M assembly Analog FSK communication Burnout up)	1set	80370453-414
1	Fluorine oil (With E/M assembly Analog FSK communication Burnout down)	1set	80370453-514
1	Fluorine oil (With E/M assembly Intrinsically safe Burnout NA)	1set	80370453-614
1	Fluorine oil (With E/M assembly Intrinsically safe Burnout up)	1set	80370453-714
1	Fluorine oil (With E/M assembly Intrinsically safe Burnout down)	1set	80370453-814

DSTJ3000 New Ace	Electronic Differential Pressure Transmitter	JTD,JTF,JTR,JTG JTU,JTA,JTC,JTE JTH,JTS	1st Edit : 98.10.1 Rev.(2) : 01.9.1	PL2-DST100-9501 37 of 40
---------------------	---	---	--	-----------------------------

Meter Body Assembly

(3)Meter Body Assembly Parts List (Continued)

Table(a) : JTA940 Center body(Wetted parts material : SUS316)

Key No.	Description	Quantity	Part No.
1	Silicone oil (With E/M assembly St'd Burnout NA)	1set	80370453-005
1	Silicone oil (With E/M assembly St'd Burnout up)	1set	80370453-105
1	Silicone oil (With E/M assembly St'd Burnout down)	1set	80370453-205
1	Silicone oil (With E/M assembly Analog FSK communication Burnout NA)	1set	80370453-305
1	Silicone oil (With E/M assembly Analog FSK communication Burnout up)	1set	80370453-405
1	Silicone oil (With E/M assembly Analog FSK communication Burnout down)	1set	80370453-505
1	Silicone oil (With E/M assembly Intrinsically safe Burnout NA)	1set	80370453-605
1	Silicone oil (With E/M assembly Intrinsically safe Burnout up)	1set	80370453-705
1	Silicone oil (With E/M assembly Intrinsically safe Burnout down)	1set	80370453-805
1	Fluorine oil (With E/M assembly St'd Burnout NA)	1set	80370453-015
1	Fluorine oil (With E/M assembly St'd Burnout up)	1set	80370453-115
1	Fluorine oil (With E/M assembly St'd Burnout down)	1set	80370453-215
1	Fluorine oil (With E/M assembly Analog FSK communication Burnout NA)	1set	80370453-315
1	Fluorine oil (With E/M assembly Analog FSK communication Burnout up)	1set	80370453-415
1	Fluorine oil (With E/M assembly Analog FSK communication Burnout down)	1set	80370453-515
1	Fluorine oil (With E/M assembly Intrinsically safe Burnout NA)	1set	80370453-615
1	Fluorine oil (With E/M assembly Intrinsically safe Burnout up)	1set	80370453-715
1	Fluorine oil (With E/M assembly Intrinsically safe Burnout down)	1set	80370453-815

DSTJ3000 New Ace	Electronic Differential Pressure Transmitter	JTD,JTF,JTR,JTG JTU,JTA,JTC,JTE JTH,JTS	1st Edit : 98.10.1 Rev.(2) : 01.9.1	PL2-DST100-9501 38 of 40
---------------------	---	---	--	-----------------------------

Meter Body Assembly

(3)Meter Body Assembly Parts List (Continued)

Table(b) : Process flange : HP side

Key No.	Description	Process connection	Quantity	Part No.
2	Rc1/4,Carbon steel Zn Plate	Top & bottom	1	80276386-001
2	Rc1/4, SUS316	Top & bottom	1	80276386-002
2	Rc1/4, Carbon steel Ni Plate	Top & bottom	1	80276386-901
2	1/4NPT,Carbon steel Zn Plate	Top & bottom	1	80276386-003
2	1/4NPT, SUS316	Top & bottom	1	80276386-004
2	1/4NPT, Carbon steel Ni Plate	Top & bottom	1	80276386-903
2	Rc1/4,Carbon steel Zn Plate	Side	1	80277137-011
2	Rc1/4, SUS316	Side	1	80277137-021
2	Rc1/4, Carbon steel Ni Plate	Side	1	80277137-911
2	1/4NPT,Carbon steel Zn Plate	Side	1	80277137-012
2	1/4NPT, SUS316	Side	1	80277137-022
2	1/4NPT, Carbon steel Ni Plate	Side	1	80277137-912
2	Rc1/2,Carbon steel Zn Plate	Side	1	80277137-013
2	Rc1/2, SUS316	Side	1	80277137-023
2	Rc1/2, Carbon steel Ni Plate	Side	1	80277137-913
2	1/2NPT,Carbon steel Zn Plate	Side	1	80277137-014
2	1/2NPT, SUS316	Side	1	80277137-024
2	1/2NPT, Carbon steel Ni Plate	Side	1	80277137-914

Table(c) : Vent plug & Vent bushing

Key No.	Description	Quantity	Part No.
7	Rc1/4, SUS316, St'd	1set	80277977-001
	1/4NPT, SUS316, St'd	1set	80277977-002
	Rc1/4, SUS316, Long type	1set	80277977-005
	1/4NPT, SUS316, Long type	1set	80277977-006

Table(d) : Flange adapter(Key No.12)

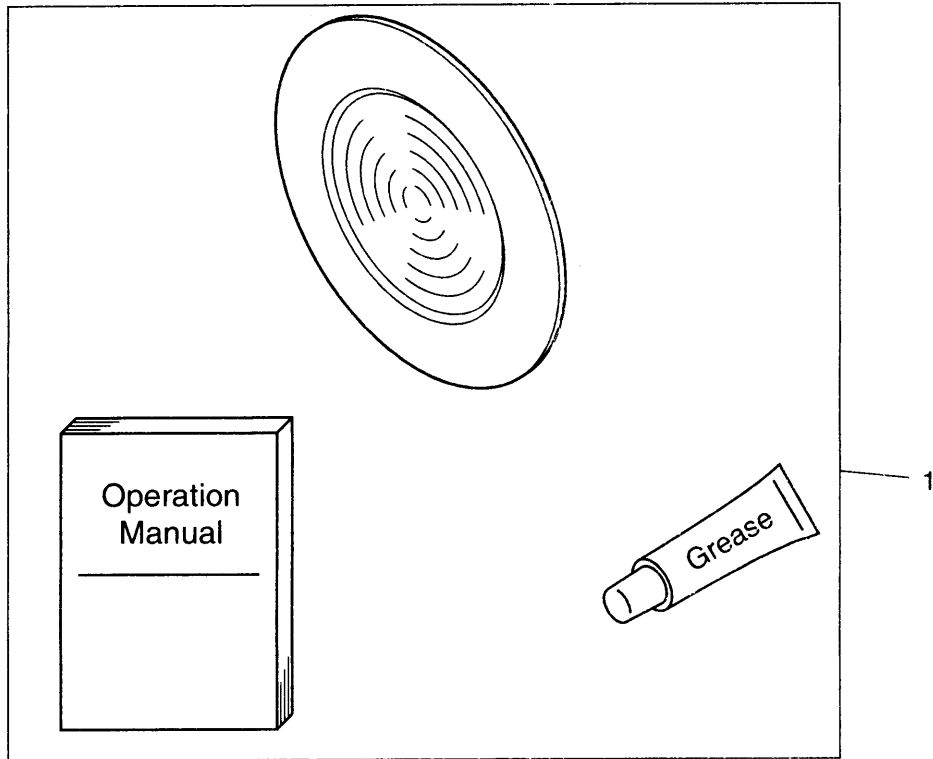
Connction	Description	Quantity	Part No.
Rc1/2	Carbon steel Zn plate	2	80269535-001
Rc1/2	SUS316	2	80269535-002
Rc1/2	Carbon steel Ni plate	2	80269535-901
1/2NPT	Carbon steel Zn plate	2	80269535-004
1/2NPT	SUS316	2	80269535-005
1/2NPT	Carbon steel Ni plate	2	80269535-904
Rc1/4	Carbon steel Zn plate	2	80269535-007
Rc1/4	SUS316	2	80269535-008
Rc1/4	Carbon steel Ni plate	2	80269535-907
1/4NPT	Carbon steel Zn plate	2	80269535-009
1/4NPT	SUS316	2	80269535-010
1/4NPT	Carbon steel Ni plate	2	80269535-909

DSTJ3000 New Ace	Electronic Differential Pressure Transmitter	JTD,JTF,JTR,JTG JTU,JTA,JTC,JTE JTH,JTS	1st Edit : 98.10.1 Rev.(2) : 01.9.1	PL2-DST100-9501 39 of 40
---------------------	---	---	--	-----------------------------

FEP Protective diaphragm

1.FEP protective diaphragm with grease and operation manual.

- JTE9
- JTR9
- JTH9
- JTU9
- JTC9
- JTF9



(4)FEP Protective diaphragm Parts List (Continued)

Key No.	Diaphragm size	Flange size	Description	Quantity	Part No.
1	φ 90	3B/80A	For JTE,JTR, JTC(titanium)	1 set	80277987-001
			For JTH,JTU,JTF/JTC(tantalum)	1 set	80277987-002
	φ 63.8	3B/80A	For JTU (Wafer type)	1 set	80277987-003
	φ 60	3B/80A	For JTF	1 set	80277987-004
			For JTE(w/o HastelloyC)	1 set	80277987-010
	φ 40	2B/50A	For JTH(w/o HastelloyC),JTC(tantalum)	1 set	80277987-011
			For JTE(HastelloyC)	1 set	80277987-005
		1.5B/40A	For JTH(HastelloyC),JTC(w/o Tantalum)	1 set	80277987-006
			For JTE	1 set	80277987-007
3B/80A		For JTH,JTC	1 set	80277987-008	
3B/80A	For JTC	1 set	80277987-009		

DSTJ3000 New Ace	Electronic Differential Pressure Transmitter	JTD,JTF,JTR,JTG JTU,JTA,JTC,JTE JTH,JTS	1st Edit : 98.10.1 Rev.(2) : 01.9.1	PL2-DST100-9501 40 of 40
---------------------	---	---	--	-----------------------------