

# **ST3000**

## **Smart Transmitter/Ace**

### **Electronic Differential Pressur Transmitter**

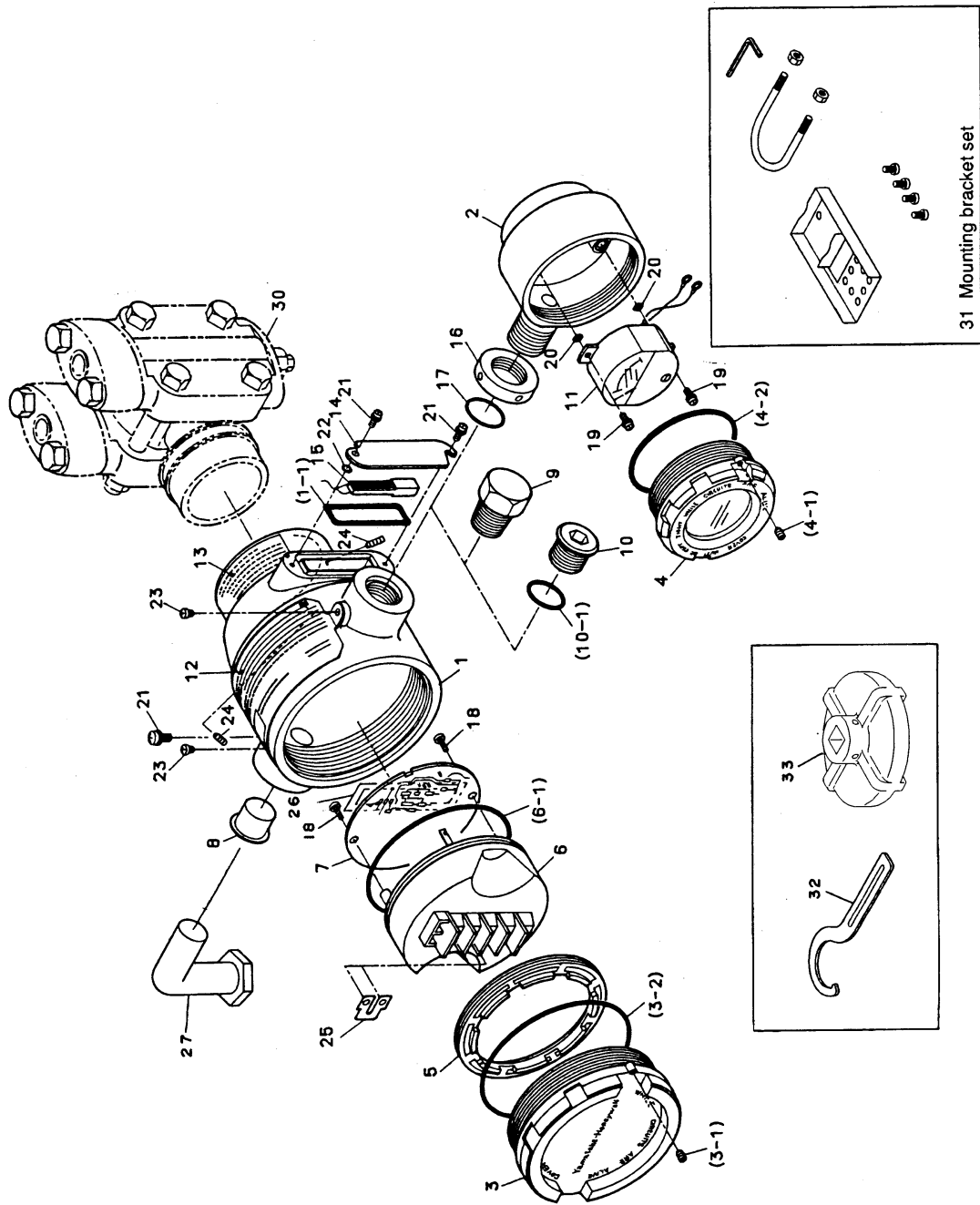
**Model JTD 915/920/930/921/931**  
**JTF 926/929/940**  
**JTR 926/930**  
**JTG 940/960/980**  
**JTU 940/930/980**  
**JTA 922/940**  
**JTC 926/929/940**  
**JTE 929**  
**JTH 940/960**

## **Parts List**

ST3000 Ace	Electronic Differential Pressure Transmitter	JTD, JTF, JTR JTG, JTU, JTA	1st Edit : 93-5-6 Rev. (3) : Jul. 2003	PL2-5290-0100 1 of 57
---------------	---	--------------------------------	---	--------------------------

# Case Assembly

- JTD 910
- JTD 915
- JTD 920
- JTD 930
- JTD 921
- JTD 931
- JTF 926
- JTF 929
- JTF 940
- JTR 926
- JTR 930
- JTG 940
- JTG 960
- JTG 980
- JTU 940
- JTU 960
- JTU 980
- JTA 922
- JTA 940
- JTC 926
- JTC 929
- JTC 940
- JTE 929
- JTH 940
- JTH 960



ST3000 Ace	Electronic Differential Pressure Transmitter	JTD, JTF, JTR JTG, JTU, JTA JTC, JTE, JTH	1st Edit : 93-5-6 Rev. (3) : Jul. 2003	PL2-5290-0100 2 of 57
---------------	---	---	---	--------------------------

# Case Assembly

## (2) Case Assembly Parts List

Key No.	Description	Quantity	Part No.
1	Housing assembly(With Gasket)	1	See table(a)
(1-1)	Gasket	(1)-F	80277786-001
2	Case meter	1	See table(b)
3	Cap(machining)assembly	1	See table(c)
(3-1)	Screw	(1)-F	HS318203-050
(3-2)	“O” ring	(1)-F	80020935-183
4	Cover assembly	1	See table(d)
(4-1)	Screw	(1)-F	HS318203-050
(4-2)	“O” ring	(1)-F	80020935-8220F
5	Retainer ring	1	80277777-001
6	Terminal final assembly( W/O “O” ring)	1	See table(e)
(6-1)	“O” ring	(1)-F	80020935-823
7	Electronics module	1	See table(f)
8	Plastic plug	1-F	HS400006-000
9	Plug(For 1/2NPT)	1	80277971-001
10	Plug assembly(For Rc1/2)	1	80277353-001
(10-1)	“O” ring	(1)-F	80020935-118
11	Meter assembly	1	80277734-001
12	Name plate	1	80277749-Item
13	Caution label	1	80277790-001
14	Plate(With external zero adjustment)	1	80277778-002
14	Plate(W/O external zero adjustment)	1	80277778-001
15	Magnet holder	1	80277779-001
16	Lock nut	1	80277738-002
17	“O” ring	1-F	80020935-118
18	Screw	2-F	80277782-310
19	Screw assembly	2-F	80277581-101
20	Screw retainer ring	2-F	80235519-001
21	Screw assembly	3-F	80277851-002
22	Screw retainer ring	1-F	80235519-007
23	Screw	2-F	HS311230-040
24	Screw	2-F	HS318206-080
25	Connecting plate(For W/O indicating meter)	1-F	83956028-003
26	Cover	1	80277937-001
27	Elbow assembly	1	See table(g)
30	Meter body assembly	1	See “Meter body assembly”
31	Mounting bracket set	1	See table(h)
32	Tool(Lock nut only)		80277877-001
33	Tool(Retainer ring only)		80277829-001

ST3000	Electronic Differential Pressure	JTD, JTF, JTR	1st Edit : 93-5-6	PL2-5290-0100
Ace	Transmitter	JTG, JTU, JTA	Rev. (3) : Jul. 2003	3 of 57
		JTC, JTE, JTH		

## Case Assembly

### (2) Case Assembly Parts List (Continued)

Table (a) : Housing Assembly (Key No. 1)

Case	Connection	Coating	Options	(Model)	Part No.
Standard	Rc1/2	Light beige	Standard	JT□-□-X	80277722-001
	Rc1/2	Light beige	Corrosion-resistance finish	JT□-□-A	80277722-002
	Rc1/2	Light beige	Corrosion-proof finish	JT□-□-B	80277722-003
	Rc1/2	Silver	Corrosion-proof finish	JT□-□-D	80277722-004
	1/2NPT	Light beige	Standard	JT□-□-N	80277722-011
	1/2NPT	Light beige	Corrosion-resistance finish	JT□-□-AN	80277722-012
	1/2NPT	Light beige	Corrosion-proof finish	JT□-□-BN	80277722-013
	1/2NPT	Silver	Corrosion-proof finish	JT□-□-DN	80277722-014

Table (b) : Case Meter (Key No. 2)

Case	Connection	Coating	Options	(Model)	Part No.
Standard	Rc1/2	Light beige	Standard	JT□-□-X	80277969-001
	Rc1/2	Light beige	Corrosion-resistance finish	JT□-□-A	80277969-002
	Rc1/2	Light beige	Corrosion-proof finish	JT□-□-B	80277969-003
	Rc1/2	Silver	Corrosion-proof finish	JT□-□-D	80277969-004
	1/2NPT	Light beige	Standard	JT□-□-N	80277969-011
	1/2NPT	Light beige	Corrosion-resistance finish	JT□-□-AN	80277969-012
	1/2NPT	Light beige	Corrosion-proof finish	JT□-□-BN	80277969-013
	1/2NPT	Silver	Corrosion-proof finish	JT□-□-DN	80277969-014

Table (c) : Cap (machining) Assembly (Key No. 3)

Description	Coating	Options	(Model)	Part No.
Cap(machining) assembly (with screw and "O" ring)	Dark beige	Standard	JT□-□-X	80277719-001
	Dark beige	Corrosion-resistance finish	JT□-□-A	80277719-002
	Dark beige	Corrosion-proof finish	JT□-□-B	80277719-003
	Silver	Corrosion-proof finish	JT□-□-D	80277719-004

Table (d) : Cover Assembly (Key No. 4)

Description	Coating	Options	(Model)	Part No.
Cover assembly (with screw and "O" ring)	Dark beige	Standard	JT□-□-X	80277729-001
	Dark beige	Corrosion-resistance finish	JT□-□-A	80277729-002
	Dark beige	Corrosion-proof finish	JT□-□-B	80277729-003
	Silver	Corrosion-proof finish	JT□-□-D	80277729-004

ST3000 Ace	Electronic Differential Pressure Transmitter	JTD, JTF, JTR JTG, JTU, JTA JTC, JTE, JTH	1st Edit : 93-5-6 Rev. (3) : Jul. 2003	PL2-5290-0100 4 of 57
---------------	---	---	---	--------------------------

# Case Assembly

## (2) Case Assembly Parts List (Continued)

Table (e) : Terminal Final Assembly (Key No.6)

Description	Options	(Model)	Part No.
Terminal final assembly (W/O "O" ring)	Standard	JT□-□-X	80277740-001
	Intrinsical-safe	JT□-□-2	80277740-201

Table (f) : Electronics Module (Key No. 7)

Description	Options		(Model)	Part No.	
Electronics module with PROM	Standard	Standard	Burnout(Low)	JT□-□-A4	80277709-001
			Burnout(Up)	JT□-□-A5	80277709-002
			Standard	JT□-□-XX	80277709-003
		with external zero adjuster	Burnout(Low)	JT□-□-A2 A4	80277709-007
			Burnout(Up)	JT□-□-A2 A4	80277709-008
			Standard	JT□-□-A2	80277709-009
	Intrinsical-safe	Standard	Burnout(Low)	JT□-2-A4	80277709-201
			Burnout(Up)	JT□-2-A5	80277709-202
			Standard	JT□-2-XX	80277709-203
		with external zero adjuster	Burnout(Low)	JT□-2-A2 A4	80277709-207
			Burnout(Up)	JT□-2-A2 A5	80277709-208
			Standard	JT□-2-A2	80277709-209

ST3000 Ace	Electronic Differential Pressure Transmitter	JTD, JTF, JTR JTG, JTU, JTA JTC, JTE, JTH	1st Edit : 93-5-6 Rev. (3) : Jul. 2003	PL2-5290-0100 5 of 57
---------------	---	---	---	--------------------------

# Case Assembly

## (2) Case Assembly Parts List (Continued)

Table (f) : Electronics Module (Key No. 7)

Description	Options		(Model)	Part No.	
Electronics module without PROM	Standard	Standard	Burnout(Low)	JT□-□-A4	82734575-001
			Burnout(Up)	JT□-□-A5	82734575-002
			Standard	JT□-□-XX	82734575-003
		with external zero adjuster	Burnout(Low)	JT□-□-A2 A4	82734575-007
			Burnout(Up)	JT□-□-A2 A5	82734575-008
			Standard	JT□-□-A2	82734575-009
	Intrinsic-safe	Standard	Burnout(Low)	JT□-2-A4	82734575-201
			Burnout(Up)	JT□-2-A5	82734575-202
			Standard	JT□-2-XX	82734575-203
		with external zero adjuster	Burnout(Low)	JT□-2-A2 A4	82734575-207
			Burnout(Up)	JT□-2-A2 A5	82734575-208
			Standard	JT□-2-A2	82734575-209

Table (g) : Elbow assembly (Key No.27)

Description	Connection	(Model)	Part No.
Elbow assembly	G1/2	JT□-□-E1,E2	80357206-103
	1/2NPT	JT□-□-NE1,NE2	80357207-005

ST3000 Ace	Electronic Differential Pressure Transmitter	JTD, JTF, JTR JTG, JTU, JTA JTC, JTE, JTH	1st Edit : 93-5-6 Rev. (3) : Jul. 2003	PL2-5290-0100 6 of 57
---------------	---	---	---	--------------------------

# Case Assembly

## (2) Case Assembly Parts List (Continued)

Table(h) : Mounting bracket (Key No.31)

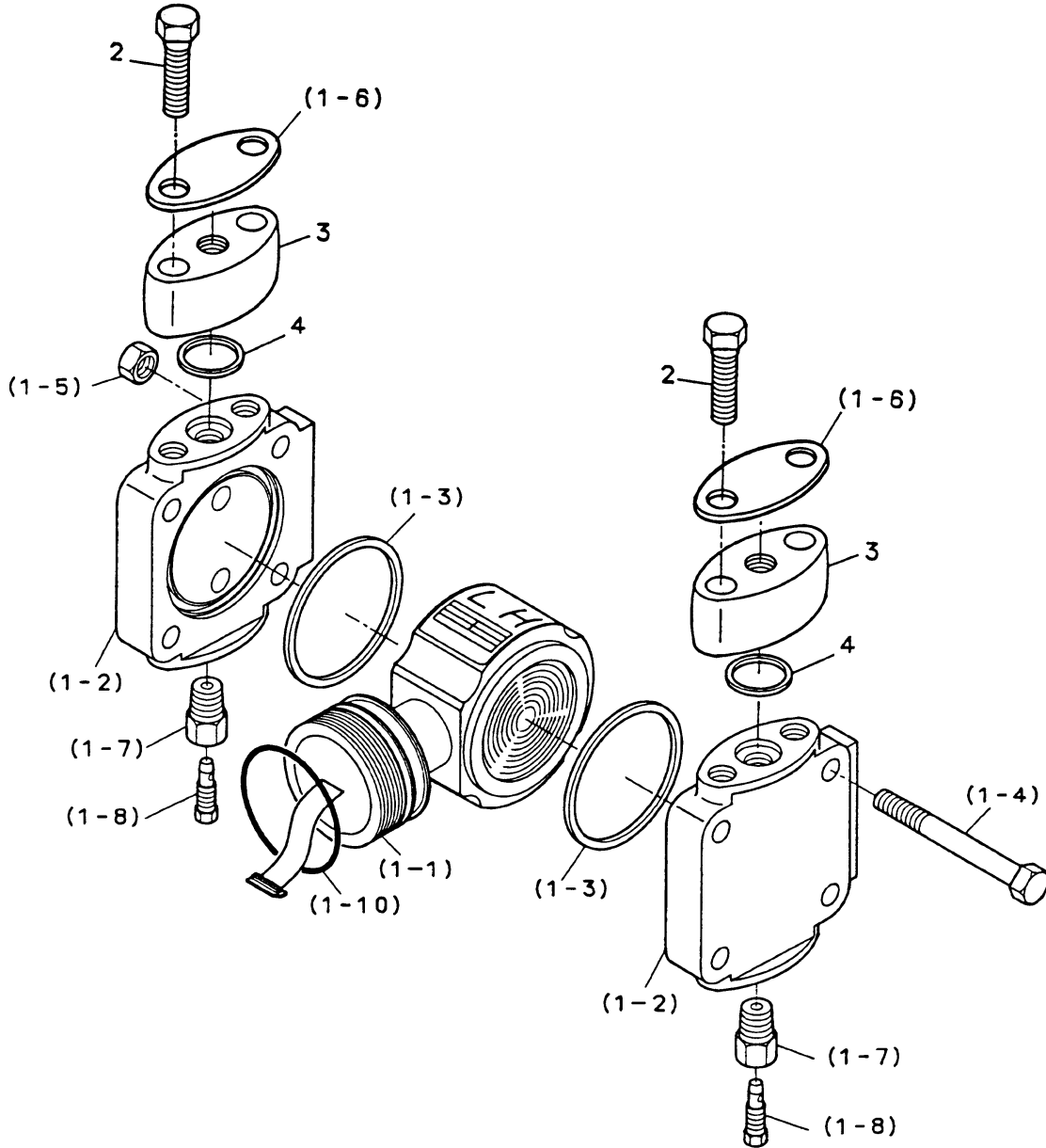
Model	Part No.
JTD9□□ -A,E	80279919-00800
-B,D,F,H,M,P	80279919-01100
JTG9□□ -A,E	80279919-00800
-B,D,F,H,M,P	80279919-01100
JTA9□□ -A,E	80279919-00800
-B,D,F,H,M,P	80279919-01100
JTR9□□-	80279919-00800
JTU9□□-	80279919-00800
JTF9□□-	80279919-00900
JTC9□□-	80279919-00900
JTE9□□-	80279919-00800
JTH9□□-	80279919-00800

ST3000 Ace	Electronic Differential Pressure Transmitter	JTD, JTF, JTR JTG, JTU, JTA JTC, JTE, JTH	1st Edit : 93-5-6 Rev. (3) : Jul. 2003	PL2-5290-0100 7 of 57
---------------	---	---	---	--------------------------

# Meter Body Assembly

## 1. Meter Body Assembly

JTD 910



ST3000 Ace	Electronic Differential Pressure Transmitter	JTD	1st Edit : 93-5-6 Rev. (3) : Jul.2003	PL2-5290-0100 8 of 57
---------------	---	-----	--	--------------------------

# Meter Body Assembly

## (3) Meter Body Assembly Parts List (Continued)

Key No.	Description	Quantity	Part No.
1	Meter body assembly	1	(1) Order complete model No. JMD (2) See table(a)
(1-1)	Center body assembly, STD (With PROM board assembly)	(1)	(80277750-542)
(1-1)	Center body assembly, For Degreasing (With PROM board assembly)	(1)	(80277750-642)
(1-2)	End cover, Rc1/4, SUS316	(2)	(80276386-002)
(1-2)	End cover, 1/4NPT, SUS316	(2)	(80276386-004)
(1-3)	Gasket	(2)	(80276388-001)
(1-4)	Bolt, SUS304	(4)	(80276389-003)
(1-5)	Nut, SUS304	(4)	(80276390-002)
(1-6)	Cover	(2)	80277979-001
(1-7)	Vent bushing	(2)	See table(c)
(1-8)	Vent plug	(2)	See table(c)
(1-10)	"O" ring	(1)	(80020935-825)
2	Bolt, carbon steel	4	80271420-001
2	Bolt, SUS304	4	80271420-007
3	Flange	2	See table(d)
4	Gasket	2	80274742-001

ST3000 Ace	Electronic Differential Pressure Transmitter	JTD	1st Edit : 93-5-6 Rev. (3) : Jul. 2003	PL2-5290-0100 9 of 57
---------------	---	-----	---	--------------------------

# Meter Body Assembly

## (3) Meter Body Assembly Parts List (Continued)

Table (a) : Meter Body Assembly (Key No.1)

For Resale Meter Body (to be handled as a complete product)

Basic Model No.      Selection      Options  
 Model No. JMD    -  I  II  III -0000 -  IV

Description	Model No. Ex. JMD 910-E1Q-00000-A	I to III Selection							IV Options				
		I (*1)	II	III Process Connection				No Option	Stainless Bolts and Nuts, SUS304	Corrosion-proof Painting	Corrosion-proof	For Degreasing	Long & Drain Plug
				Rc1/2	1/2NPT	Rc1/4	1/4NPT						
	Model No.	-	1	Q	R	S	T	X	W	A	B	K	J
Diff. Press.	Basic Model No.												
Draft range JMD 910 (10-200mmH <sub>2</sub> O)	JMD 910	E	O	O	O	O	O	O	O	O	O	O	O

Note \*1 : See Table (b)

ST3000 Ace	Electronic Differential Pressure Transmitter	JTD	1st Edit : 93-5-6 Rev. (3) : Jul.2003	PL2-5290-0100 10 of 57
---------------	---	-----	--	---------------------------

# Meter Body Assembly

## (3) Meter Body Assembly Parts List (Continued)

Table (b) : Cover & Diaphragm Material & Selection Model No.

Selection Model No. I	Cover Material	Vent Drain Plug Material	Diaphragm Material
E	SUSF316	SUS316	SUS316(Diaphragm;SUS316L)

Table (c) : Vent Bushing(Key No.1-7)& Vent Plug (Key No.1-8)

Basic Model No.	Selection Model No.	Material	Process Connection			Part No.		
			Selection Model No.		Vent Bushing	Vent Plug		
			Top or Bottom Connection	Rear Connection			Standard type	Long type
JTD 910	E	SUS316	Q	L	Rc1/2	80269540-001	80274992-001	80269468-001
			S	D	Rc1/4			
			R	G	1/2NPT	80274992-002		
			T	A	1/4NPT			

ST3000 Ace	Electronic Differential Pressure Transmitter	JTD	1st Edit : 93-5-6 Rev. (3) : Jul. 2003	PL2-5290-0100 11 of 57
---------------	---	-----	---	---------------------------

# Meter Body Assembly

## (3) Meter Body Assembly Parts List (Continued)

Table (d) : Flange (Key No.3)

Connection	Material	Model	Part No.
Rc1/2	SUS316	JTD910	80269535-002
1/2NPT	SUS316		80269535-005
Rc1/4	SUS316		80269535-008
1/4NPT	SUS316		80269535-010

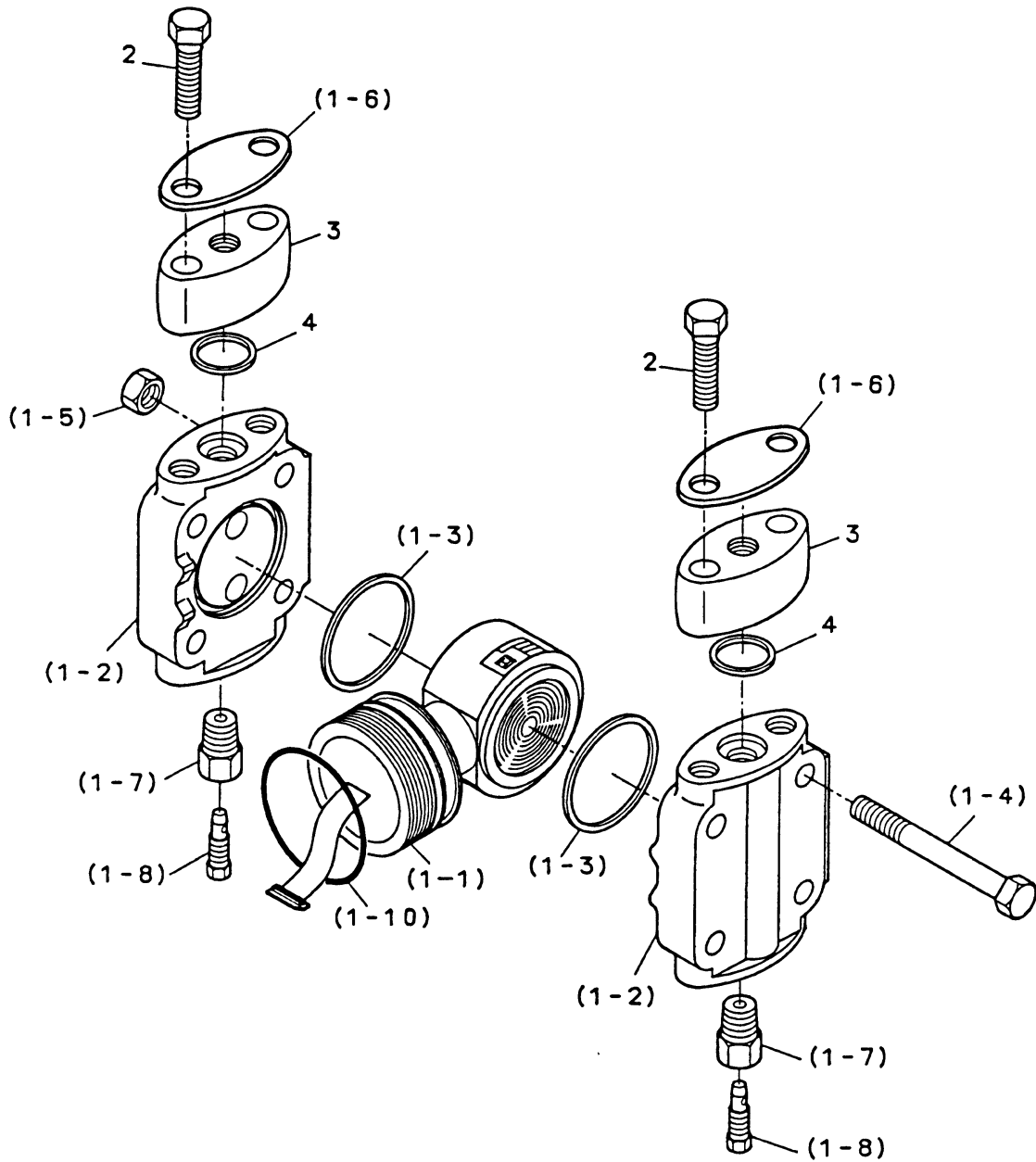
ST3000 Ace	Electronic Differential Pressure Transmitter	JTD	1st Edit : 93-5-6 Rev. (3) : Jul.2003	PL2-5290-0100 12 of 57
---------------	---	-----	--	---------------------------

# Meter Body Assembly

## 1. Meter Body Assembly

JTD 915

JTD 920



ST3000 Ace	Electronic Differential Pressure Transmitter	JTD	1st Edit : 93-5-6 Rev. (3) : Jul. 2003	PL2-5290-0100 13 of 57
---------------	---	-----	---	---------------------------

# Meter Body Assembly

## (3) Meter Body Assembly Parts List (Continued)

Key No.	Description	Quantity	Part No.
1	Meter body assembly	1	(1)Order complete model No. JMD
(1-1)	Center body assembly (With PROM board assembly)	(1)	(2)See table(a) See table(c)
(1-2)	End cover, Rc1/4, carbon steel	(2)	(80277768-001)
(1-2)	End cover, Rc1/4, SUS316	(2)	(80277768-002)
(1-2)	End cover, 1/4NPT, carbon steel	(2)	(80277768-003)
(1-2)	End cover, 1/4NPT, SUS316	(2)	(80277768-004)
(1-3)	Gasket	(2)	(80277767-001)
(1-4)	Bolt, SNB7	(4)	(80277765-001)
(1-4)	Bolt, SUS304	(4)	(80277765-002)
(1-4)	Bolt, SUS630	(4)	(80277765-003)
(1-5)	Nut, S45C	(4)	(80277766-001)
(1-5)	Nut, SUS304	(4)	(80277766-002)
(1-5)	Nut, SUS630	(4)	(80277766-003)
(1-6)	Cover	(2)	(80277979-001)
(1-7)	Vent bushing	(2)	See table(d)
(1-8)	Vent plug	(2)	See table(d)
(1-10)	“O” ring	(1)	(80020935-825)
2	Bolt, carbon steel	4	80271420-001
2	Bolt, SUS304	4	80271420-007
3	Flange	2	See table(e)
4	Gasket	2	80274742-001

ST3000 Ace	Electronic Differential Pressure Transmitter	JTD	1st Edit : 93-5-6 Rev. (3) : Jul.2003	PL2-5290-0100 14 of 57
---------------	---	-----	--	---------------------------

# Meter Body Assembly

## (3) Meter Body Assembly Parts List (Continued)

Table (a) : Meter Body Assembly (Key No.1)

For Resale Meter Body (to be handled as a complete product)

Basic Model No.      Selection      Options  
 Model No.JMD    -  I  II  III -0000 -  IV

Description	I to III Selection													IV Options							
	I (*1)	II			III Process Connection						No Option	Stainless Bolts and Nuts,SUS304	Stainless Bolts and Nuts,SUS630	Steam Block(*2)	Corrosion-proof Painting	Corrosion-proof	For Degreasing	Long & Drain Plug			
		For Standard Service	For Oxygen Service	For chlorine Service	Top or Bottom Connection			Rear Connection													
Model No. Ex. JMD 920-A1Q-00000-A																					
	Model No.	-	1	2	5	Q	R	S	T	L	G	D	A	X	W	U	F	A	B	K	J
Diff. Press.	Basic Model No.																				
Low Diff.Press. JMD915 (75-1250mmH <sup>2</sup> O)	JMD915	A	○			○	○	○	○	○	○	○	○	○	○	○	○	○	○		○
Low & Medium Diff.Press. JMD920 (250-10,000mmH <sup>2</sup> O)	JMD920	E	○			○	○	○	○	○	○	○	○	○	○	○	○	○	○		○
			○			○	○	○	○	○	○	○	○	○	○	○	○	○			○

Note \*1 : See Table(b)

\*2 : Only Top or Bottom Connection

ST3000 Ace	Electronic Differential Pressure Transmitter	JTD	1st Edit : 93-5-6 Rev. (3) : Jul. 2003	PL2-5290-0100 15 of 57
---------------	---	-----	---	---------------------------

# Meter Body Assembly

## (3) Meter Body Assembly Parts List (Continued)

Table (b) : Cover & Diaphragm Material & Selection Model No.

Selection Model No. I	Cover Material	Vent Drain Plug Material	Diaphragm Material
A	Carbon Steel	SUS316	SUS316 (Diaphragm;SUS316L)
E	SUSF316	SUS316	SUS316 (Diaphragm;SUS316L)

Table(c):Center Body Assembly (Key No.1-1)

Basic Model No.	Options	Part No.
JTD915	STD	80277750-002
	For Degreasing	80277750-102
JTD920	STD	80277750-012
	For Degreasing	80277750-112

Table (d) : Vent Bushing (Key No.1-7) & Vent Plug (Key No.1-8)

Basic Model No.	Selection Model No.	Material	Process Connection			Part No.		
			Selection Model No.		Vent Bushing		Vent Plug	
			Top or Bottom Connection	Rear Connection	Standard type	Long type		
JTD915	A,E	SUS316	Q	L	Rc1/2	80269540-001	80274992-001	80269468-001
			S	D	Rc1/4			
JTD920			R	G	1/2NPT	80269540-002	80274992-002	
			T	A	1/4NPT			

ST3000 Ace	Electronic Differential Pressure Transmitter	JTD	1st Edit : 93-5-6 Rev. (3) : Jul.2003	PL2-5290-0100 16 of 57
---------------	---	-----	--	---------------------------

# Meter Body Assembly

## (3) Meter Body Assembly Parts List (Continued)

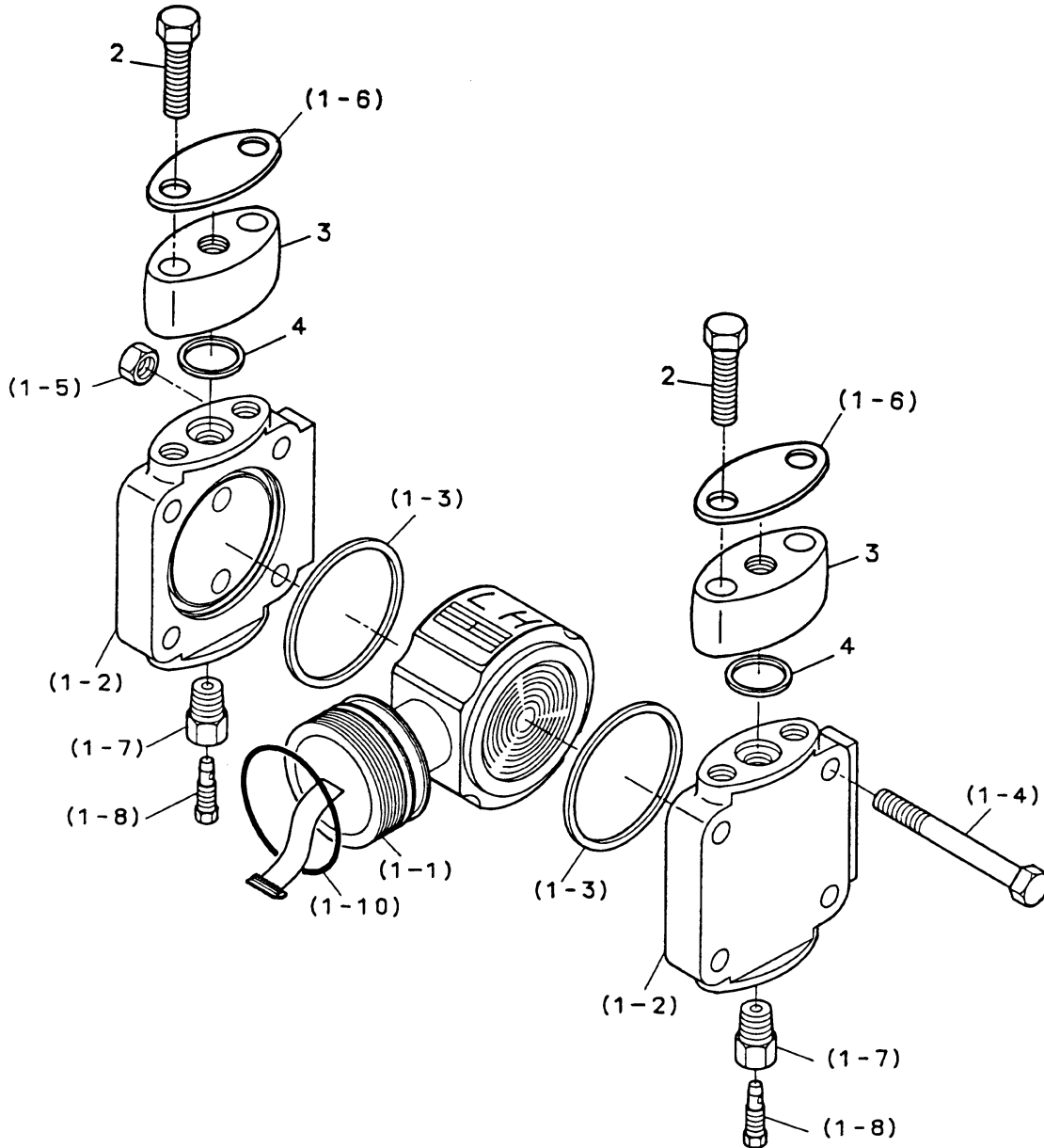
Table (e) : Flange (Key No.3)

Connection	Material	Model	Part No.
Rc1/2	Carbon steel	JTD915 JTD920	80269535-001
Rc1/2	SUS316		80269535-002
1/2NPT	Carbon steel		80269535-004
1/2NPT	SUS316		80269535-005
Rc1/4	Carbon steel		80269535-007
Rc1/4	SUS316		80269535-008
1/4NPT	Carbon steel		80269535-009
1/4NPT	SUS316		80269535-010

# Meter Body Assembly

## 1. Meter Body Assembly (Large type / 1992-9-29 - 1993-9-30)

JTD 930



ST3000 Ace	Electronic Differential Pressure Transmitter	JTD	1st Edit : 93-5-6 Rev. (3) : Jul.2003	PL2-5290-0100 18 of 57
---------------	---	-----	--	---------------------------

# Meter Body Assembly

## (3) Meter Body Assembly Parts List (Continued)

Key No.	Description	Quantity	Part No.
1	Meter body assembly	1	(1)Order complete model No. JMD (2)See table(a)
(1-1)	Center body assembly, STD (With PROM board assembly)	(1)	(80277750-542)
(1-1)	Center body assembly, For Degreasing (With PROM board assembly)	(1)	(80277750-642)
(1-2)	End cover, Rc1/4, carbon steel	(2)	(80276386-001)
(1-2)	End cover, Rc1/4, SUS316	(2)	(80276386-002)
(1-2)	End cover, 1/4NPT, carbon steel	(2)	(80276386-003)
(1-2)	End cover, 1/4NPT, SUS316	(2)	(80276386-004)
(1-3)	Gasket	(2)	(80276388-001)
(1-4)	Bolt, SNB7	(4)	(80276389-001)
(1-4)	Bolt, SUS304	(4)	(80276389-003)
(1-4)	Bolt, SUS630	(4)	(80505515-001)
(1-5)	Nut, S45C	(4)	(80276390-001)
(1-5)	Nut, SUS304	(4)	(80276390-002)
(1-5)	Nut, SUS630	(4)	(80512752-001)
(1-6)	Cover	(2)	(80277979-001)
(1-7)	Vent bushing	(2)	See table(c)
(1-8)	Vent plug	(2)	See table(c)
(1-10)	"O" ring	(1)	(80020935-825)
2	Bolt, carbon steel	4	80271420-001
2	Bolt, SUS304	4	80271420-007
3	Flange	2	See table(d)
4	Gasket	2	80274742-001

ST3000	Electronic Differential Pressure	JTD	1st Edit : 93-5-6	PL2-5290-0100
Ace	Transmitter		Rev. (3) : Jul. 2003	19 of 57

# Meter Body Assembly

## (3) Meter Body Assembly Parts List (Continued)

Table (a) : Meter Body Assembly (Key No.1)

For Resale Meter Body (to be handled as a complete product)

Basic Model No.      Selection      Options  
 Model No. JMD  -   - 0000 -

Description		I to III Selection											IV Options										
		I (*1)	II			III Process Connection								No Option	Stainless Bolts and Nuts, SUS304	Stainless Bolts and Nuts, SUS630	Steam Block(*2)	Corrosion-proof Painting	Corrosion-proof	For Degreasing	Long & Drain Plug		
			For Standard Service	For Oxygen Service	For Chlorine Service	Top or Bottom Connection				Rear Connection													
Model No. Ex. JMD930-A1Q-00000-A	Model No.	-	1	2	5	Q	R	S	T	L	G	D	A	X	W	U	F	A	B	K	J		
Diff. Press.	Basic Model No.	-	1	2	5	Q	R	S	T	L	G	D	A	X	W	U	F	A	B	K	J		
High Diff. Press. JMD930 (0.35-7kgf/cm <sup>2</sup> )	JMD930	A	○			○	○	○	○	○	○	○	○	○	○	○	○	○	○	○	○	○	
		E	○			○	○	○	○	○	○	○	○	○	○	○	○	○	○	○	○	○	○
			○			○	○	○	○	○	○	○	○	○	○	○	○	○	○	○	○	○	○

Note \*1 : See Table(b)

\*2 : Only Top or Bottom Connection

ST3000 Ace	Electronic Differential Pressure Transmitter	JTD	1st Edit : 93-5-6 Rev. (3) : Jul.2003	PL2-5290-0100 20 of 57
---------------	---	-----	--	---------------------------

# Meter Body Assembly

## (3) Meter Body Assembly Parts List (Continued)

Table (b) : Cover & Diaphragm Material & Selection Model No.

Selection Model No. I	Cover Material	Vent Drain Plug Material	Diaphragm Material
A	Carbon Steel	SUS316	SUS316 (Diaphragm;SUS316L)
E	SUSF316	SUS316	SUS316 (Diaphragm;SUS316L)

Table (c) : Vent Bushing(Key No.1-7)& Vent Plug (Key No.1-8)

Basic Model No.	Selection Model No.	Material	Process Connection			Part No.		
			Selection Model No.		Vent Bushing	Vent Plug		
			Top or Bottom Connection	Rear Connection			Standard type	Long type
JTD930	A,E	SUS316	Q	L	Rc1/2	80269540-001	80274992-001	80269468-001
			S	D	Rc1/4			
			R	G	1/2NPT	80269540-002	80274992-002	
			T	A	1/4NPT			

ST3000 Ace	Electronic Differential Pressure Transmitter	JTD	1st Edit : 93-5-6 Rev. (3) : Jul. 2003	PL2-5290-0100 21 of 57
---------------	---	-----	---	---------------------------

# Meter Body Assembly

## (3) Meter Body Assembly Parts List (Continued)

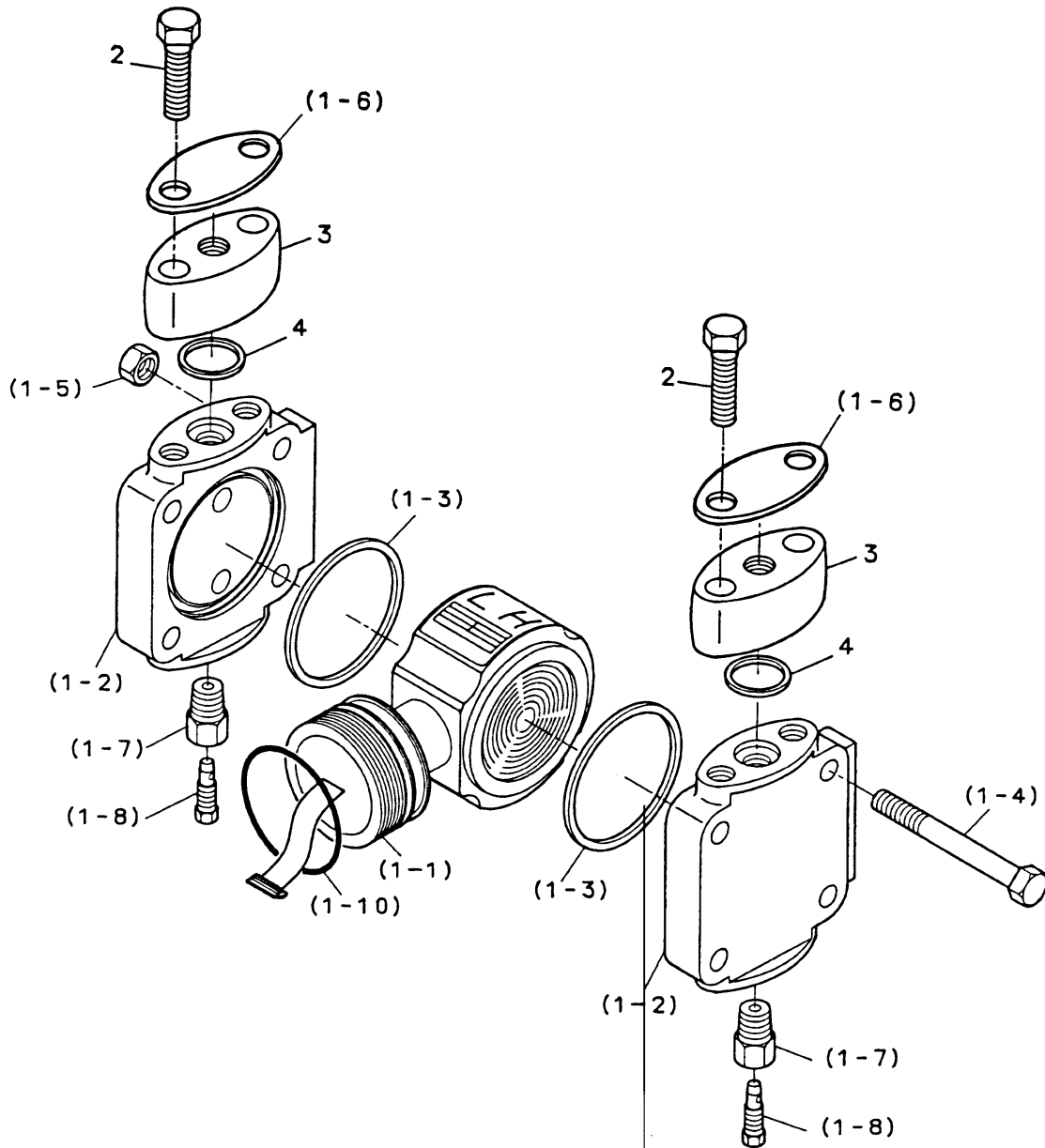
Table (d) : Flange (Key No.3)

Connection	Material	Model	Part No.
Rc1/2	Carbon steel	JTD930	80269535-001
Rc1/2	SUS316		80269535-002
1/2NPT	Carbon steel		80269535-004
1/2NPT	SUS316		80269535-005
Rc1/4	Carbon steel		80269535-007
Rc1/4	SUS316		80269535-008
1/4NPT	Carbon steel		80269535-009
1/4NPT	SUS316		80269535-010

# Meter Body Assembly

## 1. Meter Body Assembly (Small type / 1993-10-1 - )

JTD 930



ST3000 Ace	Electronic Differential Pressure Transmitter	JTD	1st Edit : 93-5-6 Rev. (3) : Jul. 2003	PL2-5290-0100 23 of 57
---------------	---	-----	---	---------------------------

# Meter Body Assembly

## (3) Meter Body Assembly Parts List (Continued)

Key No.	Description	Quantity	Part No.
1	Meter body assembly	1	(1) Order complete model No. JMD (2) See table(a)
(1-1)	Center body assembly, STD (With PROM board assembly)	(1)	(80277750-022)
(1-1)	Center body assembly, For Degreasing (With PROM board assembly)	(1)	(80277750-122)
(1-2)	End cover, Rc1/4, carbon steel	(2)	(80276386-001)
(1-2)	End cover, Rc1/4, SUS316	(2)	(80276386-002)
(1-2)	End cover, 1/4NPT, carbon steel	(2)	(80276386-003)
(1-2)	End cover, 1/4NPT, SUS316	(2)	(80276386-004)
(1-3)	Gasket	(2)	(80276388-001)
(1-4)	Bolt, SNB7	(4)	(80276389-001)
(1-4)	Bolt, SUS304	(4)	(80276389-003)
(1-4)	Bolt, SUS630	(4)	(80277765-003)
(1-5)	Nut, S45C	(4)	(80276390-001)
(1-5)	Nut, SUS304	(4)	(80276390-002)
(1-5)	Nut, SUS630	(4)	(8027766-003)
(1-6)	Cover	(2)	(80277979-001)
(1-7)	Vent bushing	(2)	See table(c)
(1-8)	Vent plug	(2)	See table(c)
(1-10)	"O" ring	(1)	(80020935-825)
2	Bolt, carbon steel	4	80271420-001
2	Bolt, SUS304	4	80271420-007
3	Flange	2	See table(d)
4	Gasket	2	80274742-001

ST3000 Ace	Electronic Differential Pressure Transmitter	JTD	1st Edit : 93-5-6 Rev. (3) : Jul. 2003	PL2-5290-0100 24 of 57
---------------	---	-----	---	---------------------------



## Meter Body Assembly

### (3) Meter Body Assembly Parts List (Continued)

Table (b) : Cover & Diaphragm Material & Selection Model No.

Selection Model No. I	Cover Material	Vent Drain Plug Material	Diaphragm Material
A	Carbon Steel	SUS316	SUS316(Diaphragm;SUS316L)
E	SUSF316	SUS316	SUS316(Diaphragm;SUS316L)

Table (c) : Vent Bushing (Key No.1-7)& Vent Plug (Key No.1-8)

Basic Model No.	Selection Model No.	Material	Process Connection			Part No.		
			Selection Model No.		Vent Bushing	Vent Plug		
			Top or Bottom Connection	Rear Connection			Standard type	Long type
JTD 910	A, E	SUS316	Q	L	Rc1/2	80269540-001	80274992-001	80269468-001
			S	D	Rc1/4			
			R	G	1/2NPT	80269540-002	80274992-002	
			T	A	1/4NPT			

ST3000 Ace	Electronic Differential Pressure Transmitter	JTD	1st Edit : 93-5-6 Rev. (3) : Jul. 2003	PL2-5290-0100 26 of 57
---------------	---	-----	---	---------------------------

# Meter Body Assembly

## (3) Meter Body Assembly Parts List (Continued)

Table (d) : Flange(Key No.3)

Connection	Material	Model	Part No.
Rc1/2	Carbon steel	JTD930	80269535-001
Rc1/2	SUS316		80269535-002
1/2NPT	Carbon steel		80269535-004
1/2NPT	SUS316		80269535-005
Rc1/4	Carbon steel		80269535-007
Rc1/4	SUS316		80269535-008
1/4NPT	Carbon steel		80269535-009
1/4NPT	SUS316		80269535-010

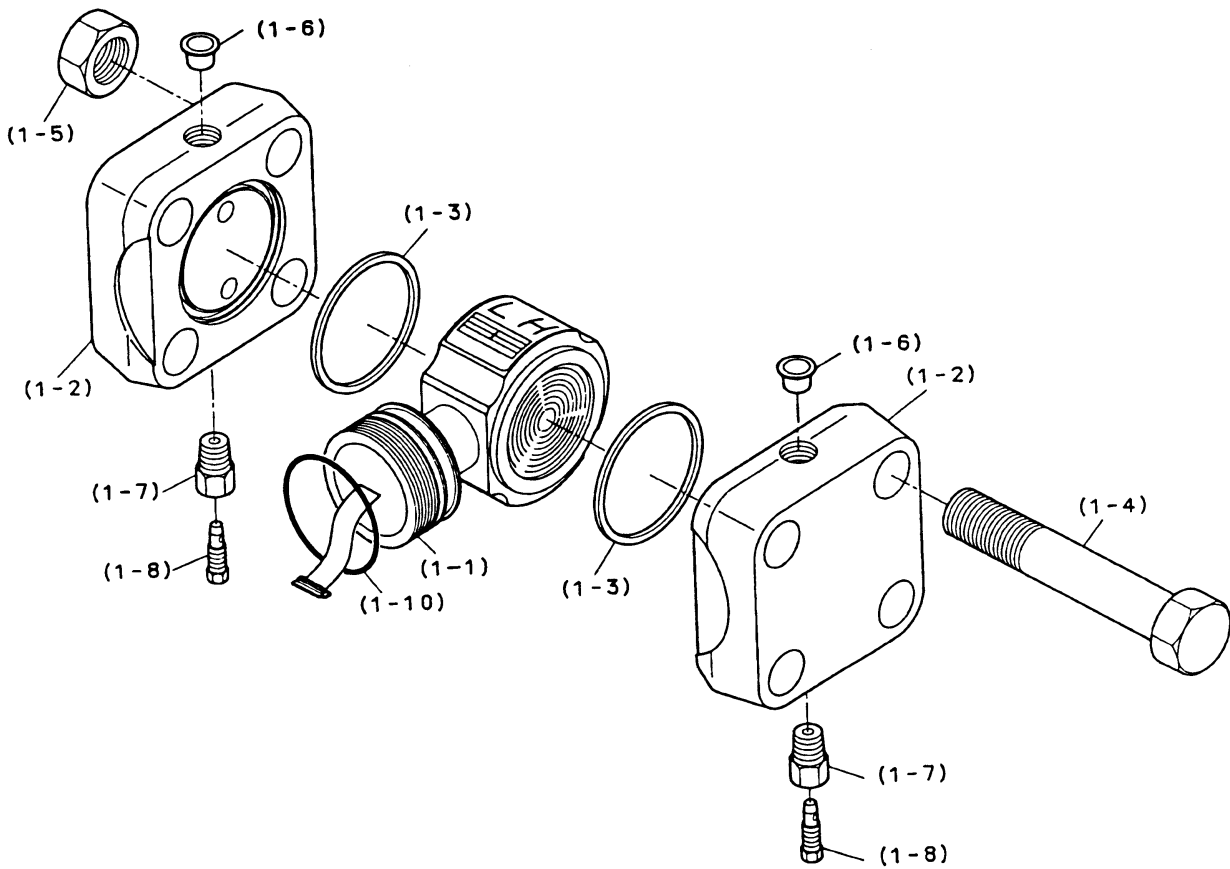
ST3000 Ace	Electronic Differential Pressure Transmitter	JTD	1st Edit : 93-5-6 Rev. (3) : Jul. 2003	PL2-5290-0100 27 of 57
---------------	---	-----	---	---------------------------

# Meter Body Assembly

## 1. Meter Body Assembly

JTD 921

JTD 931



ST3000 Ace	Electronic Differential Pressure Transmitter	JTD	1st Edit : 93-5-6 Rev. (3) : Jul. 2003	PL2-5290-0100 28 of 57
---------------	---	-----	---	---------------------------

## Meter Body Assembly

### (3) Meter Body Assembly Parts List (Continued)

Key No.	Description	Quantity	Part No.
1	Meter body assembly	1	(1) Order complete model No. JMD (2) See table(a)
(1-1)	Center body assembly (With PROM board assembly)	(1)	See table(c)
(1-2)	End cover, Rc1/4, carbon steel	(2)	(80277100-011)
(1-2)	End cover, Rc1/4, SUS316	(2)	(80277100-021)
(1-2)	End cover, 1/4NPT, carbon steel	(2)	(80277100-012)
(1-2)	End cover, 1/4NPT, SUS316	(3)	(80277100-022)
(1-3)	Gasket	(2)	(80276388-001)
(1-4)	Bolt, SNB7	(4)	(80277115-001)
(1-4)	Bolt, SUS304	(4)	(80277115-002)
(1-4)	Bolt, SUS630	(4)	(80277115-003)
(1-5)	Nut, S45C	(4)	(80277116-001)
(1-5)	Nut, SUS304	(4)	(80277116-002)
(1-5)	Nut, SUS630	(4)	(80277116-003)
(1-6)	Plastic plug, Rc1/2, 1/2NPT	(2)	(400-006)
(1-6)	Plastic plug, Rc1/4, 1/4NPT	(2)	(400-002)
(1-7)	Vent bushing	(2)	See table(d)
(1-8)	Vent plug	(2)	See table(d)
(1-10)	"O" ring	(1)	(80020935-825)

ST3000 Ace	Electronic Differential Pressure Transmitter	JTD	1st Edit : 93-5-6 Rev. (3) : Jul. 2003	PL2-5290-0100 29 of 57
---------------	---	-----	---	---------------------------

# Meter Body Assembly

## (3) Meter Body Assembly Parts List (Continued)

Table (a) : Meter Body Assembly(Key No.1)

For Resale Meter Body (to be handled as a complete product)

Basic Model No.      Selection      Options  
 Model No. JMD 

--	--	--

 - 

I	II	III
---	----	-----

 -0000 - 

IV
----

Description	I to III Selection						IV Options						
	I (*1)	II			III Process Connection		No Option	Stainless Bolts and Nuts,SUS304	Stainless Bolts and Nuts,SUS630	Corrosion-proof Painting	Corrosion-proof	For Degreasing	Long & Drain Plug
		Cover & Diaphragm Material	For Standard Service	For Oxygen Service	For Chlorine Service	Rc1/4							
Model No. Ex. JMD921-A1S-00000-A													
Model No.	-	1	2	5	S	T	X	W	U	A	B	K	J
Basic Model No.	-	1	2	5	S	T	X	W	U	A	B	K	J
Diff. Press.	-	1	2	5	S	T	X	W	U	A	B	K	J
Low & Medium Diff.Press. for Hi-Press. JMD921 (250-10,000mmH <sub>2</sub> O)	JMD921	A	○		○	○	○	○	○	○	○	○	○
High Diff.Press. for Hi-Press. JMD931 (0.35-7kgf/cm <sup>2</sup> )	JMD931	E	○		○	○	○	○	○	○	○	○	○
			○		○	○	○	○	○	○	○	○	○

Note \*1 : See Table(b)

ST3000 Ace	Electronic Differential Pressure Transmitter	JTD	1st Edit : 93-5-6 Rev. (3) : Jul. 2003	PL2-5290-0100 30 of 57
---------------	---	-----	---	---------------------------

# Meter Body Assembly

## (3) Meter Body Assembly Parts List (Continued)

Table (b) : Cover & Diaphragm Material & Selection Model No.

Selection Model No. I	Cover Material	Vent Drain Plug Material	Diaphragm Material
A	Carbon Steel	SUS316	SUS316(Diaphragm;SUS316L)
E	SUSF316	SUS316	SUS316(Diaphragm;SUS316L)

Table(c):Center Body Assembly(Key No.1-1)

Basic Model No.	Options	Part No.
JTD921	STD	80277750-512
	For Degreasing	80277750-612
JTD931	STD	80277750-542
	For Degreasing	80277750-642

Table (d) : Vent Bushing(Key No.1-7)& Vent Plug(Key No.1-8)

Basic Model No.	Selection Model No.	Material	Process Connection		Part No.		
			Selection Model No.	Top or Bottom Connection	Vent Bushing		Vent Plug
					Standard type	Long type	
JTD921	A,E	SUS316	S	Rc1/4	80269540-001	80274992-001	80269468-001
JTD931			T	1/4NPT	80269540-002	80274992-002	

ST3000 Ace	Electronic Differential Pressure Transmitter	JTD	1st Edit : 93-5-6 Rev. (3) : Jul. 2003	PL2-5290-0100 31 of 57
---------------	---	-----	---	---------------------------

# Meter Body Assembly

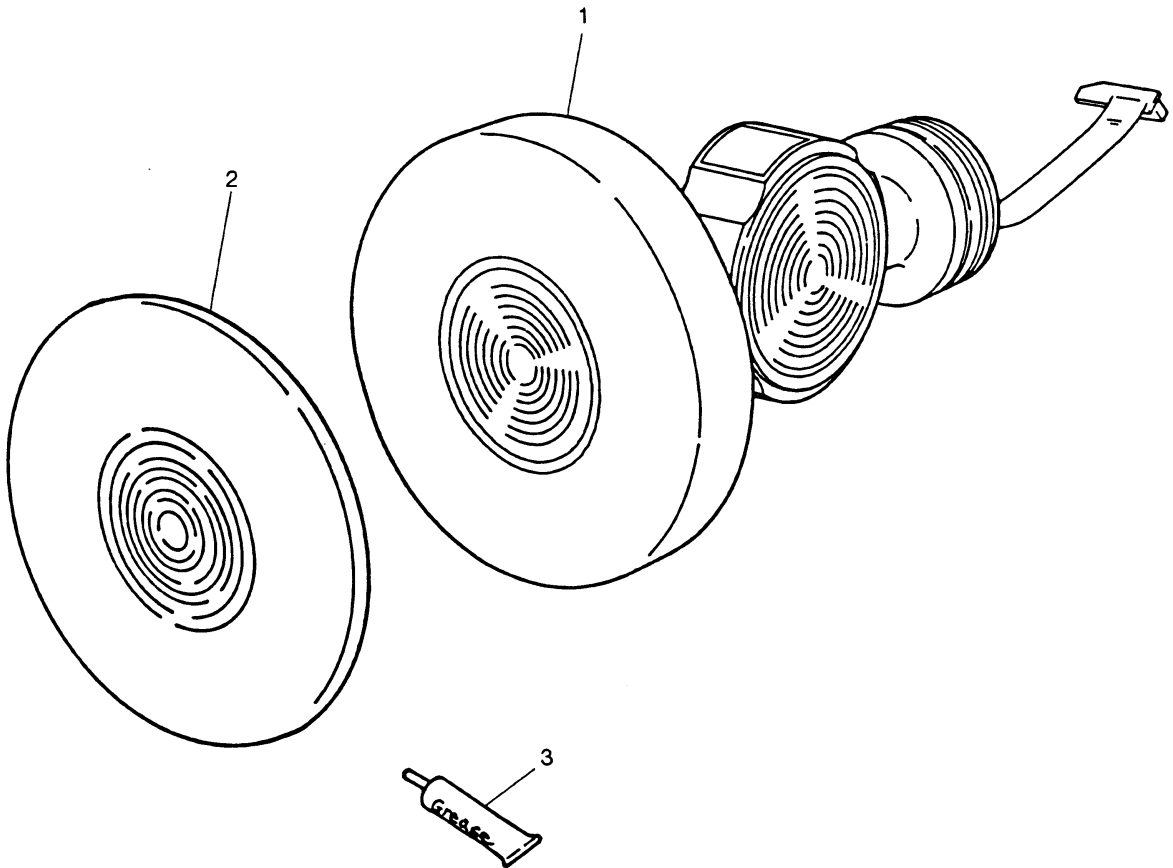
## 1. Meter Body Assembly (JMF)

JTF 926

JTF 929

JTF 940

JMF 926



End cover, Bolts and nuts are included in JMF  
(Photo is only for Meter body)

ST3000 Ace	Electronic Differential Pressure Transmitter	JTF	1st Edit : 93-5-6 Rev. (3) : Jul. 2003	PL2-5290-0100 32 of 57
---------------	---	-----	---	---------------------------

## Meter Body Assembly

### (3) Meter Body Assembly Parts List (Continued)

Key No.	Description	Quantity	Part No.
1	Meter body assembly	1	Order complete model No. JMF
2	FEP cover(3B)	1	80277986-001
	FEP cover(2B)	1	80277975-001
	FEP cover(1.5B)	1	80277975-002
3	Grease(Net 50g)	1	(80277983-001)

ST3000 Ace	Electronic Differential Pressure Transmitter	JTF	1st Edit : 93-5-6 Rev. (3) : Jul. 2003	PL2-5290-0100 33 of 57
---------------	---	-----	---	---------------------------

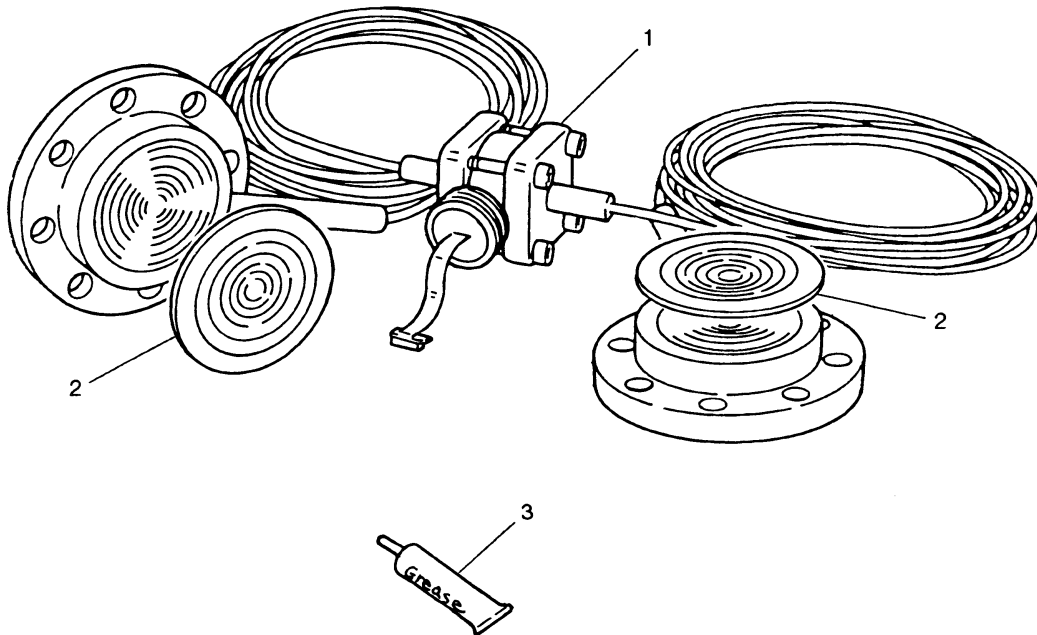
# Meter Body Assembly

## 1. Meter Body Assembly (JMR)

JTR 926

JTR 930

JMR 926



ST3000 Ace	Electronic Differential Pressure Transmitter	JTR	1st Edit : 93-5-6 Rev. (3) : Jul. 2003	PL2-5290-0100 34 of 57
---------------	---	-----	---	---------------------------

# Meter Body Assembly

## (3) Meter Body Assembly Parts List (Continued)

Key No.	Description	Quantity	Part No.
1	Meter body assembly	1	Order complete model No. JMR
2	FEP cover(3B)	1	(80277984-001)
3	Grease(Net 50g)	1	(80277983-001)

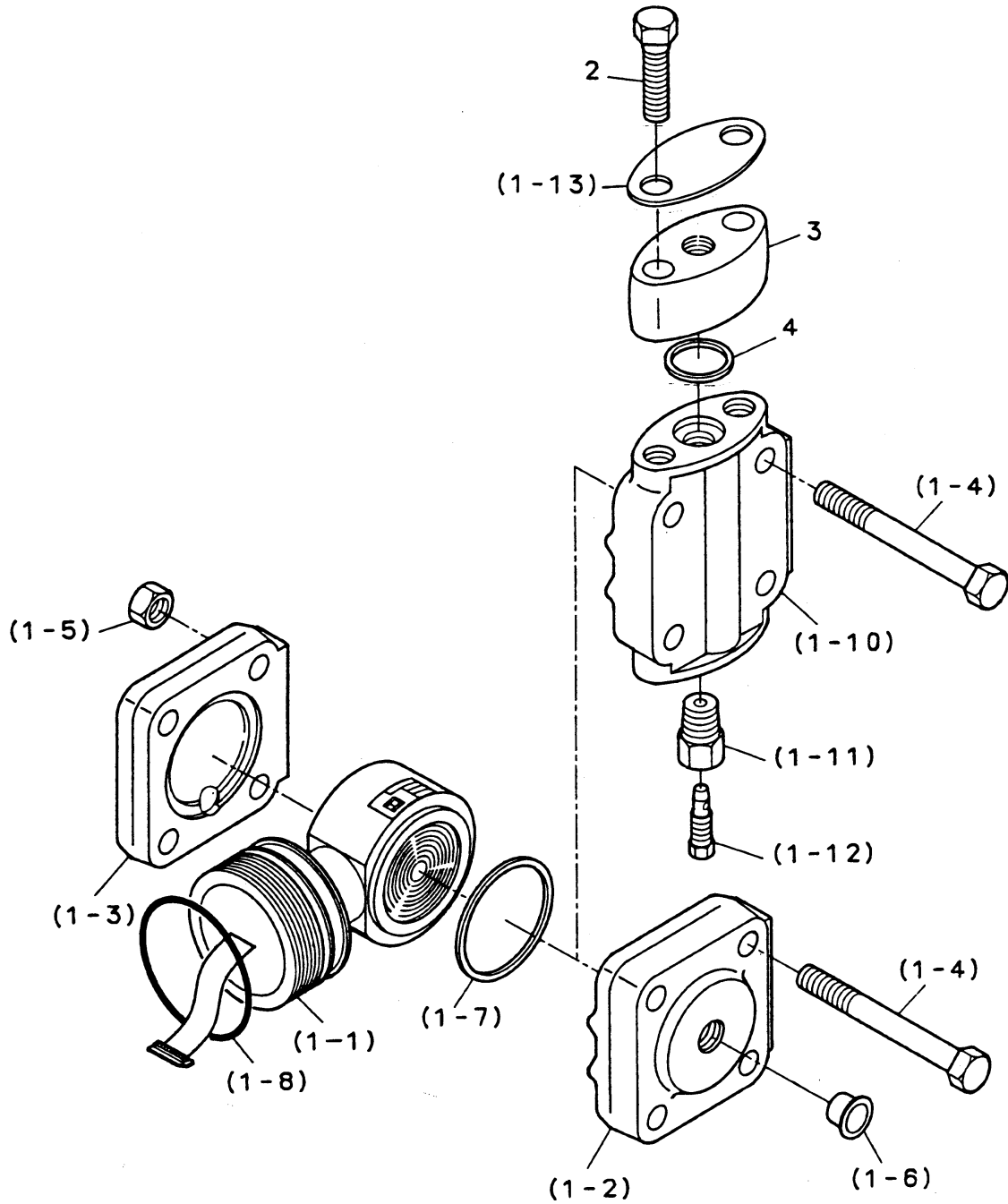
ST3000 Ace	Electronic Differential Pressure Transmitter	JTR	1st Edit : 93-5-6 Rev. (3) : Jul. 2003	PL2-5290-0100 35 of 57
---------------	---	-----	---	---------------------------

# Meter Body Assembly

## 1. Meter Body Assembly

JTG940

JTG960



ST3000 Ace	Electronic Differential Pressure Transmitter	JTG	1st Edit : 93-5-6 Rev. (3) : Jul. 2003	PL2-5290-0100 36 of 57
---------------	---	-----	---	---------------------------

# Meter Body Assembly

## (3) Meter Body Assembly Parts List (Continued)

Key No.	Description	Quantity	Part No.
1	Meter body assembly	1	(1)Order complete model No. JMG
(1-1)	Center body assembly (With PROM board assembly)	(1)	(2)See table(a) See table(c)
(1-2)	End cover, Rc1/4, carbon steel	(1)	(80277772-011)
(1-2)	End cover, Rc1/4, SUS316	(1)	(80277772-021)
(1-2)	End cover, 1/4NPT, carbon steel	(1)	(80277772-012)
(1-2)	End cover, 1/4NPT, SUS316	(1)	(80277772-022)
(1-2)	End cover, Rc1/2, carbon steel	(1)	(80277772-013)
(1-2)	End cover, Rc1/2, SUS316	(1)	(80277772-023)
(1-2)	End cover, 1/2NPT, carbon steel	(1)	(80277772-014)
(1-2)	End cover, 1/2NPT, SUS316	(1)	(80277772-024)
(1-3)	End cover, carbon steel	(1)	(80277774-001)
(1-3)	End cover, SUS316	(1)	(80277774-002)
(1-4)	Bolt, SNB7	(4)	(80277765-001)
(1-4)	Bolt, SUS304	(4)	(80277765-002)
(1-4)	Bolt, SUS630	(4)	80277765-003
(1-5)	Nut, S45C	(4)	(80277766-001)
(1-5)	Nut, SUS304	(4)	(80277766-002)
(1-5)	Nut, SUS630	(4)	(80277766-003)
(1-6)	Plastic plug, Rc1/2, 1/2NPT	(1)	(400-006)
(1-6)	Plastic plug, Rc1/4, 1/4NPT	(1)	(400-002)
(1-7)	Gasket	(1)	(80277767-001)
(1-8)	"O" ring	(1)	(80020935-825)
(1-10)	End cover, Rc1/4, carbon steel	(1)	(80277768-011)
(1-10)	End cover, Rc1/4, SUS316	(1)	(80277768-012)
(1-10)	End cover, 1/4NPT, carbon steel	(1)	(80277768-013)
(1-10)	End cover, 1/4NPT, SUS316	(1)	(80277768-014)
(1-11)	Vent bushing	(1)	See table(d)
(1-12)	Vent plug	(1)	See table(d)
(1-13)	Cover	(1)	(80277979-001)
2	Bolt, carbon steel	2	80271420-001
2	Bolt, SUS304	2	80271420-007
3	Flange	1	See table(e)
4	Gasket	1	80274742-001

ST3000 Ace	Electronic Differential Pressure Transmitter	JTG	1st Edit : 93-5-6 Rev. (3) : Jul. 2003	PL2-5290-0100 37 of 57
---------------	---	-----	---	---------------------------

# Meter Body Assembly

## (3) Meter Body Assembly Parts List (Continued)

Table (a) : Meter Body Assembly (Key No.1)

For Resale Meter Body (to be handled as a complete product)

Basic Model No.      Selection      Options

Model No. JMG 

--	--	--

 - 

I	II	III
---	----	-----

 -0000 - 

IV
----

Description	I to III Selection												IV Options									
	I (*1)	II			III Process Connection						No Option	Stainless Bolts and Nuts, SUS304	Stainless Bolts and Nuts, SUS630	Steam Block(*2)	Corrosion-proof Painting	Corrosion-proof	For Degreasing	Long & Drain Plug				
		For Standard Service	For Oxygen Service	For Chlorine Service	Side Connection			Top or Bottom Connection														
Model No. Ex. JMG940-A1L-00000-A																						
	Model No.	-	1	2	5	L	G	D	A	Q	R	S	T	X	W	U	F	A	B	K	J	
Gage Press.	Basic Model No.																					
Forr Gage Press. JMG940 (0.7-35kgf/cm <sup>2</sup> ) JMG960 (14-140kgf/cm <sup>2</sup> )	JMG 940	A	○			○	○	○	○	○	○	○	○	○	○	○	○	○	○		○	
	JMG 960	E	○			○	○	○	○	○	○	○	○	○	○	○	○	○	○	○		○
			○			○	○	○	○	○	○	○	○	○	○	○	○	○	○			○

Note \*1 : See Table(b)

\*2 : Only Top or Bottom Connection

ST3000 Ace	Electronic Differential Pressure Transmitter	JTG	1st Edit : 93-5-6 Rev. (3) : Jul. 2003	PL2-5290-0100 38 of 57
---------------	---	-----	---	---------------------------

# Meter Body Assembly

## (3) Meter Body Assembly Parts List (Continued)

Table (b) : Cover & Diaphragm Material & Selection Model No.

Selection Model No. (特)	Cover Material	Vent Drain Plug Material	Diaphragm Material
A	Carbon Steel	SUS316	SUS316(Diaphragm;SUS316L)
E	SUSF316	SUS316	SUS316(Diaphragm;SUS316L)

Table (c) : Center Body Assembly(Key No.1-1)

Basic Model No.	Options	Part No.
JTG940	STD	80277750-052
	For Degreasing	80277750-152
JTG960	STD	80277750-062
	For Degreasing	80277750-162

Table (d) : Vent Bushing(Key No.1-11)& Vent Plug(Key No.1-12)

Basic Model No.	Selection Model No.	Material	Process Connection			Part No.		
			Selection Model No.		Vent Bushing	Vent Plug		
			Front Connection	Top or Bottom Connection			Standard type	Long type
JTG940	A,E	SUS316	L	Q	Rc1/2	80269540-001	80274992-001	80269468-001
			D	S	Rc1/4			
JTG960			G	R	1/2NPT	80269540-002	80274992-002	
			A	T	1/4NPT			

ST3000 Ace	Electronic Differential Pressure Transmitter	JTG	1st Edit : 93-5-6 Rev. (3) : Jul. 2003	PL2-5290-0100 39 of 57
---------------	---	-----	---	---------------------------

# Meter Body Assembly

## (3) Meter Body Assembly Parts List (Continued)

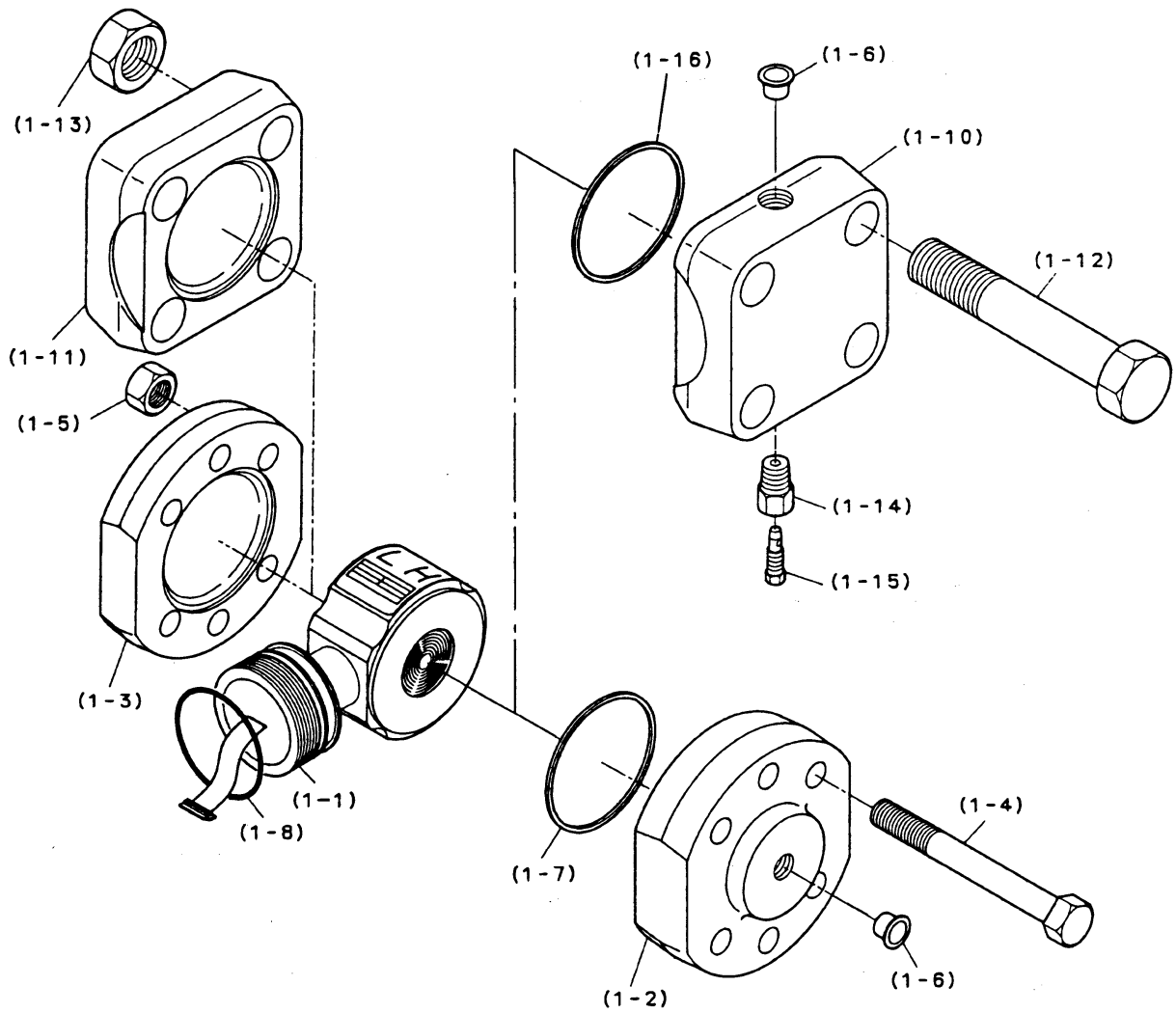
Table (e) : Flange(Key No.3)

Connection	Material	Model	Part No.
Rc1/2	Carbon steel	JTG940 JTG960	80269535-001
Rc1/2	SUS316		80269535-002
1/2NPT	Carbon steel		80269535-004
1/2NPT	SUS316		80269535-005
Rc1/4	Carbon steel		80269535-007
Rc1/4	SUS316		80269535-009
1/4NPT	Carbon steel		80269535-009
1/4NPT	SUS316		80269535-010

# Meter Body Assembly

## 1. Meter Body Assembly

JTG 980



ST3000 Ace	Electronic Differential Pressure Transmitter	JTG	1st Edit : 93-5-6 Rev. (3) : Jul. 2003	PL2-5290-0100 41 of 57
---------------	---	-----	---	---------------------------

# Meter Body Assembly

## (3) Meter Body Assembly Parts List (Continued)

Key No.	Description	Quantity	Part No.
1	Meter body assembly	1	(1)Order complete model No. JMG
(1-1)	Center body assembly, STD (With PROM board assembly)	(1)	(2)See table(a) (80277750-572)
(1-1)	Center body assembly, For Degreasing (With PROM board assembly)	(1)	(80277750-672)
(1-2)	End cover, Rc1/4, carbon steel	(1)	(80277270-011)
(1-2)	End cover, Rc1/4, SUS316	(1)	(80277270-021)
(1-2)	End cover, 1/4NPT, carbon steel	(1)	(80277270-012)
(1-2)	End cover, 1/4NPT, SUS316	(1)	(80277270-022)
(1-2)	End cover, Rc1/2, carbon steel	(1)	(80277270-013)
(1-2)	End coer, Rc1/2, SUS316	(1)	(80277270-023)
(1-2)	End cover, 1/2NPT, carbon steel	(1)	(80277270-014)
(1-2)	End cover, 1/2NPT, SUS316	(1)	(80277270-024)
(1-3)	End cover, carbon steel	(1)	(80277273-001)
(1-3)	End cover, SUS316	(1)	(80277273-002)
(1-4)	Bolt, SNB7	(6)	(80355512-005)
(1-4)	Bolt, SUS304	(6)	(80355512-006)
(1-4)	Bolt, SUS630	(6)	(80355512-205)
(1-5)	Nut, S45C	(6)	(80276390-001)
(1-5)	Nut, SUS304	(6)	(80276390-002)
(1-5)	Nut, SUS630	(6)	(80276390-003)
(1-6)	Plastic plug, Rc1/2, 1/2NPT	(1)	(400-006)
(1-6)	Plastic plug, Rc1/4, 1/4NPT	(1)	(400-002)
(1-7)	Gasket	(1)	(80276420-001)
(1-8)	“O” ring	(1)	(80020935-825)
(1-10)	End cover, Rc1/4, carbon steel	(1)	(80277100-011)
(1-10)	End cover, Rc1/4, SUS316	(1)	(80277100-021)
(1-10)	End cover, 1/4NPT, carbon steel	(1)	(80277100-012)
(1-10)	End cover, 1/4NPT, SUS316	(1)	(80277100-022)
(1-11)	End cover, carbon steel	(1)	(80277272-001)
(1-11)	End cover, SUS316	(1)	(80277272-002)
(1-12)	Bolt, SNB7	(4)	(80277115-001)
(1-12)	Bolt, SUS304	(4)	(80277115-002)
(1-12)	Bolt, SUS630	(4)	(80277115-003)
(1-13)	Nut, S45C	(4)	(80277116-001)
(1-13)	Nut, SUS304	(4)	(80277116-002)
(1-13)	Nut, SUS630	(4)	(80277116-003)
(1-14)	Vent bushing	(1)	See table(c)
(1-15)	Vent plug	(1)	See table(c)
(1-16)	Gasket	(1)	(80276388-001)

ST3000	Electronic Differential Pressure	JTG	1st Edit : 93-5-6	PL2-5290-0100
Ace	Transmitter		Rev. (3) : Jul. 2003	42 of 57

# Meter Body Assembly

## (3) Meter Body Assembly Parts List (Continued)

Table (a) : Meter Body Assembly (Key No.1)

For Resale Meter Body (to be handled as a complete product)  
 Basic Model No.      Selection      Options  
 Model No. JMG    -  I  II  III -0000 -  IV

Description	I to III Selection										IV Options							
	I (*1)	II			III Process Connection						X	W	U	A	B	K	J	
		Cover & Diaphragm Material	For Standard Service	For Oxygen Service	For Chlorine Service	Side Connection			Top or Bottom Connection									
Model No. Ex. JMG980-A1L-00000-A						Rc1/2	1/2NPT	Rc1/4	1/4NPT	Rc1/4	1/4NPT	No Option	Stainless Bolts and Nuts,SUS304	Stainless Bolts and Nuts,SUS630	Corrosion-proof Painting	Corrosion-proof	For Degreasing	Long & Drain Plug
	Model No.	-	1	2	5	L	G	D	A	S	T	X	W	U	A	B	K	J
Gage Press.	Basic Model No.																	
For Gage Press. JMG980 (14-420kgf/cm <sup>2</sup> )	JMG980	A	○			○	○	○	○	○	○	○	○	○	○	○	○	○
		E	○			○	○	○	○	○	○	○	○	○	○	○	○	○
			○			○	○	○	○	○	○	○	○	○	○	○	○	○

Note \*1 : See Table(b)

ST3000 Ace	Electronic Differential Pressure Transmitter	JTG	1st Edit : 93-5-6 Rev. (3) : Jul. 2003	PL2-5290-0100 43 of 57
---------------	---	-----	---	---------------------------

# Meter Body Assembly

## (3) Meter Body Assembly Parts List(Continued)

Table (b) : Cover & Diaphragm Material & Selection Model No.

Selection Model No. I	Cover Material	Vent Drain Plug Material	Diaphragm Material
A	Carbon Steel	SUS316	SUS316(Diaphragm;SUS316L)
E	SUSF316	SUS316	SUS316(Diaphragm;SUS316L)

Table (c) : Vent Bushing(Key No.1-14)& Vent Plug(Key No.1-15)

Basic Model No.	Selection Model No.	Material	Process Connection		Part No.			
			Selection Model No.		Vent Bushing		Vent Plug	
			Side Connection	Top or Bottom Connection	Standard type	Long type		
JTG980	A, E	SUS316	L	S	Rc1/2	80269540-001	80274992-001	80269468-001
			D		Rc1/4			
			G	T	1/2NPT	80269540-002	80274992-002	
			A		1/4NPT			

# Meter Body Assembly

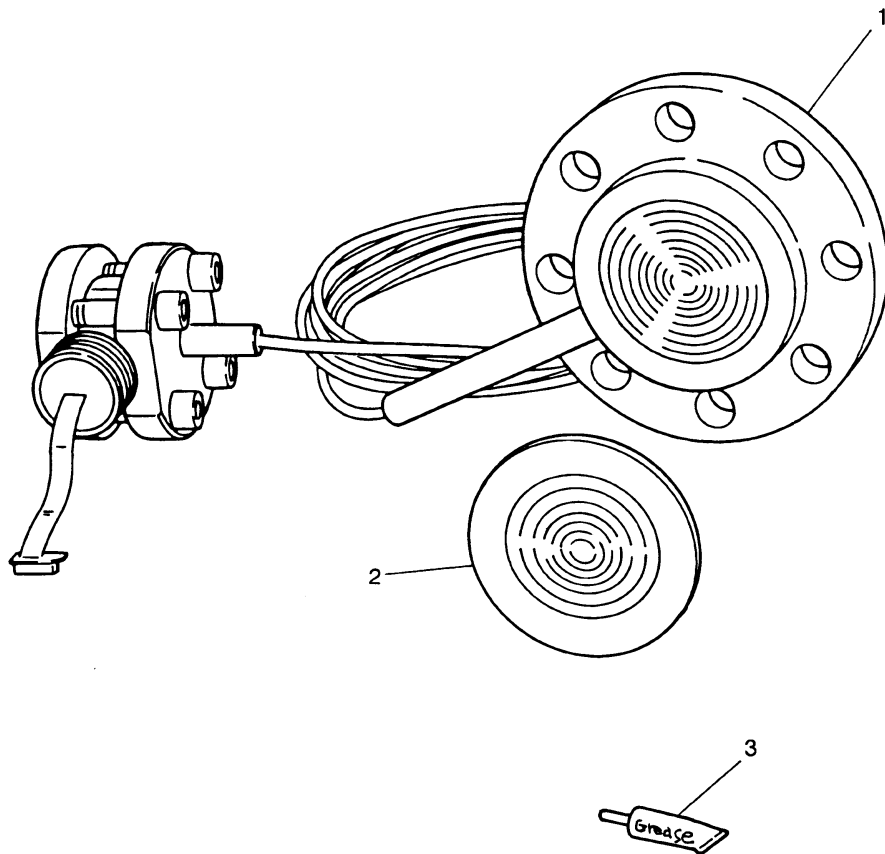
## 1. Meter Body Assembly (JMU)

JTU 940

JTU 960

JTU 980

JMU 960



ST3000 Ace	Electronic Differential Pressure Transmitter	JTU	1st Edit : 93-5-6 Rev. (3) : Jul. 2003	PL2-5290-0100 45 of 57
---------------	---	-----	---	---------------------------

# Meter Body Assembly

## (3) Meter Body Assembly Parts List (Continued)

Key No.	Description	Quantity	Part No.
1	Meter body assembly	1	Order complete model No. JMU
2	FEP cover	1	(80277984-001)
3	Grease(Net 50g)	1	(80277983-001)

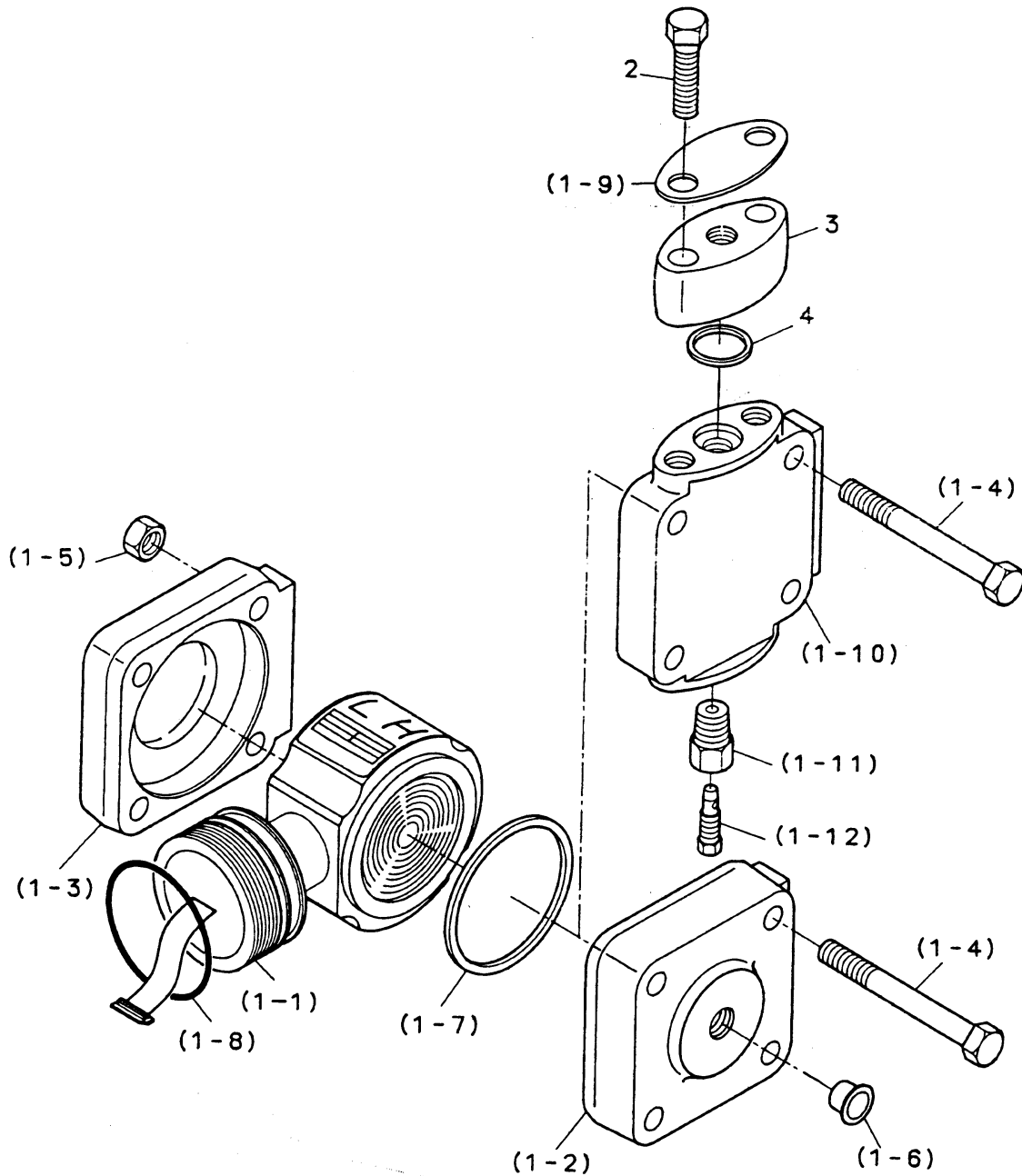
ST3000 Ace	Electronic Differential Pressure Transmitter	JTU	1st Edit : 93-5-6 Rev. (3) : Jul. 2003	PL2-5290-0100 46 of 57
---------------	---	-----	---	---------------------------

# Meter Body Assembly

## 1. Meter Body Assembly

JTA 922

JTA 940



ST3000 Ace	Electronic Differential Pressure Transmitter	JTA	1st Edit : 93-5-6 Rev. (3) : Jul. 2003	PL2-5290-0100 47 of 57
---------------	---	-----	---	---------------------------

# Meter Body Assembly

## (3) Meter Body Assembly Parts List (Continued)

Key No.	Description	Quantity	Part No.
1	Meter body assembly	1	(1)Order complete model No. JMA (2)See table(a)
(1-1)	Center body assembly (With PROM board assembly)	(1)	See table(c)
(1-2)	End cover, Rc1/4, carbon steel	(1)	(80277137-011)
(1-2)	End cover, Rc1/4, SUS316	(1)	(80277137-021)
(1-2)	End cover, 1/4NPT, carbon steel	(1)	(80277137-012)
(1-2)	End cover, 1/4NPT, SUS316	(1)	(80277137-022)
(1-2)	End cover, Rc1/2, carbon steel	(1)	(80277137-013)
(1-2)	End cover, Rc1/2, SUS316	(1)	(80277137-023)
(1-2)	End cover, 1/2NPT, carbon steel	(1)	(80277137-014)
(1-2)	End cover, 1/2NPT, SUS316	(1)	(80277137-024)
(1-3)	End cover, carbon steel	(1)	(80277198-001)
(1-3)	End cover, SUS316	(1)	(80277198-002)
(1-4)	Bolt, SNB7	(4)	(80276389-001)
(1-4)	Bolt, SUS304	(4)	(80276389-003)
(1-5)	Nut, S45C	(4)	(80276390-001)
(1-5)	Nut, SUS304	(4)	(80276390-002)
(1-6)	Plastic plug, Rc1/2, 1/2NPT	(1)	(400-006)
(1-6)	Plastic plug, Rc1/4, 1/4NPT	(1)	(400-002)
(1-7)	Gasket	(1)	(80276388-001)
(1-8)	“O” ring	(1)	(80020935-825)
(1-9)	Cover	(1)	(80277979-001)
(1-10)	End cover, Rc1/4, carbon steel	(1)	(80277768-001)
(1-10)	End cover, Rc1/4, SUS316	(1)	(80277768-002)
(1-10)	End cover, 1/4NPT, carbon steel	(1)	(80277768-003)
(1-10)	End cover, 1/4NPT, SUS316	(1)	(80277768-004)
(1-11)	Vent bushing	(1)	See table(d)
(1-12)	Vent plug	(1)	See table(d)
2	Bolt, carbon steel	2	80271420-001
2	Bolt, SUS304	2	80271420-007
3	Flange	1	See table(e)
4	Gasket	1	80274742-001

ST3000	Electronic Differential Pressure	JTA	1st Edit : 93-5-6	PL2-5290-0100
Ace	Transmitter		Rev. (3) : Jul. 2003	48 of 57

# Meter Body Assembly

## (3) Meter Body Assembly Parts List (Continued)

Table (a) : Meter Body Assembly (Key No.1)

For Resale Meter Body (to be handled as a complete product)

Basic Model No.      Selection      Options  
 Model No. JMA    -  I  II  III -0000 -  IV

Description	I to III Selection												IV Options						
	I (*1)	II			III Process Connection						X	W	F	A	B	K	J		
		Cover & Diaphragm Material	For Standard Service	For Oxygen Service	For Chlorine Service	Side Connection			Top or Bottom Connection										
Model No. Ex. JMA922-A1L-00000-A					Rc1/2	1/2NPT	Rc1/4	1/4NPT	Rc1/2	1/2NPT	Rc1/4	1/4NPT	No Option	Stainless Bolts and Nuts, SUS304	Steam Block(*2)	Corrosion-proof Painting	Corrosion-proof	For Degreasing	Long & Drain Plug
Model No.	-	1	2	5	L	G	D	A	Q	R	S	T	X	W	F	A	B	K	J
abs. Press.	Basic Model No.																		
For abs. Press. JMA922 (30-780mmH <sub>2</sub> O) JAM940 (0.7-35kgf/cm <sup>2</sup> )	JMA922	A	○		○	○	○	○	○	○	○	○	○	○	○	○	○	○	○
	JMA940	E	○		○	○	○	○	○	○	○	○	○	○	○	○	○	○	○
			○		○	○	○	○	○	○	○	○	○	○	○	○	○	○	○

Note \*1 : See Table(b)

\*2 : Only Top or Bottom Connection

ST3000 Ace	Electronic Differential Pressure Transmitter	JTA	1st Edit : 93-5-6 Rev. (3) : Jul. 2003	PL2-5290-0100 49 of 57
---------------	---	-----	---	---------------------------

# Meter Body Assembly

## (3) Meter Body Assembly Parts List (Continued)

Table (b) : Cover & Diaphragm Material & Selection Model No.

Selection Model No. I	Cover Material	Vent Drain Plug Material	Diaphragm Material
A	Carbon Steel	SUS316	SUS316(Diaphragm;SUS316L)
E	SUSF316	SUS316	SUS316(Diaphragm;SUS316L)

Table (c) : Center Body Assembly (Key No.1-1)

Basic Model No.	Options	Part No.
JTA922	STD	80277750-582
	Forr Degreasing	80277750-682
JTA940	STD	80277750-592
	For Degreasing	80277750-692

Table (d) : Vent Bushing(Key No.1-11)& Vent Plug (Key No.1-12)

Basic Model No.	Selection Model No.	Material	Process Connection			Part No.		
			Selection Model No.		Vent Bushing	Vent Plug		
			Front Connection	Top or Bottom Connection			Standard type	Long type
JTA922 JTA940	A, E	SUS316	L	Q	Rc1/2	80269540-001	80274992-001	80269468-001
			D	S	Rc1/4			
			G	R	1/2NPT	80269540-002	80274992-002	
			A	T	1/4NPT			

ST3000 Ace	Electronic Differential Pressure Transmitter	JTA	1st Edit : 93-5-6 Rev. (3) : Jul. 2003	PL2-5290-0100 50 of 57
---------------	---	-----	---	---------------------------

# Meter Body Assembly

## (3) Meter Body Assembly Parts List (Continued)

Table (e) : Flange (Key No.3)

Connection	Material	Model	Part No.
Rc1/2	Carbon steel	JTA922 JTA940	80269535-001
Rc1/2	SUS316		80269535-002
1/2NPT	Carbon steel		80269535-004
1/2NPT	SUS316		80269535-005
Rc1/4	Carbon steel		80269535-007
Rc1/4	SUS316		80269535-008
1/4NPT	Carbon steel		80269535-009
1/4NPT	SUS316		80269535-010

ST3000 Ace	Electronic Differential Pressure Transmitter	JTA	1st Edit : 93-5-6 Rev. (3) : Jul. 2003	PL2-5290-0100 51 of 57
---------------	---	-----	---	---------------------------

# Meter Body Assembly

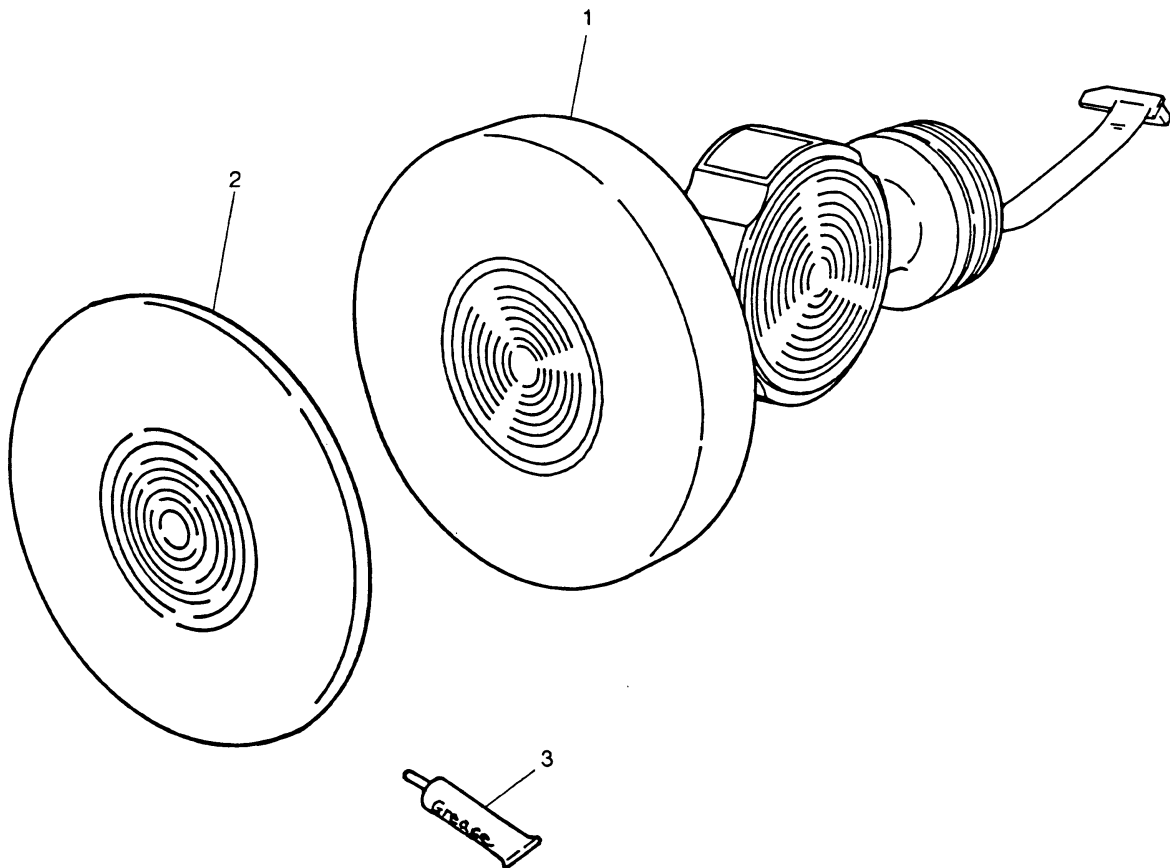
## 1. Meter Body Assembly (JMC)

JTC 926

JTC 929

JTC 940

JMC 926



ST3000 Ace	Electronic Differential Pressure Transmitter	JTC	1st Edit : 93-5-6 Rev. (3) : Jul. 2003	PL2-5290-0100 52 of 57
---------------	---	-----	---	---------------------------

# Meter Body Assembly

## (3) Meter Body Assembly Parts List (Continued)

Key No.	Description	Quantity	Part No.
1	Meter body assembly	1	Order complete model No. JMC
2	FEP cover(2B)	1	80277975-001
	FEP cover(1.5B)	1	80277975-002
3	Grease(Net 50g)	1	80277983-001

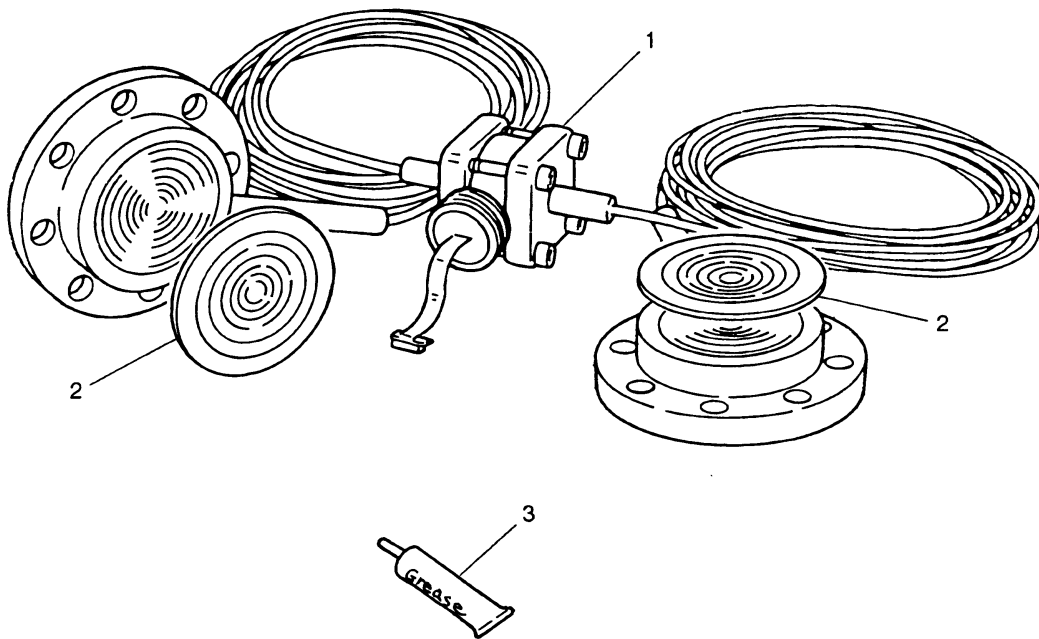
ST3000 Ace	Electronic Differential Pressure Transmitter	JTC	1st Edit : 93-5-6 Rev. (3) : Jul. 2003	PL2-5290-0100 53 of 57
---------------	---	-----	---	---------------------------

# Meter Body Assembly

## 1. Meter Body Assembly (JME)

JTE 929

JME 929



ST3000 Ace	Electronic Differential Pressure Transmitter	JTE	1st Edit : 93-5-6 Rev. (3) : Jul. 2003	PL2-5290-0100 54 of 57
---------------	---	-----	---	---------------------------

## Meter Body Assembly

### (3) Meter Body Assembly Parts List (Continued)

Key No.	Description	Quantity	Part No.
1	Meter body assembly	1	Order complete model No. JME
2	FEP Cover(2B)	1	80277975-001
	FEP Cover(1.5B)	1	80277975-002
3	Grease(Net 50g)	1	(80277983-001)

ST3000 Ace	Electronic Differential Pressure Transmitter	JTE	1st Edit : 93-5-6 Rev. (3) : Jul. 2003	PL2-5290-0100 55 of 57
---------------	---	-----	---	---------------------------

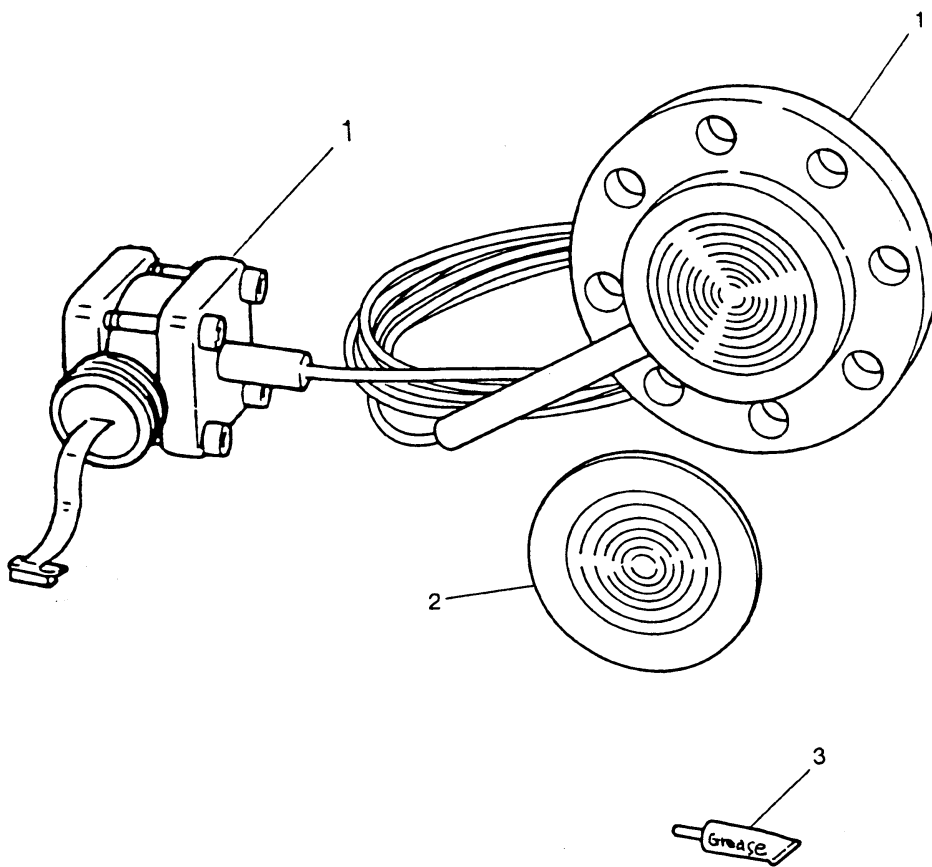
# Meter Body Assembly

## 1. Meter Body Assembly (JMH)

JTH 940

JTH 960

JMH 960



ST3000 Ace	Electronic Differential Pressure Transmitter	JTH	1st Edit : 93-5-6 Rev. (3) : Jul. 2003	PL2-5290-0100 56 of 57
---------------	---	-----	---	---------------------------

# Meter Body Assembly

## (3) Meter Body Assembly Parts List (Continued)

Key No.	Description	Quantity	Part No.
1	Meter body assembly	1	Order complete model No. JMH
2	FEP Cover(2B)	1	80277975-001
	FEP Cover(1.5B)	1	80277975-002
3	Grease(Net 50g)	1	(80277983-001)

ST3000 Ace	Electronic Differential Pressure Transmitter	JTH	1st Edit : 93-5-6 Rev. (3) : Jul. 2003	PL2-5290-0100 57 of 57
---------------	---	-----	---	---------------------------

