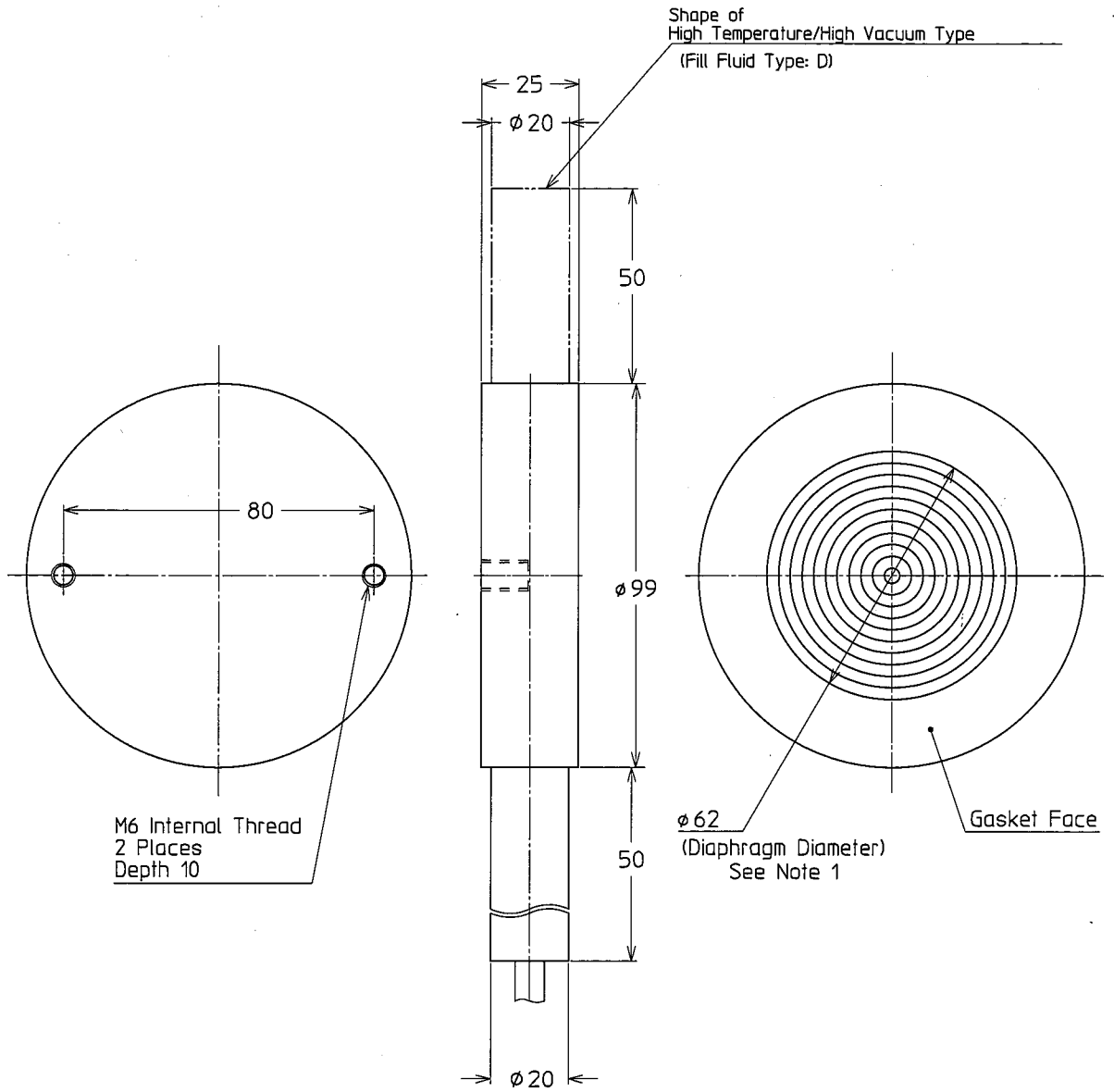


DIMENSIONAL DRAWING UNIT : mm



M6 Internal Thread
2 Places
Depth 10

$\phi 62$
(Diaphragm Diameter)
See Note 1

Gasket Face

0	08.7.1	K.Y / I.L.	3	••
1	••	••	4	••
2	••	••	5	••
3	••	••		
4	••	••		
5	••	••		

Note 1) Choose gaskets that do not touch diaphragm after installation.

AT9000 PROCESS CONNECTION OF REMOTE SEALED TYPE
GTX (2" WAFER)

MODEL NO.
2" WAFER

Yamatake Corporation

DATE JUL. 1. 08
REF.

DRAWING NO.
ED-526509-2

A B C D E