

# AT9000 Advanced Transmitter

## Model

GTX15D/30D/31D/32D/40D/41D/42D/71D/72D

GTX60G/71G/82G

GTX30A/60A

GTX35F/60F

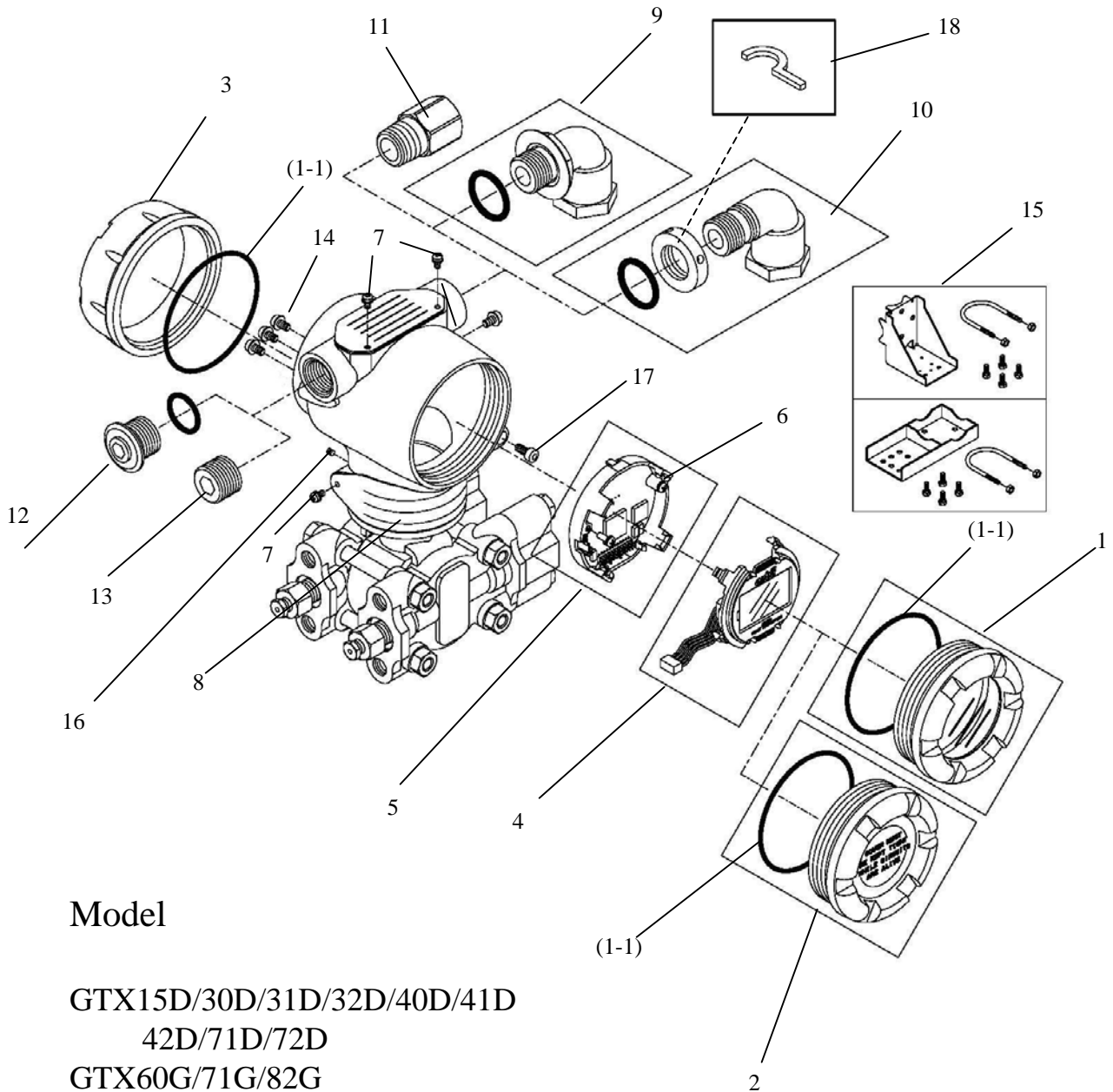
GTX35R/40R

GTX35U/60U/71U/82U

GTX30S/60S

## Parts List

# Case Assembly (Without meterbody)



## Model

- GTX15D/30D/31D/32D/40D/41D  
42D/71D/72D
- GTX60G/71G/82G
- GTX30A/60A
- GTX35F/60F
- GTX35R/40R
- GTX35U/60U/71U/82U
- GTX30S/60S

### Case Assembly Parts List (Without meterbody)

Key No.	Description	Quantity	Part No.
1	Cap assembly with glass window	1set	See table (a)
(1-2)	O-ring	1	80020935-8400C
2	Cap assembly without glass window	1set	See table (b)
3	Cap for terminal box (Standard Paint)	1	80372558-00100
3	Cap for terminal box (Corrosion-proof Paint)	1	80372558-00300
3	Cap for terminal box (Corrosion-resistant(Silver color))	1	80372558-00400
4	Indicator (LCD) assembly	1	See table (c)
5	Electronics module assembly	1	See table (d)
6	Screw	2	80372570-00100
7	Screw	4	HS397203-0600C
8	Name plate*	1	80372578-00100
9	Elbow (1/2NPT)	1	80357207-00500
10	Elbow (G1/2)	1	80357206-10700
11	Conversion adapter (M20)	1	80370407-00100
12	Blind plug with O-ring (G1/2)	1	80377115-0010C
13	Blind plug (1/2NPT) (For Explosion proof code: Excluding A1,E1and K1)	1	80277971-00100
	Blind plug (1/2NPT) (For Explosion proof code: A1,E1and K1)	1	80372545-00100
14	Screw	3	80277581-00100
15	Mounting bracket kit	1set	See table (e)
16	Screw	1	HS318206-08000
17	Screw	2	HS314204-0800C
18	Tool for retaining ring of Elbow (G1/2)	1	80277877-00100

\*Let us know MODEL, TAG No., Product No., and RANGE.

### Case Assembly Parts List (Continued)

**Table (a): Cap assembly with glass window (Key No.1)**

Key No.1		Paint	Part No.
a-1	Cap with glass with O ring	Standard	80372560-00100
a-2			
a-3			

**Table (b): Cap assembly without glass window (Key No.2)**

Key No.2		Paint	Part No.
b-1	Cap without glass with O ring	Standard	80372565-00100
b-2			
b-3			

**Table (c): Indicator (LCD) assembly (Key No.4)**

Key No.4		External zero/span adjustment	Part No.
c-1	Meter assembly	With zero/span adjustment	80372434-00100
c-2		Without zero/span adjustment	80372434-00200

Case Assembly Parts List (Continued)

Table (d): Electronics module\* (Key No.5)

Key No.5	Output	Failure alarm	NAMUR (Option code Q2)	Indicator	Alarm Output (Option code Q7)	Part No.	
d-1	Code A (SFN communication) without option code Q1	Upper limit	Without Q2	With Indicator	Without Q7	80372666-	
d-2				With Q7	01100		
d-3				Without Indicator	Without Q7		01200
d-4				With Q7	01300		
d-5			With Q2	Without Indicator	Without Q7		01400
d-6				With Indicator	Without Q7		03100
d-7				With Q7	03200		
d-8				Without Indicator	Without Q7		03300
d-9		Lower limit	Without Q2	With Indicator	Without Q7		03400
d-10				With Q7	11100		
d-11				Without Indicator	Without Q7		11200
d-12				With Q7	11300		
d-13			With Q2	Without Indicator	Without Q7		11400
d-14				With Indicator	Without Q7		13100
d-15				With Q7	13200		
d-16				Without Indicator	Without Q7		13300
d-17	Code B (HART communication) without option code Q1	Upper limit	Without Q2	With Indicator	Without Q7	13400	
d-18				With Q7	21100		
d-19				Without Indicator	Without Q7	21200	
d-20				With Q7	21300		
d-21			With Q2	Without Indicator	Without Q7	21400	
d-22				With Indicator	Without Q7	23100	
d-23				With Q7	23200		
d-24				Without Indicator	Without Q7	23300	
d-25		Lower limit	Without Q2	With Indicator	Without Q7	23400	
d-26				With Q7	31100		
d-27				Without Indicator	Without Q7	31200	
d-28				With Q7	31300		
d-29			With Q2	Without Indicator	Without Q7	31400	
d-30				With Indicator	Without Q7	33100	
d-31				With Q7	33200		
d-32				Without Indicator	Without Q7	33300	
d-33	Code D (DE communication) without option code Q1	Upper limit	Without Q2	With Indicator	Without Q7	33400	
d-34				With Q7	41100		
d-35				Without Indicator	Without Q7	41200	
d-36				With Q7	41300		
d-37			With Q2	Without Indicator	Without Q7	41400	
d-38				With Indicator	Without Q7	43100	
d-39				With Q7	43200		
d-40				Without Indicator	Without Q7	43300	
d-41		Lower limit	Without Q2	With Indicator	Without Q7	43400	
d-42				With Q7	51100		
d-43				Without Indicator	Without Q7	51200	
d-44				With Q7	51300		
d-45			With Q2	Without Indicator	Without Q7	51400	
d-46				With Indicator	Without Q7	53100	
d-47				With Q7	53200		
d-48				Without Indicator	Without Q7	53300	
				With Q7	53400		

\*Electronics module is not available for option code "Q1".

**Case Assembly Parts List (Continued)**

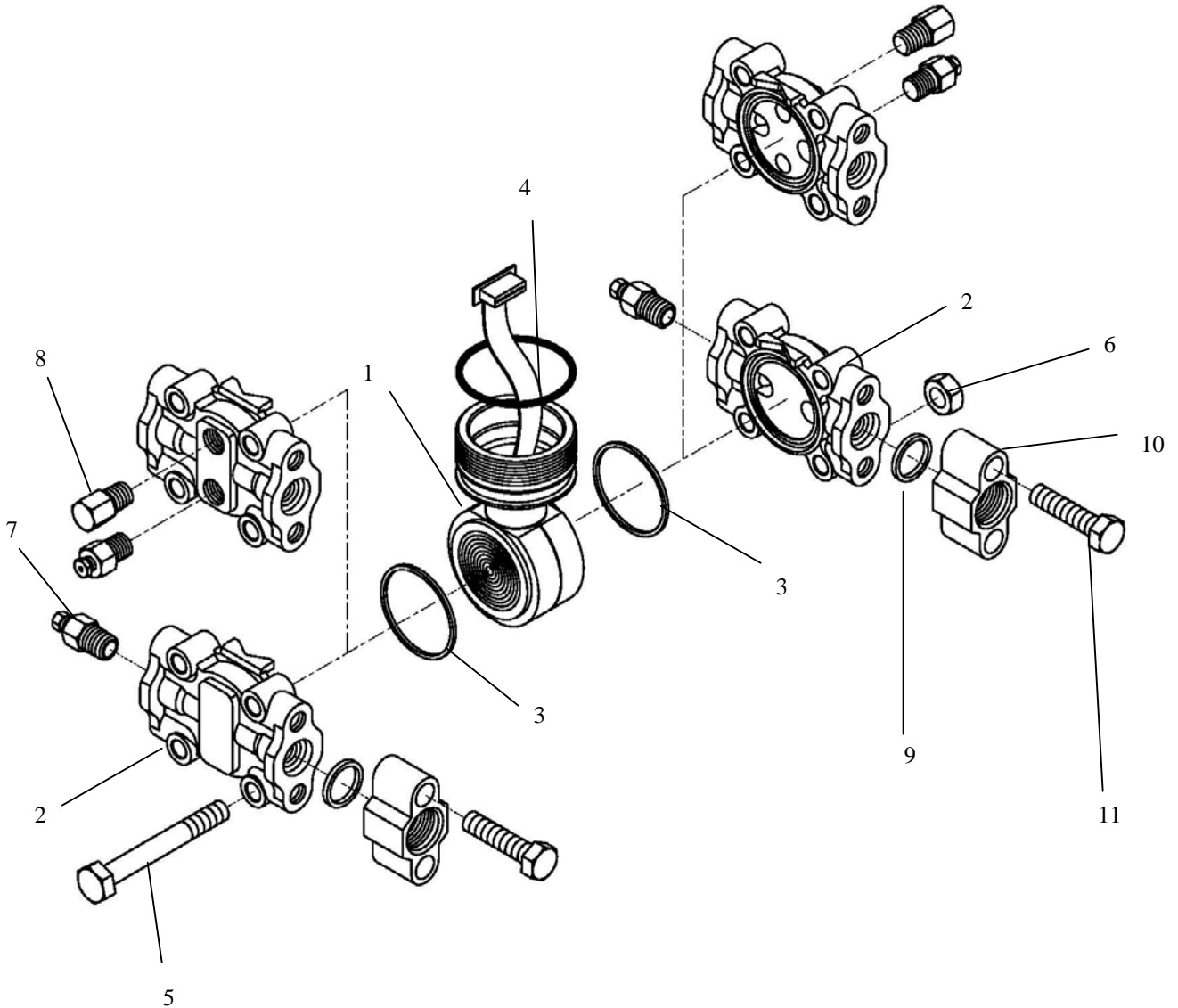
**Table (e): Mounting bracket kit**

Key No.15	Type	Applicable Model No.	Wetted parts material	Part No.
e-1	Carbon steel L form	GTX15D	316 SST	80279919-02800
		GTX30D/31D/40D/41D	316 SST/ASTM B575	
		GTX71D	316 SST	
		GTX60G/71G	316 SST/ASTM B575	
		GTX30A/60A	316 SST	
e-2	Carbon steel flat form	GTX32D/42D/72D	316 SST	80279919-02700
		GTX82G	316 SST/ASTM B575	
		GTX_R/U/S	All	
e-3	Carbon steel flat form for corrosion type	GTX31D/41D	Tantalum/316L SST	80279919-03100
		GTX71D	Tantalum/ASTM B575/316L SST	
		GTX60G/71G	Tantalum/316L SST	
		GTX30A/60A	Tantalum/316L SST/ASTM B575	
e-4	304 SST L form	GTX15D	316 SST	80279919-03000
		GTX30D/31D/40D/41D	316 SST/ASTM B575	
		GTX71D	316 SST	
		GTX60G/71G	316 SST/ASTM B575	
		GTX30A/60A	316 SST	
e-5	304 SST flat form	GTX32D/42D/72D	316 SST	80279919-02900
		GTX82G	316 SST/ASTM B575	
		GTX_R/U/S	All	
e-6	304 SST flat form for corrosion type	GTX31D/41D	Tantalum/316L SST	80279919-03200
		GTX71D	Tantalum/ASTM B575/316L SST	
		GTX60G/71G	Tantalum/316L SST	
		GTX30A/60A	Tantalum/316L SST/ASTM B575	

# Meterbody Assembly

GTX15D/30D/40D

Wetted parts material  
316 SST only



# Meterbody Assembly

GTX15D/30D/40D

## Meterbody Assembly Parts List

Key No.	Description	Quantity	Part No.
1	Center body assembly	1set	See Table (a)
2	Process Flange, Rc1/4, SCS14A	2	80372585-00200
2	Process Flange, 1/4NPT, SCS14A	2	80372585-00100
2	Process Flange for side vent type, Rc1/4, SCS14A	2	80372585-10200
2	Process Flange for side vent type, 1/4NPT, SCS14A	2	80372585-10100
3	Gasket	2	80277767-00100
4	O-ring	1	80020935-71900
5	Bolts 304 SST	4	80372369-01200
6	Nuts 304 SST	4	80372370-00200
7	Vent plug & Vent bushing	1set	See Table (b)
8	Plug, Rc1/4	4	80053702-1660C
8	Plug, 1/4NPT	4	80053702-2660C
9	Gasket	2	80274742-001
10	Adapter flange	2	See Table (c)
11	Bolts, 304 SST	4	80271420-00700

# Meterbody Assembly

GTX15D/30D/40D

## Meterbody Assembly Parts List (Continued)

**Table (a): GTX15D Center body assembly (Key No.1)**  
**(Wetted parts material:316 SST)**

Key No.1	Description	Paint	Quantity	Part No.
a-1	Silicone oil (With O-ring)	Excluding Corrosion-proof	1set	80372665-30200
a-2	Fluorine oil (With O-ring)	Excluding Corrosion-proof	1set	80372665-40200
a-3	Silicone oil (With O-ring)	Corrosion-proof	1set	80372668-30200
a-4	Fluorine oil (With O-ring)	Corrosion-proof	1set	80372668-40200

**Table (a): GTX30D Center body assembly (Key No.1)**  
**(Wetted parts material:316 SST)**

Key No.1	Description	Paint	Quantity	Part No.
a-5	Silicone oil (With O-ring)	Excluding Corrosion-proof	1set	80372665-01200
a-6	Fluorine oil (With O-ring)	Excluding Corrosion-proof	1set	80372665-11200
a-7	Silicone oil (With O-ring)	Corrosion-proof	1set	80372668-01200
a-8	Fluorine oil (With O-ring)	Corrosion-proof	1set	80372668-11200

**Table (a): GTX40D Center body assembly (Key No.1)**  
**(Wetted parts material:316 SST)**

Key No.1	Description	Paint	Quantity	Part No.
a-9	Silicone oil (With O-ring)	Excluding Corrosion-proof	1set	80372665-02200
a-10	Fluorine oil (With O-ring)	Excluding Corrosion-proof	1set	80372665-12200
a-11	Silicone oil (With O-ring)	Corrosion-proof	1set	80372668-02200
a-12	Fluorine oil (With O-ring)	Corrosion-proof	1set	80372668-12200

# Meterbody Assembly

GTX15D/30D/40D

## Meterbody Assembly Parts List (Continued)

**Table (b): Vent plug & Vent bushing (Key No.7)**

Key No.7	Description	Quantity	Part No.
b-1	Rc1/4, 316 SST, Standard	2	80277977-00100
b-2	1/4NPT, 316 SST, Standard	2	80277977-00200
b-3	Rc1/4, 316 SST, Long type	2	80277977-00500
b-4	1/4NPT, 316 SST, Long type	2	80277977-00600

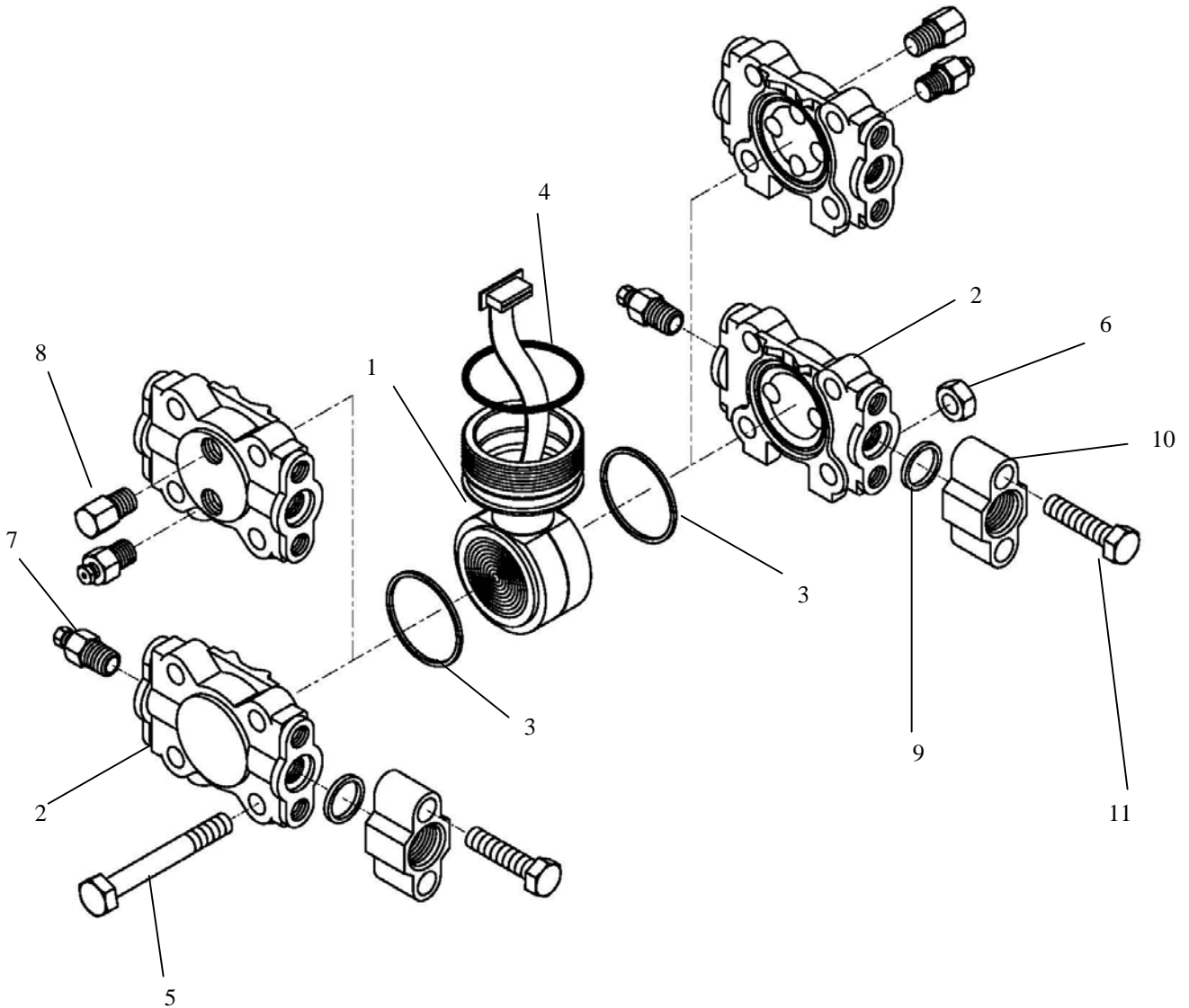
**Table (c): Adapter flange (Key No.10)**

Key No.10	Description	Quantity	Part No.
c-1	Rc1/2, SCS14A	2	80370611-01100
c-2	1/2NPT, SCS14A	2	80370611-00100
c-3	Rc1/4, SCS14A	2	80370611-01200
c-4	1/4NPT, SCS14A	2	80370611-00200

# Meterbody Assembly

GTX31D/41D/71D

Wetted parts material  
316 SST only



# Meterbody Assembly

GTX31D/41D/71D

## Meterbody Assembly Parts List

Key No.	Description	Quantity	Part No.
1	Center body	1set	See Table (a)
2	Process Flange	2	See Table (b)
3	Gasket	2	80277767-00100
4	O-ring	1	80020935-71900
5	Bolts	4	See Table (c)
6	Nuts S45C	4	80277766-00100
6	Nuts 304 SST	4	80277766-00200
6	Nuts 630 SST	4	80277766-00300
7	Vent plug & Vent bushing	1set	See Table (d)
8	Plug, Rc1/4	4	80053702-1660C
8	Plug, 1/4NPT	4	80053702-2660C
9	Gasket	2	80274742-00100
10	Adapter flange	2	See Table (e)
12	Bolts, 304 SST	1	80271420-00700

# Meterbody Assembly

GTX31D/41D/71D

## Meterbody Assembly Parts List (Continued)

**Table (a): GTX31D Center body assembly (Key No.1)**  
(Wetted parts material:316 SST)

Key No.1	Description	Paint	Quantity	Part No.
a-1	Silicone oil (With O-ring)	Excluding Corrosion-proof	1set	80372665-01200
a-2	Fluorine oil (With O-ring)	Excluding Corrosion-proof	1set	80372665-11200
a-3	Silicone oil (With O-ring)	Corrosion-proof	1set	80372668-01200
a-4	Fluorine oil (With O-ring)	Corrosion-proof	1set	80372668-11200

**Table (a): GTX41D Center body assembly (Key No.1)**  
(Wetted parts material:316 SST)

Key No.1	Description	Paint	Quantity	Part No.
a-5	Silicone oil (With O-ring)	Excluding Corrosion-proof	1set	80372665-02200
a-6	Fluorine oil (With O-ring)	Excluding Corrosion-proof	1set	80372665-12200
a-7	Silicone oil (With O-ring)	Corrosion-proof	1set	80372668-02200
a-8	Fluorine oil (With O-ring)	Corrosion-proof	1set	80372668-12200

**Table (a): GTX71D Center body assembly (Key No.1)**  
(Wetted parts material:316 SST)

Key No.1	Description	Paint	Quantity	Part No.
a-9	Silicone oil (With O-ring)	Excluding Corrosion-proof	1set	80372665-03200
a-10	Fluorine oil (With O-ring)	Excluding Corrosion-proof	1set	80372665-13200
a-11	Silicone oil (With O-ring)	Corrosion-proof	1set	80372668-03200
a-12	Fluorine oil (With O-ring)	Corrosion-proof	1set	80372668-13200

# Meterbody Assembly

GTX31D/41D/71D

## Meterbody Assembly Parts List (Continued)

**Table (b): Process flange (Key No.2)**

Key No.2	Description	Quantity	Part No.
b-1	Process Flange,Rc1/4, SCS14A	2	80370610-01100
b-2	Process Flange,1/4NPT, SCS14A	2	80370610-00100
b-3	Process Flange,Rc1/4, SCS14A for side vent type	2	80370610-11100
b-4	Process Flange,1/4NPT, SCS14A for side vent type	2	80370610-10100
b-5	Process Flange,Rc1/4, PVC	2	80370248-00100
b-6	Process Flange,1/4NPT, PVC	2	80370248-00200

# Meterbody Assembly

GTX31D/41D/71D

## Meterbody Assembly Parts List (Continued)

**Table (c): Bolts (Key No.3)**

Key No.3	Description	Applicable Model No.	Wetted parts material	Part No.
c-1	Bolts SNB7	GTX31D/41D	316 SS/ASTM B575	80277765-00100
		GTX71D	316 SST	
		GTX31D/41D	Tantalum/316L SST	80277765-02100
		GTX71D	Tantalum/ASTM B575/316L SST	
c-2	Bolts 304 SST (Material of Meterbody cover: SCS14A)	GTX31D/41D	316 SS/ASTM B575	80277765-00200
		GTX71D	316 SST	
		GTX31D/41D	Tantalum/316L SST	80277765-02200
		GTX71D	Tantalum/ASTM B575/316L SST	
c-3	Bolts 304 SST (Material of Meterbody cover: PVC)	GTX31D/41D	316 SS/ASTM B575	80277765-02200
		GTX71D	316 SST	
		GTX31D/41D	Tantalum/316L SST	80277765-04200
		GTX71D	Tantalum/ASTM B575/316L SST	
c-4	Bolts 630 SST	GTX31D/41D	316 SS/ASTM B575	80277765-20300
		GTX71D	316 SST	
		GTX31D/41D	Tantalum/316L SST	80277765-22300
		GTX71D	Tantalum/ASTM B575/316L SST	

## Meterbody Assembly

GTX31D/41D/71D

### Meterbody Assembly Parts List (Continued)

Table (d): Vent plug & Vent bushing (Key No.7)

Key No.7	Description	Quantity	Part No.
d-1	Rc1/4, 316 SST, Standard	2	80277977-00100
d-2	1/4NPT, 316 SST, Standard	2	80277977-00200
d-3	Rc1/4, 316 SST, Long type	2	80277977-00500
d-4	1/4NPT, 316 SST, Long type	2	80277977-00600
d-5	Rc1/4, PVC, Standard	2	80277977-01100
d-6	1/4NPT, PVC, Standard	2	80277977-01200

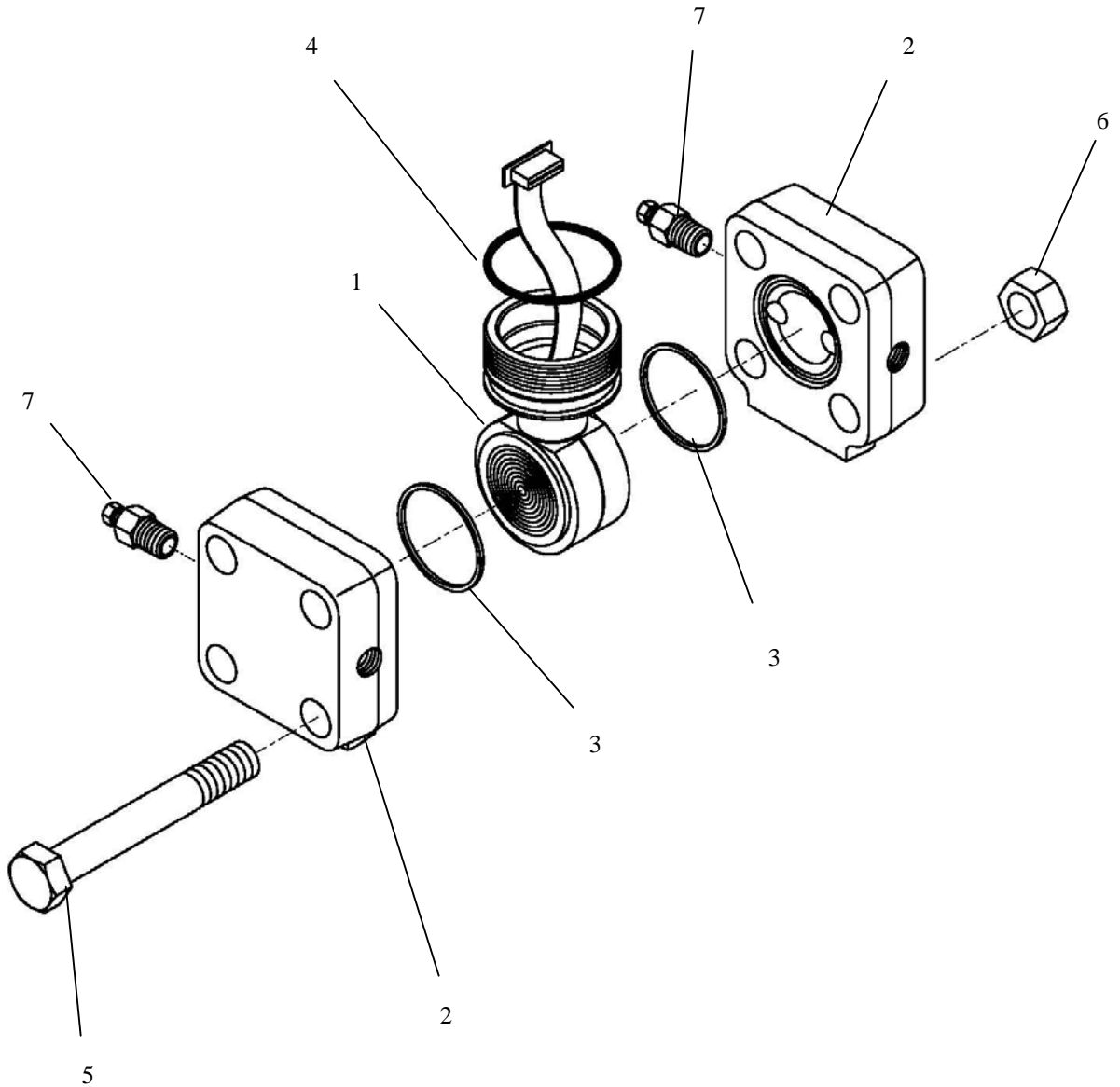
Table (e): Adapter flange (key No.10)

Key No.10	Connection	Quantity	Part No.
e-1	Rc1/2, SCS14A	2	80370611-01100
e-2	1/2NPT, SCS14A	2	80370611-00100
e-3	Rc1/4, SCS14A	2	80370611-01200
e-4	1/4NPT, SCS14A	2	80370611-00200
e-5	Rc1/2, PVC	2	80025717-00100
e-6	1/2NPT, PVC	2	80025717-00200

# Meterbody Assembly

GT32D/42D/72D

Wetted parts material  
316 SST only



# Meterbody Assembly

GT32D/42D/72D

## Meterbody Assembly Parts List (Continued)

Key No.	Description	Quantity	Part No.
1	Center body	1set	See Table (a)
2	Process Flange	2	See Table (b)
3	Gasket	2	80277767-00100
4	O-ring	1	80020935-71900
5	Bolts SNB7	4	80370246-00100
5	Bolts 304 SST	4	80370246-00200
5	Bolts 630 SST	4	80370246-20300
6	Nuts S45C	4	80370247-00100
6	Nuts 304 SST	4	80370247-00200
6	Nuts 630 SST	4	80370247-00300
7	Vent plug & Vent bushing	1set	See Table (c)

# Meterbody Assembly

GT32D/42D/72D

**Table (a): GTX32D Center body assembly  
(Wetted parts material:316 SST) (Key No.1)**

Key No.1	Description	Paint	Quantity	Part No.
a-1	Silicone oil (With O-ring)	Excluding Corrosion-proof	1set	80372665-00200
a-2	Fluorine oil (With O-ring)	Excluding Corrosion-proof	1set	80372665-11200
a-3	Silicone oil (With O-ring)	Corrosion-proof	1set	80372668-00200
a-4	Fluorine oil (With O-ring)	Corrosion-proof	1set	80372668-11200

**Table (a): GTX42D Center body assembly (Key No.1)  
(Wetted parts material:316 SST)**

Key No.1	Description	Paint	Quantity	Part No.
a-5	Silicone oil (With O-ring)	Excluding Corrosion-proof	1set	80372665-02200
a-6	Fluorine oil (With O-ring)	Excluding Corrosion-proof	1set	80372665-12200
a-7	Silicone oil (With O-ring)	Corrosion-proof	1set	80372668-02200
a-8	Fluorine oil (With O-ring)	Corrosion-proof	1set	80372668-12200

**Table (a): GTX72D Center body assembly (Key No.1)  
(Wetted parts material:316 SST)**

Key No.1	Description	Paint	Quantity	Part No.
a-9	Silicone oil (With O-ring)	Excluding Corrosion-proof	1set	80372665-03200
a-10	Fluorine oil (With O-ring)	Excluding Corrosion-proof	1set	80372665-13200
a-11	Silicone oil (With O-ring)	Corrosion-proof	1set	80372668-03200
a-12	Fluorine oil (With O-ring)	Corrosion-proof	1set	80372668-13200

# Meterbody Assembly

GT32D/42D/72D

## Meterbody Assembly Parts List (Continued)

**Table (b): Process flange (Key No.2)**

Key No.2	Description	Quantity	Part No.
b-1	Rc1/4, 316 SST	2	80370241-02100
b-2	1/4NPT, 316 SST	2	80370241-02200

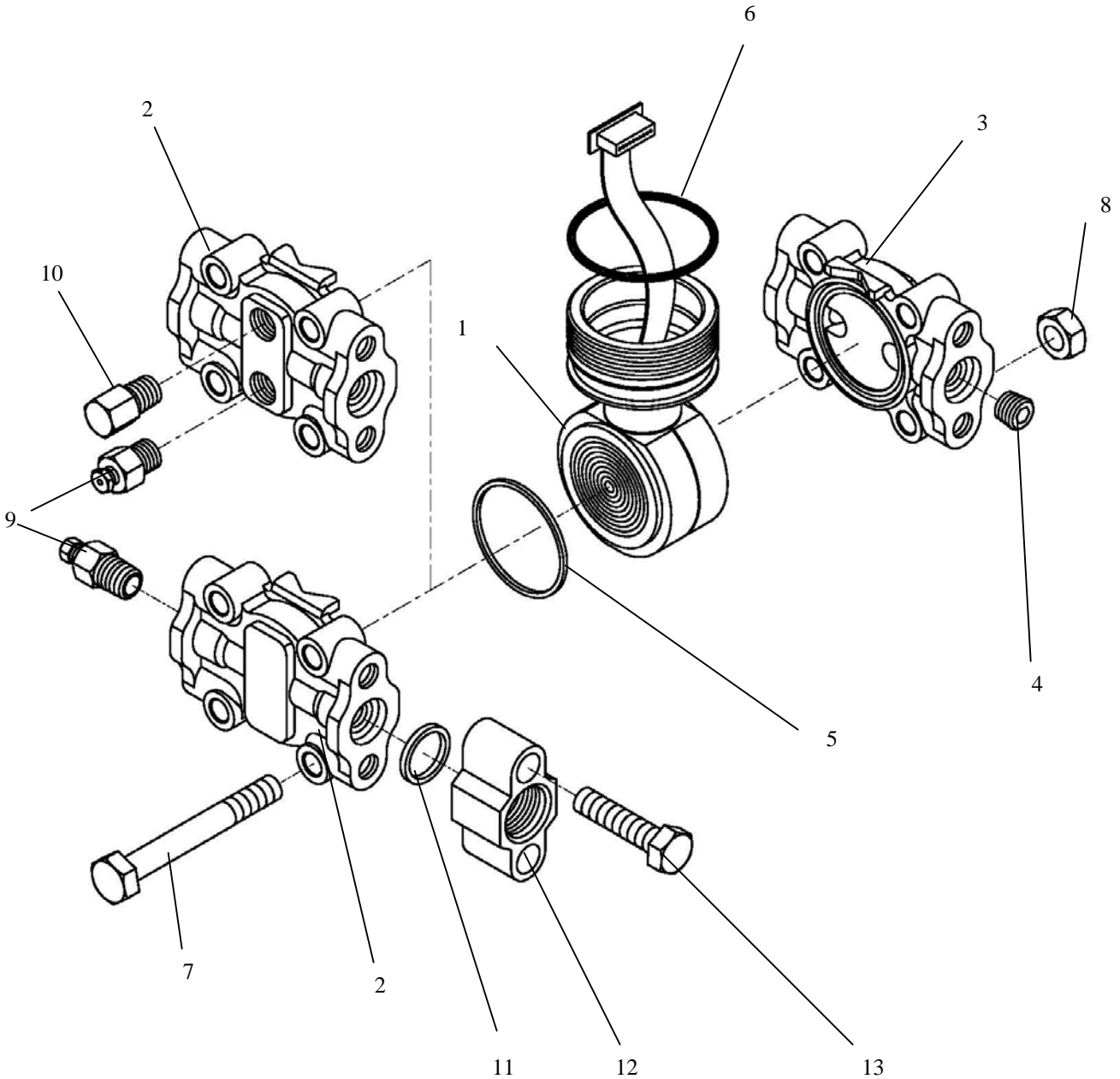
**Table (c): Vent plug & Vent bushing (Key No.7)**

Key No.7	Description	Quantity	Part No.
c-1	Rc1/4, 316 SST, Standard	2	80277977-00100
c-2	1/4NPT, 316 SST, Standard	2	80277977-00200
c-3	Rc1/4, 316 SST, Long type	2	80277977-00500
c-4	1/4NPT, 316 SST, Long type	2	80277977-00600

# Meterbody Assembly

GTX60G

Wetted parts material  
316 SST only



# Meterbody Assembly

GTX60G

## Meterbody Assembly Parts List (Continued)

Key No.	Description	Quantity	Part No.
1	Center body	1set	See Table (a)
2	Process Flange (HP side)	1	See Table (b)
3	Process Flange (LP side), SCS14A	1	80372588-00100
4	Plug 1/4NPT	1	80253894-0290C
5	Gasket	1	80277767-00100
6	O-ring	1	80020935-71900
7	Bolts	4	See Table (c)
8	Nuts 304 SST	4	80372370-00200
9	Vent plug & Vent bushing	1set	See Table (d)
10	Plug, Rc1/4	4	80053702-1660C
10	Plug, 1/4NPT	4	80053702-2660C
11	Gasket	2	80274742-00100
12	Adapter flange	1	See Table (e)
13	Bolts, 304 SST	4	80271420-00700

# Meterbody Assembly

GTX60G

## Meterbody Assembly Parts List (Continued)

Table (a): GTX60G Center body assembly (Key No.1)  
(Wetted parts material:316 SST)

Key No.1	Description	Quantity	Paint	Part No.
a-1	Silicone oil (With O-ring)	1set	Excluding Corrosion-proof	80372665-05200
a-2	Fluorine oil (With O-ring)	1set	Excluding Corrosion-proof	80372665-15200
a-3	Silicone oil (With O-ring)	1set	Corrosion-proof	80372668-05200
a-4	Fluorine oil (With O-ring)	1set	Corrosion-proof	80372668-15200

Table (b): Process flange : HP side (Key No.2)

Key No.2	Description	Quantity	Part No.
b-1	Process Flange,Rc1/4, SCS14A	1	80372585-00200
b-2	Process Flange,1/4NPT, SCS14A	1	80372585-00100
b-3	Process Flange,Rc1/4, SCS14A	1	80372585-10200
	for side vent type		
b-4	Process Flange,1/4NPT, SCS14A for side vent type	1	80372585-10100
b-5	Process Flange,Rc1/4, PVC	1	80370248-00100
b-6	Process Flange,1/4NPT, PVC	1	80370248-00200

# Meterbody Assembly

GTX60G

## Meterbody Assembly Parts List (Continued)

**Table (c): Bolts (Key No.7)**

Key No.7		Wetted parts material	Part No.
c-1	Bolts 304 SST (Material of Meterbody cover: SCS14A)	316 SST/ASTM B575	80372369-01200
c-2		Tantalum/316L SST	80277765-01200
c-3	Bolts 304 SST (Material of Meterbody cover: PVC)	316 SST/ASTM B575	80277765-01200
c-4		Tantalum/316L SST	80277765-02200

**Table (d): Vent plug & Vent bushing (Key No.9)**

Key No.9	Description	Quantity	Part No.
d-1	Rc1/4, 316 SST, Standard	1	80277977-00100
d-2	1/4NPT, 316 SST, Standard	1	80277977-00200
d-3	Rc1/4, 316 SST, Long type	1	80277977-00500
d-4	1/4NPT, 316 SST, Long type	1	80277977-00600
d-5	Rc1/4, PVC, Standard	1	80277977-01100
d-6	1/4NPT, PVC, Standard	1	80277977-01200

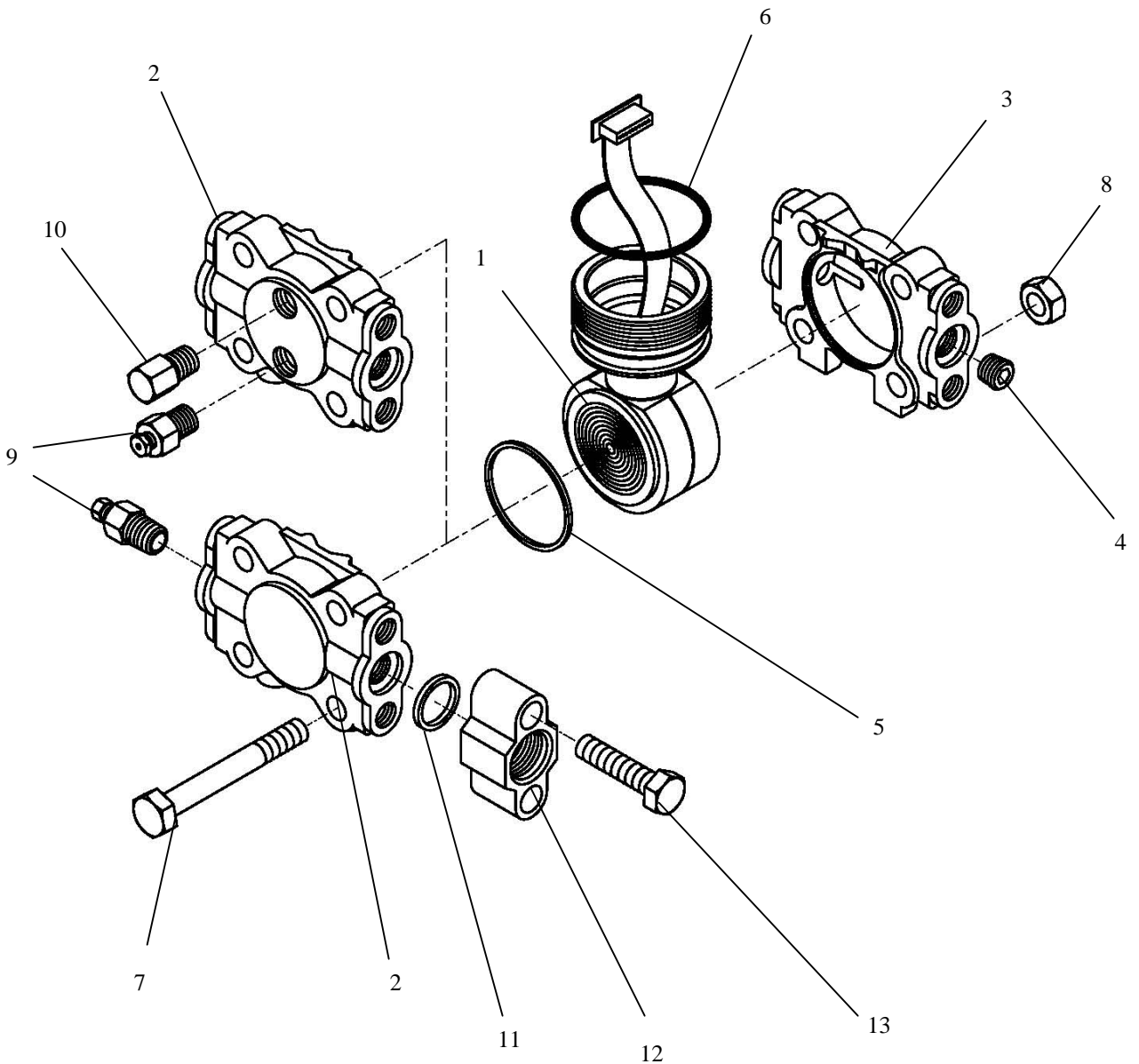
**Table (e): Adapter flange (Key No.12)**

Key No.12	Connection	Quantity	Part No.
e-1	Rc1/2, SCS14A	1	80370611-01100
e-2	1/2NPT, SCS14A	1	80370611-00100
e-3	Rc1/4, SCS14A	1	80370611-01200
e-4	1/4NPT, SCS14A	1	80370611-00200
e-5	Rc1/2, PVC	1	80025717-00100
e-6	1/2NPT, PVC	1	80025717-00200

# Meterbody Assembly

GTX71G

Wetted parts material  
316 SST only



# Meterbody Assembly

GTX71G

## Meterbody Assembly Parts List (Continued)

Key No.	Description	Quantity	Part No.
1	Center body	1set	See Table (a)
2	Process Flange (HP side)	1	See Table (b)
3	Process Flange (LP side), SCS14A	1	80372409-00100
4	Plug 1/4NPT	1	80253894-0290C
5	Gasket	1	80277767-00100
6	O-ring	1	80020935-71900
7	Bolts	4	See Table (c)
8	Nuts S45C	4	80277766-00100
8	Nuts 304 SST	10	80277766-00200
8	Nuts 630 SST	4	80277766-00300
9	Vent plug & Vent bushing	1set	See Table (d)
10	Plug, Rc1/4	4	80053702-1660C
10	Plug, 1/4NPT	4	80053702-2660C
11	Gasket	2	80274742-00100
12	Adapter flange	1	See Table (e)
13	Bolts, 304 SST	4	80271420-00700

# Meterbody Assembly

GTX71G

## Meterbody Assembly Parts List (Continued)

Table (a): GTX71G Center body assembly (Key No.1)

(Wetted parts material:316 SST)

Key No.1	Description	Quantity	Paint	Part No.
a-1	Silicone oil (With O-ring)	1 set	Excluding Corrosion-proof	80372665-06200
a-2	Fluorine oil (With O-ring)	1 set	Excluding Corrosion-proof	80372665-16200
a-3	Silicone oil (With O-ring)	1 set	Corrosion-proof	80372668-06200
a-4	Fluorine oil (With O-ring)	1 set	Corrosion-proof	80372668-16200

Table (b): Process flange : HP side (Key No.2)

Key No.2	Description	Quantity	Part No.
b-1	Process Flange,Rc1/4, SCS14A	1	80370235-00200
b-2	Process Flange,1/4NPT, SCS14A	1	80370235-00100
b-3	Process Flange,Rc1/4, SCS14A for side vent type	1	80370235-10200
b-4	Process Flange,1/4NPT, SCS14A for side vent type	1	80370235-10100

Table (c): Bolts (Key No.7)

Key No.7	Wetted parts material		Part No.
c-1	Bolts SNB7	316 SST/ASTM B575	80277765-00100
		Tantalum/316L SST	80277765-01100
c-2	Bolts 304 SST	316 SST/ASTM B575	80277765-00200
		Tantalum/316L SST	80277765-01200
c-3	Bolts 630 SST	316 SST/ASTM B575	80277765-20300
		Tantalum/316L SST	80277765-21300

# Meterbody Assembly

GTX71G

## Meterbody Assembly Parts List (Continued)

**Table (d): Vent plug & Vent bushing (Key No.9)**

Key No.9	Description	Quantity	Part No.
d-1	Rc1/4, 316 SST, Standard	1	80277977-00100
d-2	1/4NPT, 316 SST, Standard	1	80277977-00200
d-3	Rc1/4, 316 SST, Long type	1	80277977-00500
d-4	1/4NPT, 316 SST, Long type	1	80277977-00600

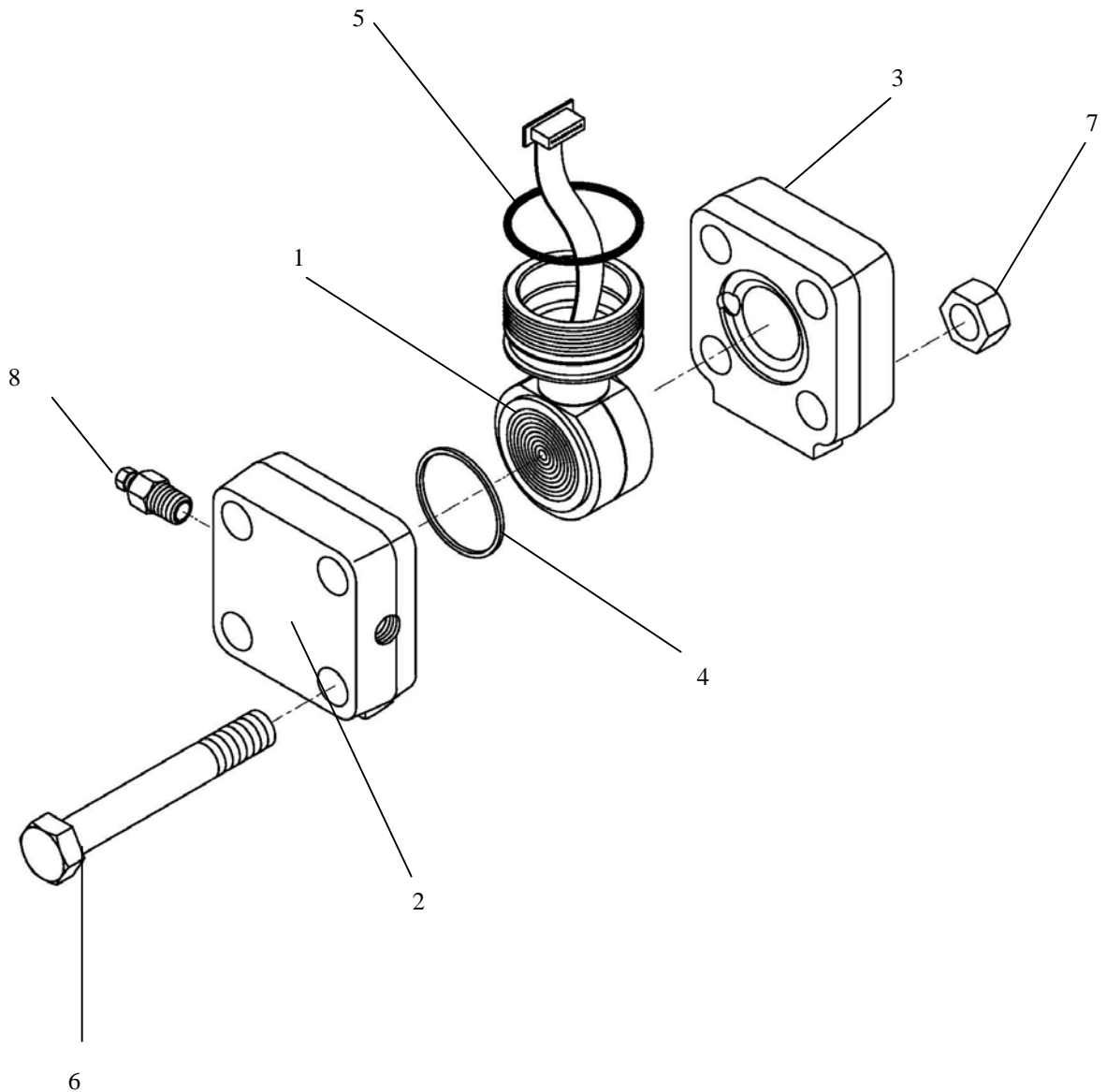
**Table (e): Adapter Flange (Key No.12)**

Key No.12	Description	Quantity	Part No.
e-1	Rc1/2, SCS14A	1	80370611-01100
e-2	1/2NPT, SCS14A	1	80370611-00100
e-3	Rc1/4, SCS14A	1	80370611-01200
e-4	1/4NPT, SCS14A	1	80370611-00200

# Meterbody Assembly

GT82G

Wetted parts material  
316 SST only



# Meterbody Assembly

GT82G

## Meterbody Assembly Parts List (Continued)

Key No.	Description	Quantity	Part No.
1	Center body	1set	See Table (a)
2	Process Flange (HP side)	1	See Table (b)
3	Process Flange, 316 SST	1	80370242-02100
4	Gasket	1	80277767-00100
5	O-ring	1	80020935-71900
6	Bolts SNB7	4	80370246-00100
6	Bolts 304 SST	4	80370246-00200
6	Bolts 630 SST	4	80370246-20300
7	Nuts S45C	4	80370247-00100
7	Nuts 304 SST	4	80370247-00200
7	Nuts 630 SST	4	80370247-00300
8	Vent plug & Vent bushing	1set	See Table (c)

# Meterbody Assembly

GT82G

**Table (a): GTX82G Center body assembly (Key No.1)**  
**(Wetted parts material:316 SST)**

Key No.1	Description	Quantity	Paint	Part No.
a-1	Silicone oil (With O-ring)	1set	Excluding Corrosion-proof	80372665-07200
a-2	Fluorine oil (With O-ring)	1set	Excluding Corrosion-proof	80372665-17200
a-3	Silicone oil (With O-ring)	1set	Corrosion-proof	80372668-07200
a-4	Fluorine oil (With O-ring)	1set	Corrosion-proof	80372668-17200

**Table (b): Process flange (HP side) (Key No.2)**

Key No.2	Description	Quantity	Part No.
b-1	Process Flange,Rc1/4, 316 SST	1	80370241-02100
b-2	Process Flange,1/4NPT, 316 SST	1	80370241-02200

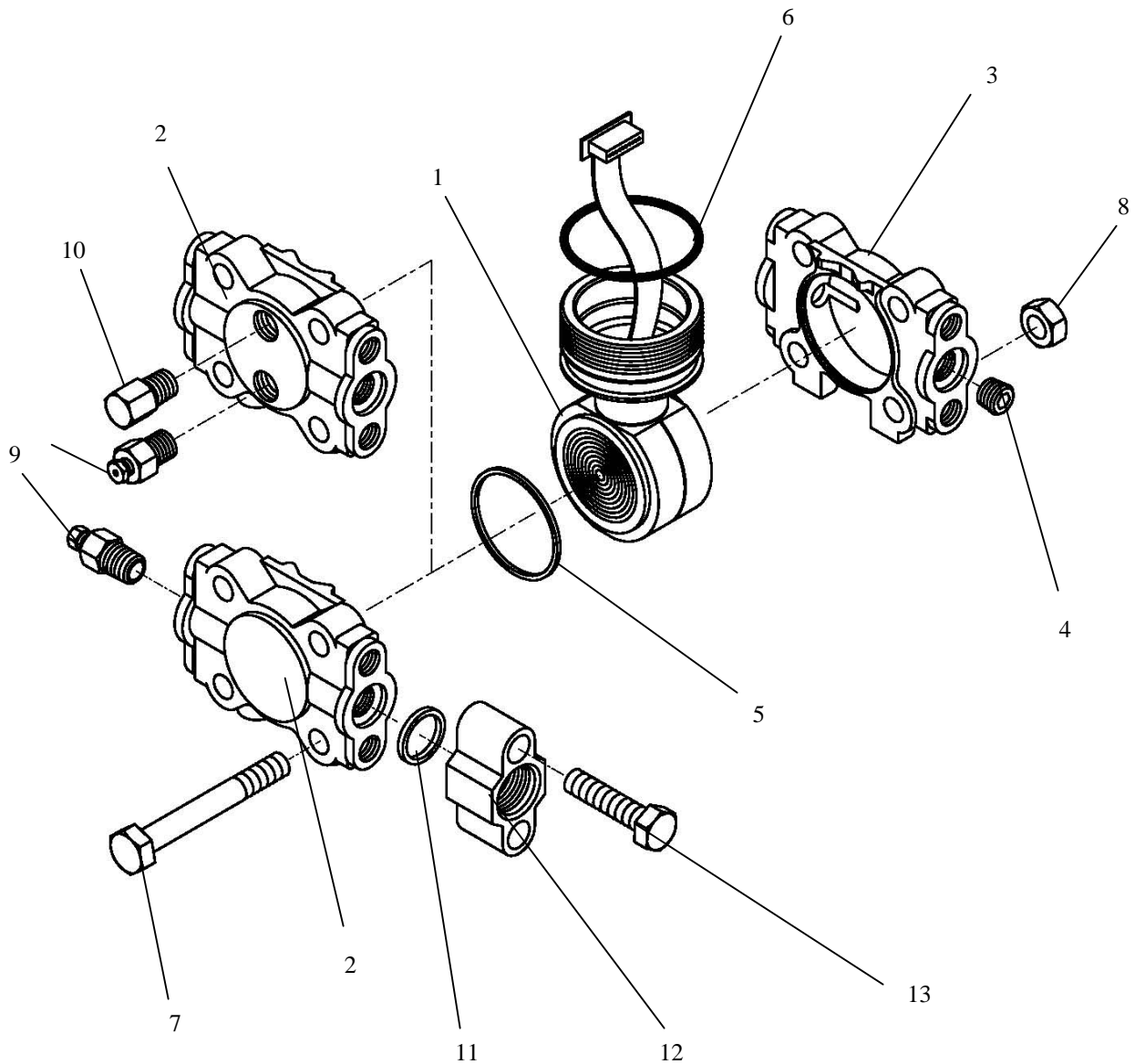
**Table (c): Vent plug & Vent bushing (Key No.8)**

Key No.8	Applicable Model No.	Quantity	Part No.
c-1	Rc1/4, 316 SST, Standard	1	80277977-00100
c-2	1/4NPT, 316 SST, Standard	1	80277977-00200
c-3	Rc1/4, 316 SST, Long type	1	80277977-00500
c-4	1/4NPT, 316 SST, Long type	1	80277977-00600

# Meterbody Assembly

GTX30A/60A

Wetted parts material  
316 SST only



# Meterbody Assembly

GTX30A/60A

## Meterbody Assembly Parts List (Continued)

Key No.	Description	Quantity	Part No.
1	Center body	1set	See Table (a)
2	Process Flange (HP side)	1	See Table (b)
3	Process Flange (LP side),	1	80372404-00100
4	Plug 1/4NPT	1	80253894-0290C
5	Gasket	1	80277767-00100
6	O-ring	1	80020935-71900
7	Bolts	4	See Table (c)
8	Nuts S45C	4	80277766-00100
8	Nuts 304 SST	4	80277766-00200
8	Nuts 630 SST	4	80277766-00300
9	Vent plug & Vent bushing	1set	See Table (d)
10	Plug, Rc1/4	4	80053702-1660C
10	Plug, 1/4NPT	4	80053702-2660C
11	Gasket	2	80274742-00100
12	Adapter flange	1	See Table (e)
13	Bolts, 304 SST	4	80271420-00700

# Meterbody Assembly

GTX30A/60A

**Table (a): GTX30A Center body assembly (Key No.1)**

**(Wetted parts material:316 SST)**

Key No.1	Description	Paint	Quantity	Part No.
a-1	Silicone oil (With O-ring)	Excluding Corrosion-proof	1 set	80372665-08200
a-2	Fluorine oil (With O-ring)	Excluding Corrosion-proof	1 set	80372665-18200
a-3	Silicone oil (With O-ring)	Corrosion-proof	1 set	80372668-08200
a-4	Fluorine oil (With O-ring)	Corrosion-proof	1 set	80372668-18200

**Table (a): GTX60A Center body assembly (Key No.1)**

**(Wetted parts material:316 SST)**

Key No.1	Description	Paint	Quantity	Part No.
a-5	Silicone oil (With O-ring)	Excluding Corrosion-proof	1 set	80372665-05600
a-6	Fluorine oil (With O-ring)	Excluding Corrosion-proof	1 set	80372665-19200
a-7	Silicone oil (With O-ring)	Corrosion-proof	1 set	80372668-05600
a-8	Fluorine oil (With O-ring)	Corrosion-proof	1 set	80372668-19200

# Meterbody Assembly

GTX30A/60A

**Table (b): Process flange : HP side (Key No.2)**

Key No.2	Description	Quantity	Part No.
b-1	Process Flange,Rc1/4, SCS14A	1	80370235-00200
b-2	Process Flange,1/4NPT, SCS14A	1	80370235-00100
b-3	Process Flange,Rc1/4, SCS14A for side vent type	1	80370235-10200
b-4	Process Flange,1/4NPT, SCS14A for side vent type	1	80370235-10100

## Meterbody Assembly

GTX30A/60A

**Table (c): Bolts (Key No.7)**

Key No.7		Wetted parts material	Part No.
c-1	Bolts SNB7	316 SST/ASTM B575	80277765-00100
		Tantalum/316L SST	80277765-01100
c-2	Bolts 304 SST	316 SST/ASTM B575	80277765-00200
		Tantalum/316L SST	80277765-01200
c-3	Bolts 630 SST	316 SST/ASTM B575	80277765-20300
		Tantalum/316L SST	80277765-21300

**Table (d): Vent plug & Vent bushing (Key No.9)**

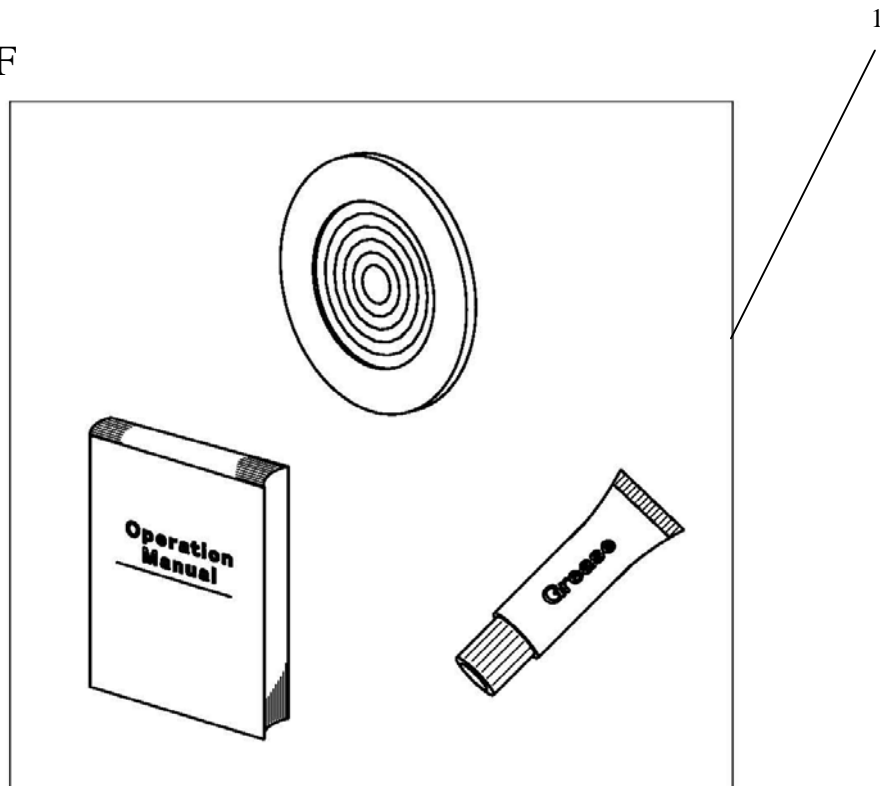
Key No.9	Description	Quantity	Part No.
d-1	Rc1/4, 316 SST, St'd	1	80277977-00100
d-2	1/4NPT, 316 SST, St'd	1	80277977-00200
d-3	Rc1/4, 316 SST, Long type	1	80277977-00500
d-4	1/4NPT, 316 SST, Long type	1	80277977-00600
d-5	Rc1/4, PVC, St'd	1	80277977-01100
d-6	1/4NPT, PVC, St'd	1	80277977-01200

**Table (e): Flange adapter (Key No.12)**

Key No.12	Description	Quantity	Part No.
e-1	Rc1/2, SCS14A	1	80370611-01100
e-2	1/2NPT, SCS14A	1	80370611-00100
e-3	Rc1/4, SCS14A	1	80370611-01200
e-4	1/4NPT, SCS14A	1	80370611-00200
e-5	Rc1/2, PVC	1	80025717-00100
e-6	1/2NPT, PVC	1	80025717-00200

# FEP Protective film unit

GTX□□R/U/F



## FEP Protective film unit Parts List\*

Key No.	Diaphragm size	Flange size	Description	Quantity	Part No.
1	φ 90	3B/80A	For GTX□□R/U (Excluding Tantalum)	1 set	80277987-00100
1			For GTX□□R/U/F (Tantalum)	1 set	80277987-00200
1	φ 60	3B/80A	For GTX□□F	1 set	80277987-00400
1		2B/50A	For GTX□□R (Excluding ASTM B575)	1 set	80277987-01000
1			For GTX□□U (Excluding ASTM B575), GTX□□F (Tantalum)	1 set	80277987-01100
1	φ 40	2B/50A	For GTX□□R (ASTM B575)	1 set	80277987-00500
1			For GTX□□U (ASTM B575), GTX□□F (Excluding Tantalum)	1 set	80277987-00600
1			1.5B/40A	For GTX□□R	1 set
1		For GTX□□R/F		1 set	80277987-00800
1		3B/80A	For GTX□□F (Excluding Tantalum)	1 set	80277987-00900

\*Not available for high temperature (code B), high temperature vacuum (code C) and high temperature high vacuum service (code D) of fill fluid.