

Fig.1

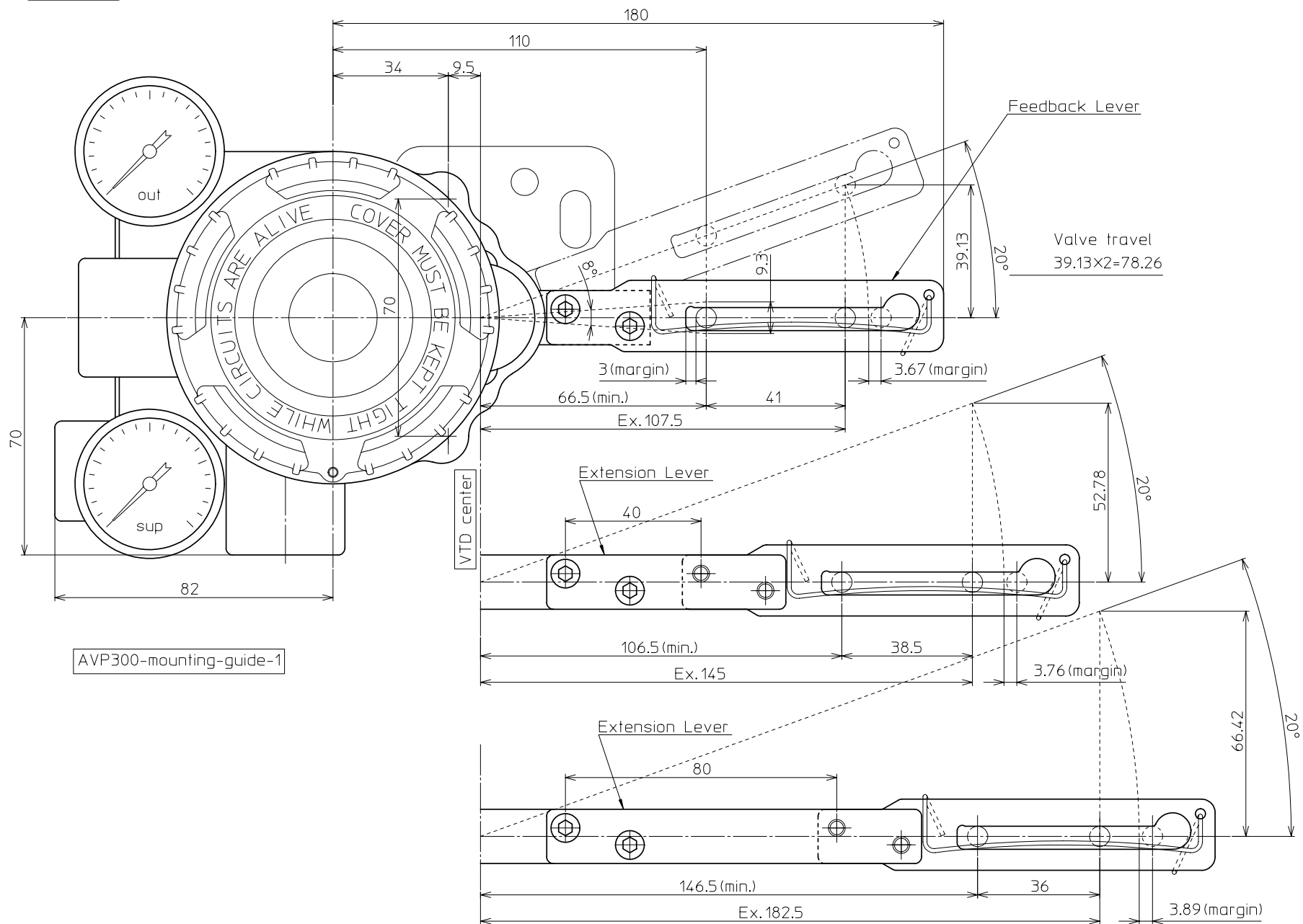




Fig.3

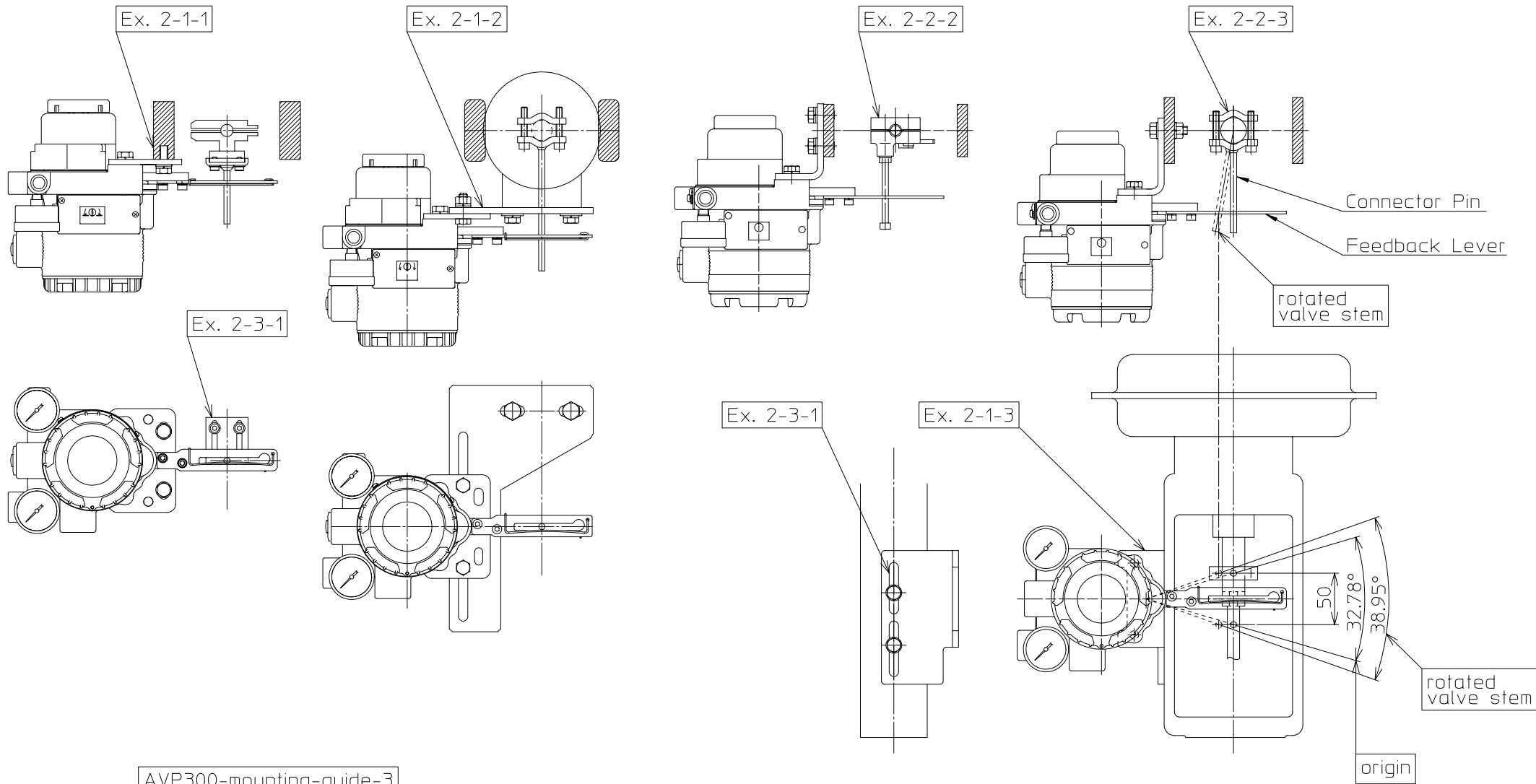


Fig.4

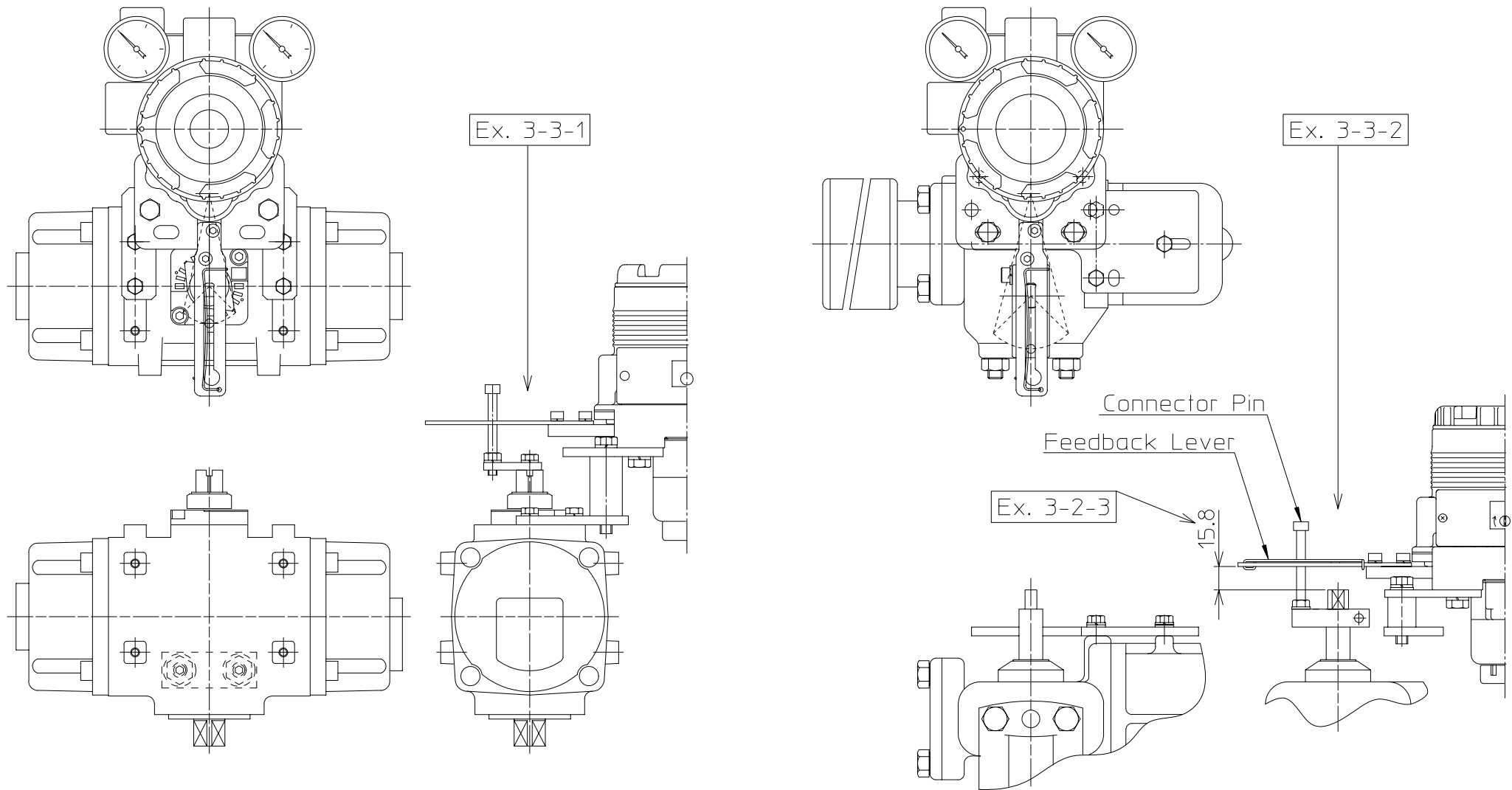
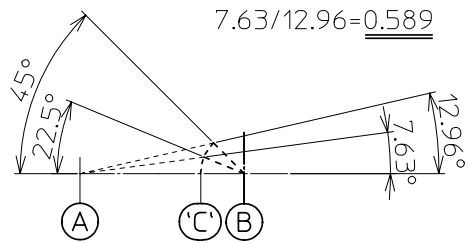


Fig.5



AVP software compensate non-linearity for the mounting position shown in the right figure, i.e., A and B should be on the same side of C.

