

Single Acting Type Pneumatic Valve Positioner Model HTP

Introduction

Model HTP pneumatic valve positioner provides improvement of dynamic and static characteristics of control valve and satisfies many requirements referring to such process needs as split range action of actuator, changing from direct to reverse action and characteristics change.

Standard specifications

Input : 0.2~1.0kgf/cm² (standard),

0.2~0.6kgf/cm²,

0.6~1.0kgf/cm² are available.

Output characteristics : Linear, Equal percentage and Quick opening.

Supply air pressure : 1.4~4.0kgf/cm² (140~390kPa)

Air consumption : 7Nℓ /min. or under (normal state, supply air pressure 1.4kgf/cm² (140kPa))

Maximum capacity of air flow : 200Nℓ /min. (supply air pressure 1.4kgf/cm² (140kPa))

Pneumatic tubing connection : Rc $\frac{1}{4}$ internal thread

Ambient temperature : -25~+60°C

Performance :

Accuracy ; ±1% FS

Dead band ; Within 0.1% FS

Travel adjustable range ; 12~100mm,
6~12mm (optional)

Stroke speed (max.) : 10mm/sec. (when with model VA1 actuator.)

Additional specifications :

With pressure gage and bypass (standard)

With pressure gage

Without pressure gage and bypass

Corrosion-resistant and silver finish : (Semi-standard specification Y138. As specified when ordering.)

Corrosion-resistant (Acryl baking) finish (Y138A);

Resistance for corrosive gases.

Corrosion-proof (Epoxy baking) finish (Y138B);

Resistance for corrosive liquids.

Silver-normal (Acryl baking) finish (Y137C);

Protection for temperature rise of device caused by direct sun light, radiation heat, etc.

Silver-corrosion-resistant (Acryl baking) finish (Y138D);

Protection for above-mentioned temperature rise and resistance for corrosive gases.

(Notes : Silver finish is not applicable for alkaline gases)

Net weight : 2.8kg (standard model)

Housing material : Aluminum alloy casting

Finish : Acryl baking finish (For corrosion-resistant and silver finish, refer to the optional specification.)

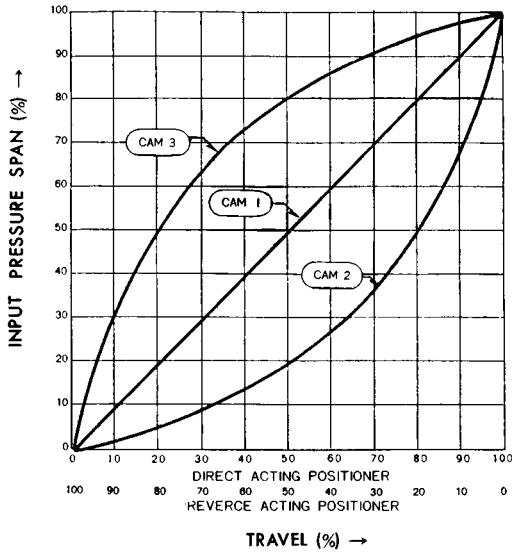
Color of finish : Dark beige (Smooth tone finish)



Exterior View



Interior View



Cam characteristics :

Linear (cam 1, standard) and two other kinds. By selecting the other two cams, valve characteristics can be approximated as follows :

(1) For reverse acting valve

- | | | |
|-------|---|---|
| Cam 2 | } | <ul style="list-style-type: none"> • Linear characteristic valve plug
→ Quick opening characteristic • Equal percentage characteristic valve plug
→ Linear characteristic |
|-------|---|---|

- | | | |
|-------|---|--|
| Cam 3 | } | <ul style="list-style-type: none"> • Linear characteristic valve plug
→ Equal percentage characteristic • Quick opening valve plug
→ Linear characteristic |
|-------|---|--|

(2) For direct acting valve

The effect of cams 2 and 3 applied to direct action valves is reversed as compared with the case of reverse action valves.

Figure 1. Cam Characteristics

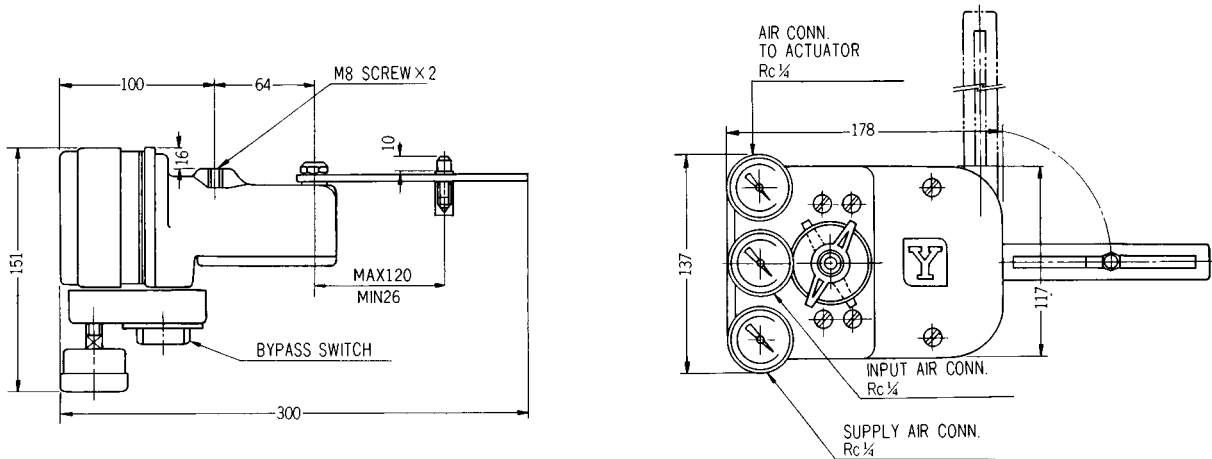


Figure 2. External Dimensions

Ordering Information

When ordering, please specify :

- 1) Model No.
- 2) Input
- 3) Supply air pressure
- 4) Actuator model No.
- 5) Output characteristics

Specifications are subject to change without notice.

Yamatake Corporation

Totate International Building
2-12-19 Shibuya
Shibuya-ku Tokyo 150-8316
Tel : 81-3-3486-2270
Fax: 81-3-3486-2593

Yamatake-SIC Control Systems Co., Ltd.
Shanghai Yamatake Jinshan Control Instruments Co., Ltd.
Yamatake Korea Co., Ltd.
Yamatake (Thailand) Co., Ltd.
Yamatake Philippines, Inc.
PT. Yamatake Berca Indonesia
Yamatake Controls Singapore Pte. Ltd.
YCV Corporation

: China 86-10-6326-9844/55
: China 86-21-5793-5334
: Korea 82-2-785-0280-2
: Thailand 66-2-210-0900-7
: Philippines 63-2-817-6452
: Indonesia 62-21-230-5538/5539
: Singapore 65-778-5966
: U.S.A. 1-602-548-1800

YAMATAKE

Savemation

Saving through Automation

Yamatake Industrial Systems Co.,Ltd.

<http://www.yamatake.co.jp/>

This has been printed on recycled paper.

9908-Y/Y