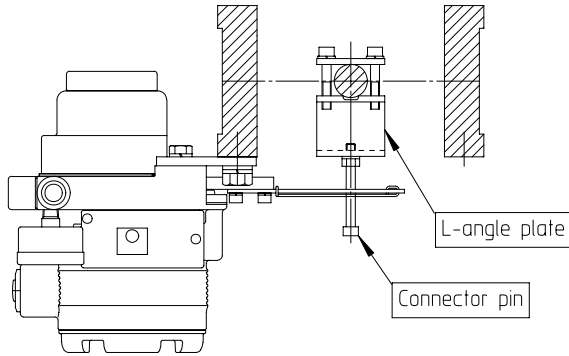
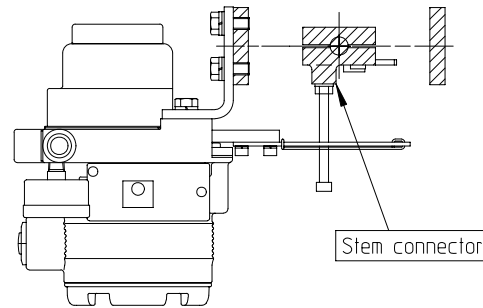


The followings are some typical examples of mounting AVP300 to linear actuator

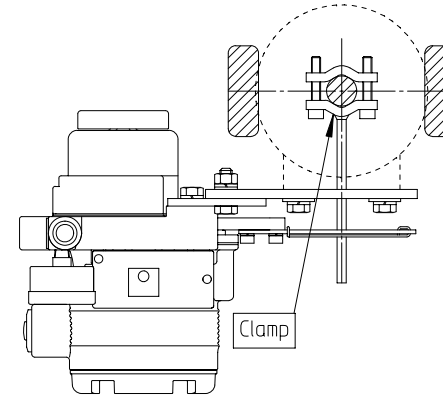
Ex : Using L-angle plate



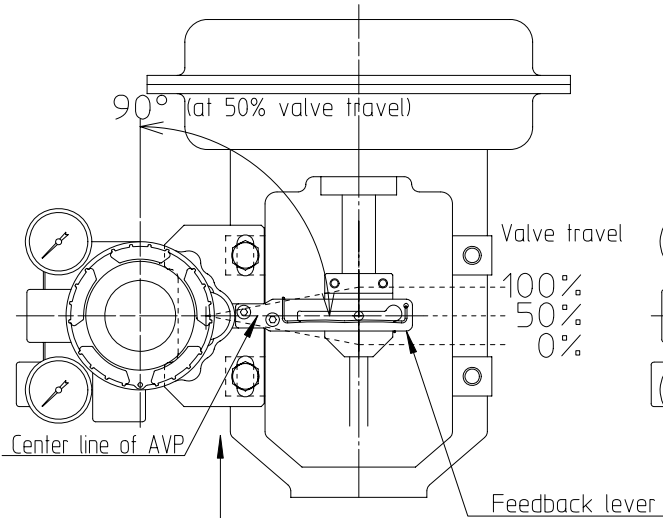
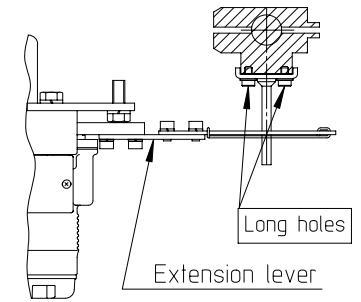
Ex : Using stem connector



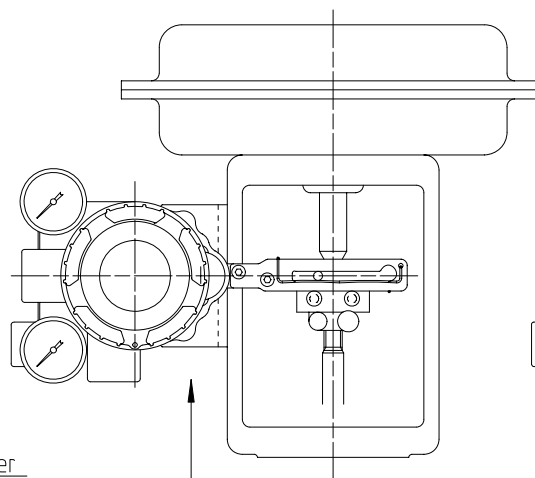
Ex : Using connector pin with clamp



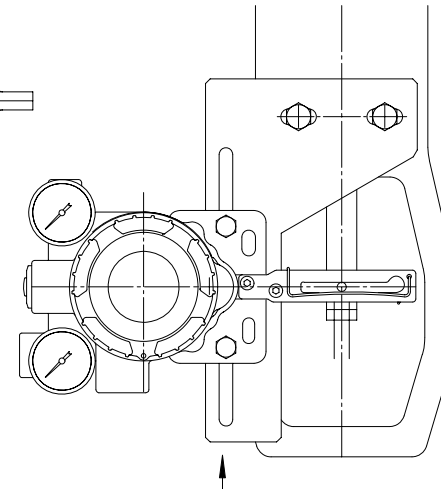
Ex : Using connector pin with long holes



Ex : Front mounting to yoke

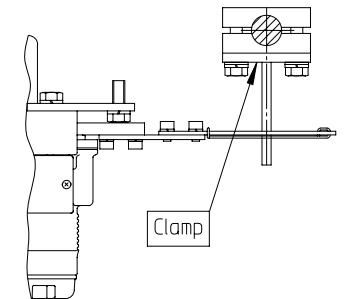


Ex : Side mounting to yoke



Ex : Upper mounting to yoke

Ex : Using connector pin with clamp



- <Note> 1. AVP should be mounted so that feedback lever comes in parallel with center line of AVP when the valve travel is 50%.
2. Screws should be tightend referring to the table of tightening torque.

Tightening torque for stainless screw

| Size | M5 | M6 | M8 | M10 | M12 |
|-------------------------|-----|-----|----|-----|-----|
| Tightening torque [N·m] | 4.5 | 7.5 | 18 | 37 | 63 |