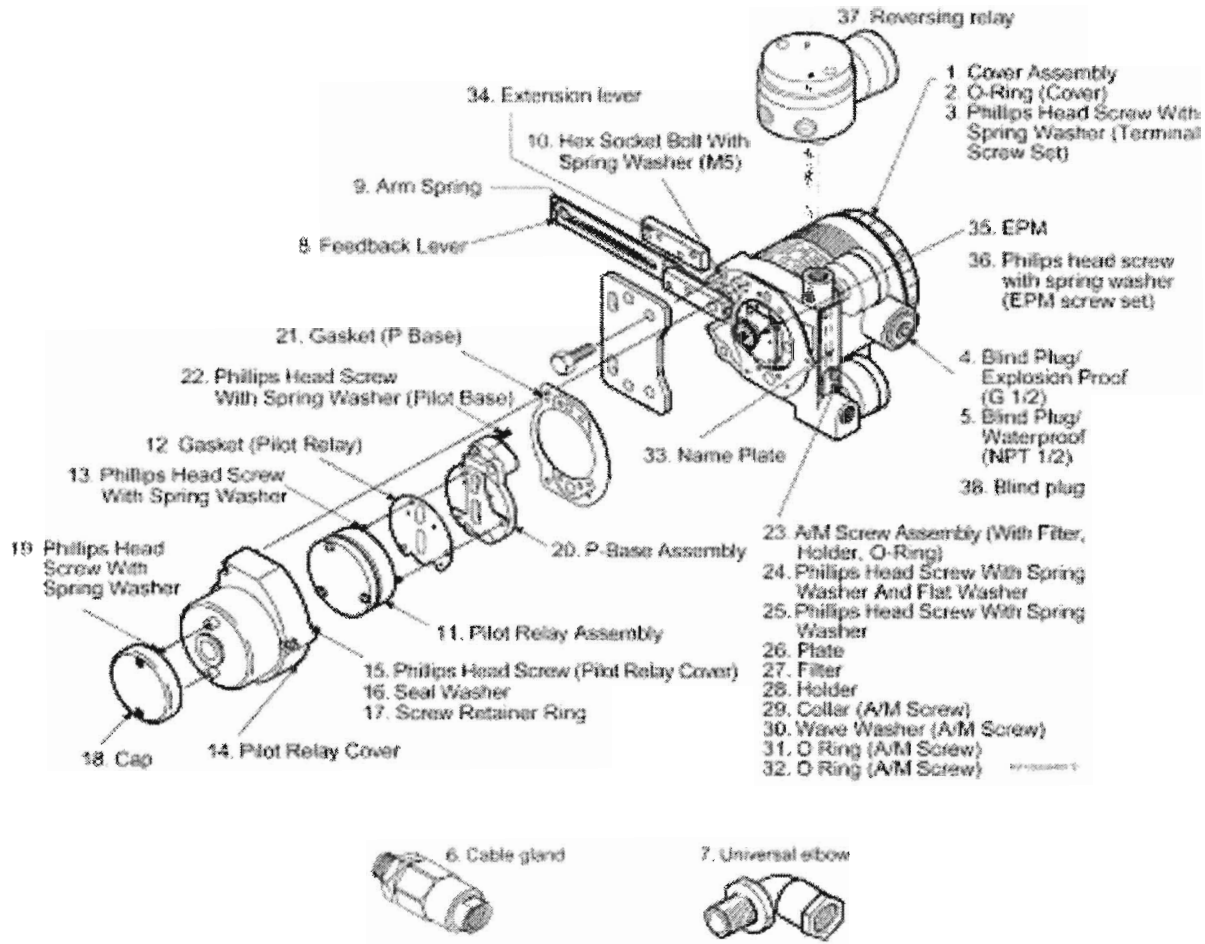


13. Smart Valve Positioner (AVP)

13-1. Assembly diagram: AVP Positioner



13-2. AVP Positioner Parts (1/2)

(1,000 yen)

| No. | Description   | Part No.       | Price            | Qty |
|-----|---|----------------|------------------|-----|
| 1   | Cover assembly (With Phillips head screw and O-ring) (standard finish)  | 80377007-00100 | [REDACTED]       | 1   |
|     | (Corrosion-proof finish)  | 80377007-00200 |                  | 1   |
|     | (Silver-normal finish)  | 80377007-00300 |                  | 1   |
| 2   | O-ring (cover)  | 80020935-84500 | [REDACTED]       | 1   |
| 3   | Phillips head screw with spring washer (terminal screw) set   | 80277581-0010V | [REDACTED]       | 5   |
| 4   | Blind plug/Explosion-proof (G1/2)   | 80377115-00100 | [REDACTED]       | 1   |
| 5   | Blind plug/Waterproof (NPT1/2)  | 80277971-00100 | [REDACTED]       | 1   |
| 38  | Blind plug (M20×1.5)  | 80377205-00100 | [REDACTED]       | 1   |
| 6   | Flameproof cable gland (for input signal cable conduit of Model AVP300/301/302/303 before July, 03)               | 80343903-0030V | [REDACTED]       | 1   |
|     | Flameproof cable gland (for input signal cable conduit of Model AVP200/201/202/203 before July, 03)               | 80377547-00300 | [REDACTED]       | 1   |
|     | Flameproof cable gland (for input signal cable conduit of Model AVP300/301/302/303/200/201/202/203 after Aug, 03) | 80377921-00300 | [REDACTED]       | 1   |
|     | Flameproof cable gland (for remote cable conduit of Model AVP200/201/202/203 before Dec, 03)                      | 80377547-00200 | [REDACTED]       | 1   |
|     | Flameproof cable gland (for remote cable conduit of Model AVP200/201/202/203 after Jan, 04)                       | 80377921-00200 | [REDACTED]       | 1   |
| 7   | Universal elbow (G1/2)  | 80357206-1070V | [REDACTED]       | 1   |
| 8   | Feedback lever assembly   | 80377049-00100 | [REDACTED]       | 1   |
| 9   | Arm spring  | 80377149-00100 | Included in No.8 |     |
| 10  | Hex socket bolt with spring washer (M5)   | 80377127-00100 | [REDACTED]       | 2   |
| 11  | Pilot relay assembly  | 80377050-0010H | [REDACTED]       | 1   |
| 12  | Gasket packing (pilot relay)  | 80377072-00100 | [REDACTED]       | 1   |
| 13  | Phillips head screw with spring washer  | HS398204-30000 | [REDACTED]       | 3   |
| 14  | Pilot relay cover (Standard finish)   | 80377064-00100 | [REDACTED]       | 1   |
|     | (Corrosion-proof finish)  | 80377064-00200 | [REDACTED]       | 1   |
|     | (Silver-normal finish)  | 80377064-00300 | [REDACTED]       | 1   |
| 15  | Phillips head screw (pilot relay cover)   | HS398204-25000 | [REDACTED]       | 3   |
| 16  | Seal washer   | 80357789-00100 | [REDACTED]       | 3   |
| 17  | Screw retainer ring   | 80235519-01000 | [REDACTED]       | 3   |
| 18  | Cap (Standard finish)   | 80377066-00100 | [REDACTED]       | 1   |
|     | (Corrosion-proof finish)  | 80377066-00200 | [REDACTED]       | 1   |
|     | (Silver-normal finish)  | 80377066-00300 | [REDACTED]       | 1   |
| 19  | Phillips head screw with spring washer  | HS398203-08000 | [REDACTED]       | 2   |
| 20  | P-base assembly   | 80377069-00100 | [REDACTED]       | 1   |
| 21  | Gasket packing (P Base)   | 80377068-00100 | [REDACTED]       | 1   |
| 22  | Phillips head screw with spring washer (Pilot base)   | HS398204-20000 | [REDACTED]       | 4   |
| 23  | A/M screw assembly with filter, holder, O-ring  | 80377074-00100 | [REDACTED]       | 1   |
| 24  | Phillips head screw with spring washer and flat washer  | 80277581-0020V | [REDACTED]       | 1   |
| 25  | Phillips head screw with spring washer  | HS398204-0800V | [REDACTED]       | 1   |
| 26  | Plate   | 80377089-00100 | [REDACTED]       | 1   |
| 27  | Filter  | 80377077-00100 | [REDACTED]       | 1   |
| 28  | Holder  | 80377078-00100 | [REDACTED]       | 1   |
| 29  | Collar (A/M screw)  | 80377088-00100 | [REDACTED]       | 1   |
| 30  | Wave washer (A/M screw)   | 80377073-00100 | [REDACTED]       | 1   |
| 31  | O-ring (A/M screw)  | 80020935-21600 | [REDACTED]       | 1   |
| 32  | O-ring (A/M screw)  | 80020935-31300 | [REDACTED]       | 2   |
| 33  | Name plate  | 80377079-00100 | [REDACTED]       | 1   |
| 34  | Extension lever   | 80377142-00100 | [REDACTED]       | 1   |
| 35  | Magnet unit assembly (EPM) (Direct positioner)  | 80377010-00100 | [REDACTED]       | 1   |
|     | (Reverse positioner)  | 80377010-00200 | [REDACTED]       | 1   |
| 36  | Phillips head screw with spring washer (EPM screw set)  | 80377046-00100 | [REDACTED]       | 2   |

13-2. AVP Positioner Parts (2/2)

(1,000 yen)

| No. | Description  | Part No.       | Price | Qty |
|-----|--|----------------|-------|-----|
| 37  | Reversing Relay (Without pressure gauge)                                 |                |       |     |
|     | (Standard finish, air piping connection Rc1/4)                           | 80377323-0010C |       | 1   |
|     | (Corrosion-proof finish, air piping connection Rc1/4)                    | 80377323-01100 |       | 1   |
|     | (Silver-normal finish, air piping connection Rc1/4)                      | 80377323-02100 |       | 1   |
|     | (Standard finish, air piping connection 1/4NPT)                          | 80377323-0020C |       | 1   |
|     | (Corrosion-proof finish, air piping connection 1/4NPT)                   | 80377323-01200 |       | 1   |
|     | (Silver-normal finish, air piping connection 1/4NPT)                     | 80377323-02200 |       | 1   |
|     | Magnet switch for external zero and span adjuster                        | 80377080-00100 |       | 1   |
|     | insect screen  | 80377143-00100 |       | 2   |
|     | KZ03 pressure regulator Mounting bracket kit for AVP (single acting) *1  |                |       |     |
|     | (SUS.Rc1/4)  | 80377358-02100 |       | 1   |
|     | (SUS.1/4NPT)   | 80377358-02200 |       | 1   |
|     | KZ03 Pressure regulator. Mounting bracket kit for AVP (double acting) *1 |                |       |     |
|     | (SUS.Rc1/4)  | 80377358-12100 |       | 1   |
|     | (SUS.1/4NPT)   | 80377358-12200 |       | 1   |
|     | Packing  | 80377091-00100 |       | 1   |
|     | Cap  | 80377093-00100 |       | 1   |
|     | Mini U packing   | 80377094-00100 |       | 1   |

- \*1 Includes the following items below:
- Mounting bracket to connect the KZ03 to AVP body.
  - Adaptor for KZ03/AVP air regulator
  - O-ring
  - Screws and bolts
  - Taper plug with hex-head hole (for single acting)

13-5. SVX Positioner Parts

(1,000 yen)

| No. | Description   | Part No.                | Price | Qty | Total |
|-----|---|-------------------------|-------|-----|-------|
| 1   | Cover assembly (With packing and M4 screw)                    | 80377605-00100          |       | 1   | 3     |
| 2   | Pilot relay assembly  | Refer to AVP parts list |       |     |       |
| 3   | Gasket packing (Pilot)  | 80377625-00100          |       | 1   | 1     |
| 4   | Pilot relay cover assembly (With Cap and screw,retainer ring) | 80377622-00100          |       | 1   | 2     |
| 5   | Lever kit (for fork lever type)                               | 80377778-00100          |       | 1   | 5     |
| 6   | A/M screw assembly with filter, holder, O-ring                | Refer to AVP parts list |       |     |       |
| 7   | T-joint kit for single (for NPT)                              | 80377649-00100          |       | 1   | 5     |
| 8   | T-joint kit for single (for Rc)                               | 80377649-00200          |       | 1   | 5     |

