

Specifications

Input: 0.2~1.0 kgf/cm²

Air connection: Rc ¼ or ¼" NPT internal thread

Electrical conduit connection: G ½ internal thread
for field mount type.

Power supply: DC21.6~44V

Output: 4~20mA DC (External load; 600 ohms at 24V, 1400 ohms at 42V.)

Ambient temperature:

Indoor mount type; 0~50°C

Field mount type; -30~+80°C

Relative humidity: 10~90% RH

Construction:

Indoor mount type;

Field mount type;

Explosionproof type; When with an explosion-proof terminal box, Class d2G4 of JIS C0903 code approved (JIS F8001 Class 3 splash-proof included). Also suitable for the NEC Class 1, Group C and D, Division 1.

Weatherproof type; Equivalent to JIS F8001 Class 3 splash-proof construction.

Intrinsic safety type; Class i3nG5 of JIS C0903 code for hazardous location, including above splash-proof construction.

(Note: Intrinsic safety type . . .
Power supply; DC23~27.5V
Ambient temperature limit; -30~+60°C)

Accuracy: ±0.25% FS

Dead band: Within 0.05% FS (Sensitivity is 0.025% FS)

Material:

Case of field mount type; Aluminum alloy shell mold.

Finish:

Indoor mount type; Case Zinc plated

Cover Dark beige (Munsell 10YR 4.7/0.5)

Field mount type; Case Dark beige (Munsell 10YR 4.7/0.5)

Cover Light beige (Munsell 4Y 7.2/1.3)

Mounting:

Indoor mount type; Wall or rack mounting.

Field mount type; Wall or 2 inch pipe of either vertical or horizontal.

Net weight:

Indoor mount type; Approx. 2kg

Field mount type; Approx. 6kg (Add 1.6kg for explosion-proof terminal box with adapter.)

Options (Accessories)

Following accessories optionally available.

Item (1) is the standard option.

(1) **Explosionproof terminal box: 3 way.**

Flame-proof conduit screw-coupling type. (When flame-proof packing type is employed, the JIS explosionproof requirements can be met by using the adapter in addition.)

Item (2)~(4) are the semi-standard options.

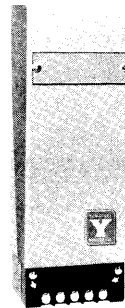
(2) **PTB (West Germany) approved intrinsic safety: (Y 123)**

Power supply; DC23~28V

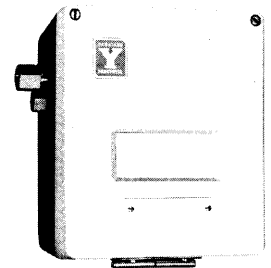
Ambient temperature limit; -30~+40°C

PRESSURE TO CURRENT (P/I) TRANSDUCER

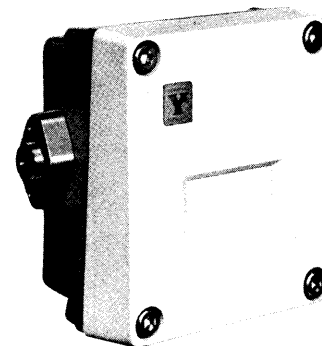
MODEL; NOX 120



Indoor
Mount Type



Field Mount Type
(Weatherproof and
Intrinsic-safety Type)



Field Mount Type
(Explosionproof Type)

(3) **Corrosion-resistant and silver finish (Y138A ~ D)**

Corrosion-resistant (Acryl baking) finish (Y 138A);

Resistance for corrosive gases.

Corrosion-proof (Epoxy baking) finish (Y 138B);

Resistance for corrosive liquids.

Silver-normal (Acryl baking) finish (Y 138C);

Protection for temperature rise of device caused by direct sun light, radiation heat, etc.

Silver-corrosion-resistant (Acryl baking) finish (Y 138D);

Protection for above-mentioned temperature rise and resistance for corrosive gases.

(Note: Silver finish is not applicable for alkaline gases.)

(4) **Induction lightning arrester (Y 145)**

Yamatake-Honeywell Co. Ltd.
Industrial Systems Division

Sales Headquarters : Nagai International Bldg., 2-12-19 Shibuya, Shibuya-ku, Tokyo, 150 Japan
Tel: (03) 486-2141 Telex: J22902 Cable: YAMATAKECO

Model Number Table

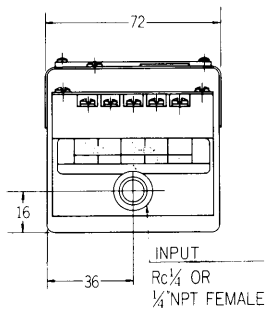
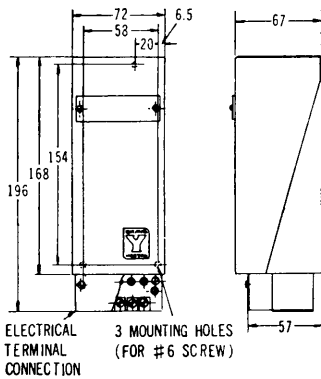
Ex. NOX 120-OS-8A

Basic Model No.	Selections		Options	Description
	Power Supply	Type of Case		
NOX 120	-0			Pressure to Current (P/I) Transducer
				DC 21.6~44V
		S		Indoor Mount Type
		W		Weatherproof Type
	E		Explosionproof Type	
	H		Intrinsic-safety Type	
			-X	No Option
			-8*	Explosionproof Terminal Box
		-8A*	" (With One Flame-proof Packing Type) Cable Connecting Adapter	
		-8B*	" (With Two Flame-proof Packing Type) Cable Connecting Adapters	

Note:
When specifying semi-standard option (Y□), please write as: NOX 120Y-OS-8A (Y□).

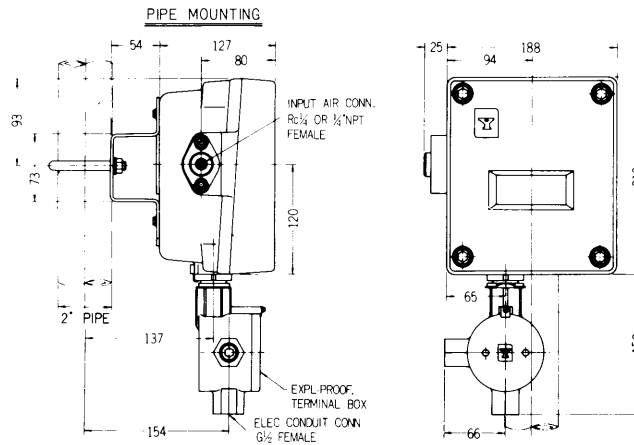
Dimensions & Connections

Indoor Mount Type

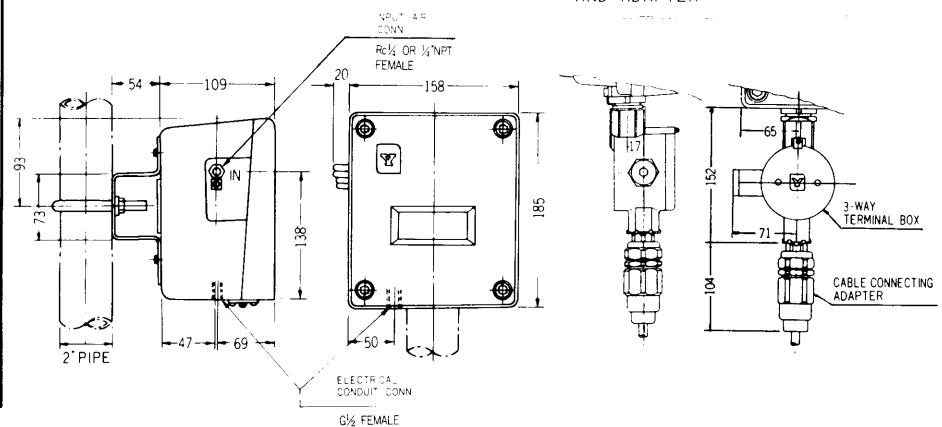


Field Mount Type

Explosionproof Type



Weather-proof Type and Intrinsic-safety Type



Ordering Information

When ordering, please specify:

- 1) Model No.
- 2) Options

* Specifications are subject to change without notice.

* Reference instruction manual . . . OM2-592-120