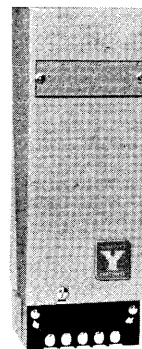
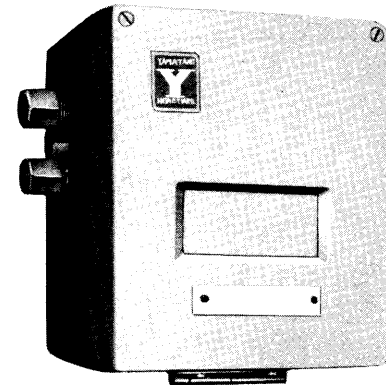


## Specifications

- Input:** 4~20 mA DC  
**Input impedance:** 250Ω  
**Air connection:** Rc $\frac{1}{4}$ (PT $\frac{1}{4}$ ) or  $\frac{1}{4}$  NPT internal thread  
**Electrical conduit connection (Weatherproof and Intrinsic safety type):** G $\frac{1}{2}$ (PF $\frac{1}{2}$ ) internal thread  
**Supply pressure:** 1.4±0.14kgf/cm<sup>2</sup>  
**Output pressure:** 0.2~1.0kgf/cm<sup>2</sup>  
**Air consumption:** 1 Nℓ/min. (Output 50% and balanced state.)  
**Ambient temperature:**  
 Indoor type; 0~50°C  
 Weatherproof and Intrinsic safety type; -30~+80°C  
**Relative humidity:** 10~90% RH  
**Transducer housing:**  
 Indoor type; CurrentpaK case  
 Weatherproof type; Equivalent to JIS F8001 class 3 splash proof.  
 Intrinsic safety type; Class i3nG5 of JIS C 0903 code for hazardous location, including above splash proof construction.  
**Accuracy:** ±0.25% FS  
**Dead band:** 0.05% FS or less (Sensitivity is 0.025% FS)  
**Material:** Aluminum alloy shell molded (Weatherproof and intrinsic safety type housing.)  
**Finish:** Acryl baking finish (For corrosion-resistant and silver finish, refer to the optional specification.)  
**Color of finish:**  
 Indoor type; Case . . . . Zinc plated  
 Cover . . . Dark beige (Munsell 10YR 4.7/0.5)  
 Weatherproof and Intrinsic safety type;  
 Case . . . . Dark beige (Munsell 10YR 4.7/0.5)  
 Cover . . . Light beige (Munsell 4Y 7.2/1.3)  
**Mounting:**  
 Indoor type; Wall or rack mounting.  
 Weatherproof and Intrinsic safety type;  
 Wall or 2 inch pipe of either vertical or horizontal.  
**Net weight:**  
 Indoor type; Approx. 2 kg  
 Weatherproof and Intrinsic safety type; Approx. 6 kg

**CURRENT TO PRESSURE (I/P)  
 TRANSDUCER  
 MODEL ; NOX 110**


Indoor Type

Weatherproof and  
Intrinsic Safety Type

## Options (Accessories)

- Following accessories are optionally available.  
 (1) Air-set (Filter and pressure regulator.)  
 Item (2), (3) are the semi-standard options.  
 (2) PTB (West Germany) approved intrinsic safety (Y 124)  
 Power supply for signal: DC23~28V  
 Ambient temperature: -30~+40°C  
 (3) Corrosion-resistant and silver finish (Y 138A~D)  
 Corrosion-resistant (Acryl baking) finish (Y 138A);  
 Resistance for corrosive gases.  
 Corrosion-proof (Epoxy baking) finish (Y 138B);  
 Resistance for corrosive liquids.  
 Silver-normal (Acryl baking) finish (Y 138C);  
 Protection for temperature-rise of device caused by direct sun-light, radiation heat, etc.  
 Silver-Corrosion-resistant (Acryl baking) finish (Y 138D)  
 Protection for above-mentioned temperature rise and resistance for corrosive gases.  
 (Note; Silver finish is not applicable for alkaline gases.)

**Yamatake-Honeywell Co. Ltd.**  
**Industrial Systems Division**

**Sales Headquarters :** Nagai International Bldg., 2-12-19 Shibuya, Shibuya-ku, Tokyo, 150 Japan  
 Tel: (03) 486-2141 Telex: J22902 Cable: YAMATAKECO

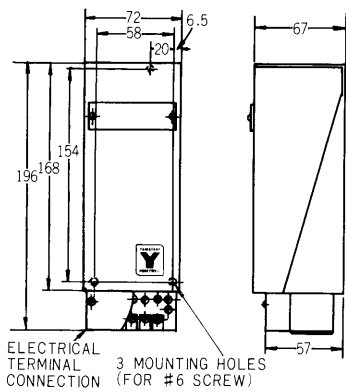
**Model Number Table**

Basic Model No.	Power Supply	Construction	Option	Description
NOX 110	-0			Current to Pressure (I/P) Transducer
				For DC 24~42 V
		S		Indoor Type
	W		Weatherproof Type	
	H		Intrinsic Safety Type	
			-X	No
			-7	Air-set

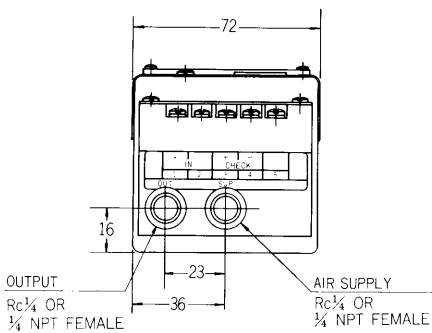
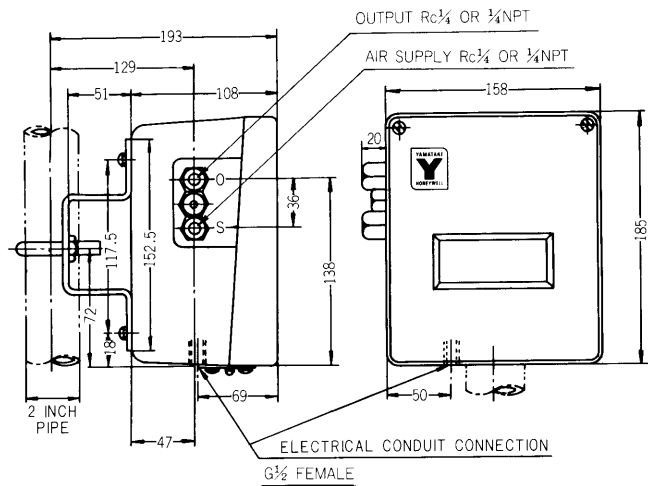
Note:  
When specifying semi-standard option (Y □), please write as:  
NOX 110Y-OS-X (Y 124).

**Overall Dimensions & Customer Connection**

**Indoor Type**



**Weatherproof and Intrinsic Safety Type**



**Ordering Information**

When ordering, please specify:

- 1) Model No.
- 2) Option

\*Specifications are subject to change without notice.

\*Reference instruction manual . . . . . OM2-592-110